

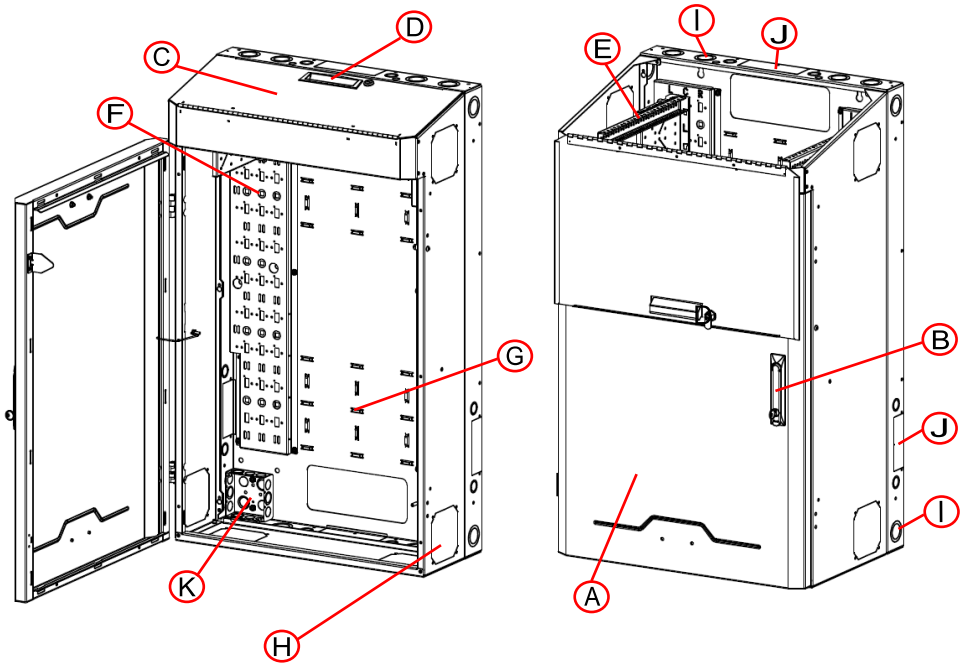


Models:

- VWMSD-4RU-36-B
- VWMSD-4RU-42-B
- VWMSD-8RU-36-B
- VWMSD-8RU-42-B

# VWM Series Wall-Mount Cabinet - Split Door

- A. Reversible Front Door
- B. Locking Swing Handle
- C. Top Door
- D. Top Door Handle with Lock
- E. Mounting Rails
- F. Cable Management Mounts
- G. Hook & Loop Strap Mounts
- H. Fan Knockouts
- I. Cable Conduit Knockouts
- J. Brush Knockout
- K. Junction Box



### Cabinet Includes:

- (2) Fixed Rails (partially shown)
  - (2) Power Mounting Brackets
  - (2) Keys with Door Lock
  - (4) Air Knockout Guards
  - (1) Owner's Manual
- Includes Associated Hardware

Legrand offers a 5 year warranty on all Vertical Wall-Mount Cabinets.

The Legrand VWM Series has a full line of accessories to enhance network cable management. See data sheet for details.

## Specifications



| Models                            | VWMSD-4RU-36-B   | VWMSD-4RU-42-B      | VWMSD-8RU-36-B      | VWMSD-8RU-42-B      |
|-----------------------------------|--|---------------------|---------------------|---------------------|
| Rack Units                        | 4RU  | 4RU                 | 8RU                 | 8RU                 |
| Equipment Vertical Mounting Depth | 31 in  | 35.6 in             | 31 in               | 35.6 in             |
|                                   | Note: this is maximum allowable vertical space including any cabling or protrusions from the equipment.                            |                     |                     |                     |
| UL 2416 Certified Load Rating*    | 150 lbs  | 150 lbs             | 150 lbs             | 150 lbs             |
| Unit Dimensions H x W x D         | 36 x 26 x 12 in  | 42 x 26 x 12 in     | 36 x 26 x 18 in     | 42 x 26 x 18 in     |
| Shipping Dimensions H x W x D     | 39.5 x 29 x 15.5 in  | 45.5 x 29 x 15.5 in | 39.5 x 29 x 21.5 in | 45.5 x 29 x 21.5 in |
| Unit Weight                       | 71 lbs   | 79 lbs              | 84 lbs              | 95 lbs              |
| Shipping Weight                   | 81 lbs   | 89 lbs              | 94 lbs              | 105 lbs             |
| Certifications/Compliances        | TAA Compliant, UL2416 Certified, PCI Compliant, EIA-310-E Compliant, RoHS Compliant, Product Environmental Profile (PEP) Compliant |                     |                     |                     |

\* These cabinets are load rated to 150lbs per UL2416 certification. This rating is in addition to the weight of the unit and is certified at a single set of fixed rails.



# VWM Series Wall-Mount Cabinet - Split Door

**VWMSD-4RU-36-B** - 4RU Vertical Wall-Mount Cabinet with Split Door - 36in

**VWMSD-4RU-42-B** - 4RU Vertical Wall-Mount Cabinet with Split Door - 42in

**VWMSD-8RU-36-B** - 8RU Vertical Wall-Mount Cabinet with Split Door - 36in

**VWMSD-8RU-42-B** - 8RU Vertical Wall-Mount Cabinet with Split Door - 42in

Dimensions: INCHES

