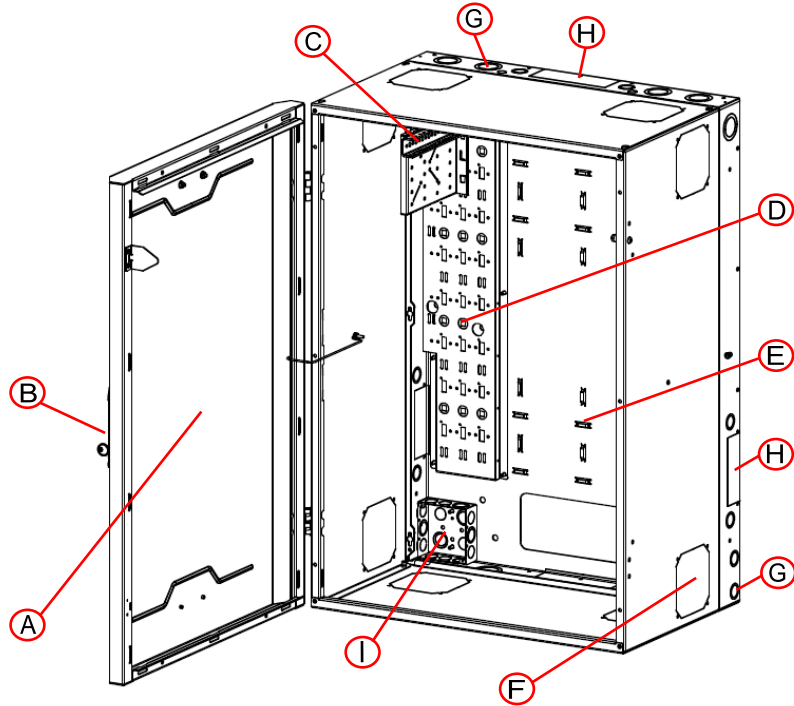




VWM Series Wall-Mount Cabinet - Full Door

Models:
VWMFD-4RU-36-B
VWMFD-8RU-36-B

- A. Reversible Front Door
- B. Locking Swing Handle
- C. Mounting Rails
- D. Cable Management Mounts
- E. Hook & Loop Strap Mounts
- F. Fan Knockouts
- G. Cable Conduit Knockouts
- H. Brush Knockout
- I. Junction Box



Cabinet Includes:

- (2) Fixed Rails (partially shown)
 - (2) Power Mounting Brackets
 - (2) Keys with Door Lock
 - (4) Air Knockout Guards
 - (1) Owner's Manual
- Includes Associated Hardware

Legrand offers a 5 year warranty on all Vertical Wall-Mount Cabinets.

The Legrand VWM Series has a full line of accessories to enhance network cable management. See data sheet for details.

Specifications



Models	VWMFD-4RU-36-B	VWMFD-8RU-36-B
Rack Units	4RU	8RU
Equipment Vertical Mounting Depth	31 in	31 in
	Note: this is maximum allowable vertical space including any cabling or protrusions from the equipment.	
UL 2416 Certified Load Rating*	150 lbs	150 lbs
Unit Dimensions H x W x D	36 x 25 x 12 in	36 x 25 x 18 in
Shipping Dimensions H x W x D	39.5 x 29 x 15.5 in	39.5 x 29 x 21.5 in
Unit Weight	71 lbs	79 lbs
Shipping Weight	84 lbs	94 lbs
Certifications/Compliances	TAA Compliant, UL2416 Certified, PCI Compliant, EIA-310-E Compliant, RoHS Compliant, Product Environmental Profile (PEP) Compliant	

* These cabinets are load rated to 150lbs per UL2416 certification. This rating is in addition to the weight of the unit and is certified at a single set of fixed rails.



VWM Series Wall-Mount Cabinet - Full Door

VWMFD-4RU-36-B - 4RU Vertical Wall-Mount Cabinet with Full Door - 36in

VWMFD-8RU-36-B - 8RU Vertical Wall-Mount Cabinet with Full Door - 36in

Dimensions: INCHES

