

# SPECIFICATION SHEET



## Network Metered Power Distribution Unit

Network metered PDUs with load monitoring and notification thresholds

### OVERVIEW

Network Metered PDUs enable line level power metering in real time. Allowing remote monitoring of the load level, custom notifications, and user specified conditions. Each Network Metered PDU provides visibility and reporting of power usage on the PDUs Color LCD screen and to tablets, smart phones, or computers from nearly anywhere.

### FEATURES

- **Networked Controller:** Enables remote and local monitoring of the PDU and peripherals
- **Load Monitoring:** View the power being drawn for the entire PDU, receive notifications of potential issues or when near max amperage draw
- **User-Defined Notifications:** User-defined thresholds for power draw or environmental factors with notifications if threshold have been met
- **Remote Management:** Manage and configure the unit from any location
- **High-Resolution Color LCD:** Displays energy reading, current, and voltage; important configuration settings, alarm settings, and control outlets which simplifies commissioning
- **Integrated Locking Outlets on IEC Receptacles:** Eliminates the need for special locking cords
- **Rotatable Cord:** Enables maximum flexibility for routing the input plug—simplifying the installation of Zero U PDUs
- **Mounting Types:** Available in horizontal and vertical configurations to ensure power distribution is optimally located
- **PDU Linking:** Cascade up to 16 PDUs via Ethernet or USB—this can minimize port usage on network switches or consolidate accessibility to multiple PDUs from a single IP address
- **Hydraulic-Magnetic Breakers:** Provide less heat dependent local protection and quick recovery from circuit overload, by utilizing a two-step response curve—these breakers provide a delay on normal overcurrents, while tripping quickly on short circuits
- **Optional Environmental Sensors and Remote Locking:** Can alert to any threats of downtime or potential physical security breaches
- **Software Interoperability:** Seamlessly integrate into any monitoring software with open JSON-RPC interface  
Compatibility – SNMP, LUA, Java, JavaScript, and Perl

### ITEM DESCRIPTION

LP-41100 Rack PDU, Network Metered, Zero U, 12A, 120V,  
(10) 5-20R, 5-15P Cord

### LISTING AGENCIES/THIRD PARTY CERTIFICATIONS

- **RoHS:** Yes
- **UL Listed:** Yes
- **FCC:** Yes

designed to be better.™



# SPECIFICATION SHEET

## SPECIFICATIONS:

### Network Metered Power Distribution Unit LP-41100 - Rack PDU, Network Metered, Zero U, 12A, 120V, (10) 5-20R, 5-15P Cord

## SPECIFICATIONS

### FEATURES

- Energy Metering: Voltage (V), Current (A), Active Power (kW), Real Power (kVA), Energy (kWh), Power Factor
- Metering Accuracy: ISO/IEC 62053-21 1%
- Metering per Input Line: Yes
- Metering per Branch Circuit Breaker: No
- Metering per Output Receptacle: No
- Remote Outlet Switching: No
- Environmental Sensor Ready: Yes
- Replaceable Controller: No
- Compatible Sensors: Temperature, Humidity, Air Flow, Differential Pressure, Water Leak, and Contact Closure
- Networking: Two (10/100 BaseT) Ethernet ports. Optional WiFi (802.11a/b/g/n)
- Remote Management: HTTP(s); SSH; Telnet; RS-232 (Serial); Power IQ; SNMP version v2/v3; SMTP; JSON-RPC
- Cascading: Yes, Max 16 PDUs can be daisy chained using a single Ethernet or USB connection
- Onboard Display: Color, matrix LCD display : Voltage, current, or active power (per line or per breaker); Alarms; Configuration information (name, ratings, IP / Networking information); Auto-flip orientation
- Embedded Processor: ARM Cortex A5 500MHZ (Atmel A5D21B), 16MB SPI Flash, 64MB DDR2 RAM

### INPUT

- Input Plug: NEMA 5-15P (2P3W)
- Cord Length: 3 meters (9.84 feet) standard
- Cord Entry: Bottom-front feed
- Cable Type: IP44("splashproof")
- Number of Power Cords: 1
- Maximum Input Current: 15A
- Nominal Input Voltage: 120V, Single phase
- Rated Input Voltage: 100-120V
- Input Frequency: 50/60Hz
- Power Capacity: 1.2kVA at 100V, 1.4kVA at 120V

### OUTPUT

- Nominal Output Voltage: 120V
- Rated Output Voltage: 100-120V
- Receptacles (Output Connections): (10) NEMA 5-20R, 12A
- Securelock Support: No
- Cord Retention: Yes
- Overload Protection: N/A

### PHYSICAL

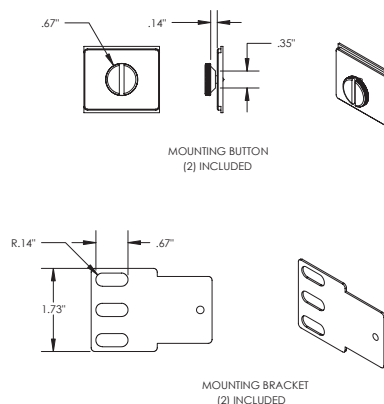
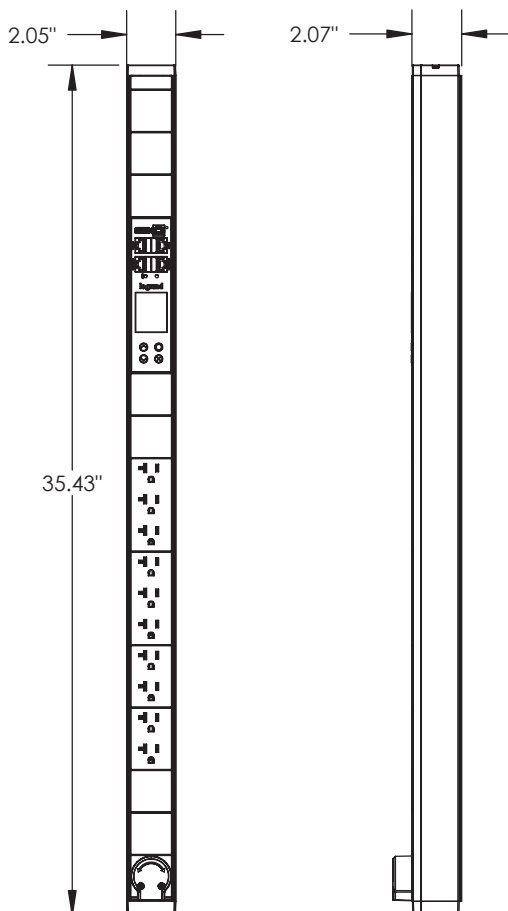
- Color: Black & Silver
- Unit Dimensions (WxDxH): 52mm x 50mm x 900mm; 2.0" x 2.0" x 35.4"
- Form Factor: Zero U
- Mounting: Vertical Button Mount  
Horizontal/Vertical Mounting Bracket

### ENVIRONMENTAL

- Operating Temperature: 45°C
- Operating Relative Humidity: 85%
- Operating Elevation: 0-10000ft

### CONFORMANCE

- Regulatory Approvals: UL Listed, Canada ICES-003, Part 15 Class A of the FCC rules, RoHS compliant
- Warranty: Standard 2 years manufacturer warranty



Legrand, North and Central America

60 Woodlawn Street  
West Hartford, CT 06110  
1.877.BY.LEGRAND (295.3472)  
www.legrand.us