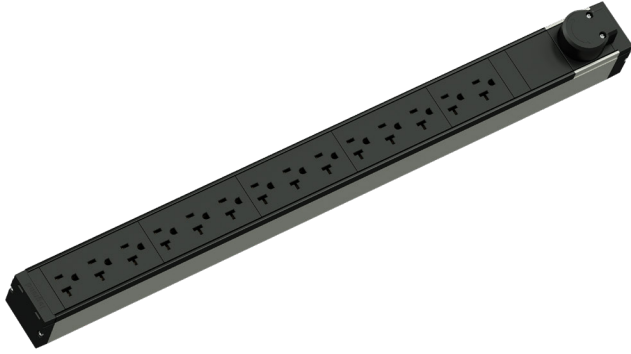


SPECIFICATION SHEET



Basic Power Distribution Unit

Basic PDUs are a reliable single-phase system to distribute power with a single input to multiple outputs

OVERVIEW

Single-phase basic PDUs deliver stalwart reliability and simple installation. Standardized power distribution enables cost-effective scaling, speed to deployment, and simplifies procurement due to a common platform.

FEATURES

- **Integrated Locking Outlets on IEC Receptacles:** Eliminates the need for special power cords that lock at the PDU
- **Rotatable Cord:** Enables maximum flexibility for routing the input plug—simplifying the installation of Zero U PDUs
- **Mounting Types:** Available in horizontal and vertical configurations to ensure power distribution is optimally located
- **Hydraulic-Magnetic Breakers:** Provide less heat dependent local protection and quick recovery from circuit overload by utilizing a two-step response curve—these breakers provide a delay on normal overcurrents, while tripping quickly on short circuits

ITEM DESCRIPTION

LP-21100 Rack PDU, Basic, Zero U, 12A, 120V, (14) 5-20R, 5-15P Cord

LISTING AGENCIES/THIRD PARTY CERTIFICATIONS

- **RoHS:** Yes
- **UL Listed:** Yes
- **FCC:** Yes

SPECIFICATION SHEET

SPECIFICATIONS:

Basic Power Distribution Unit LP-21100 - Rack PDU, Basic, Zero U, 12A, 120V, (14) 5-20R, 5-15P Cord

SPECIFICATIONS

INPUT

- Input Plug: NEMA 5-15P (2P3W)
- Cord Length: 3 meters (9.84 feet) standard
- Cord Entry: Bottom-front feed
- Cable Type: IP44 ("splashproof")
- Number of Power Cords: 1
- Maximum Input Current: 15A
- Nominal Input Voltage: 120V, Single phase
- Rated Input Voltage: 100-120V
- Input Frequency: 50/60Hz
- Power Capacity: 1.2kVA at 100V, 1.4kVA at 120V

OUTPUT

- Nominal Output Voltage: 120V
- Rated Output Voltage: 100-120V
- Receptacles (Output Connections): (14) NEMA 5-20R, 16A
- Securelock Support: No
- Cord Retention: No
- Overload Protection: N/A

PHYSICAL

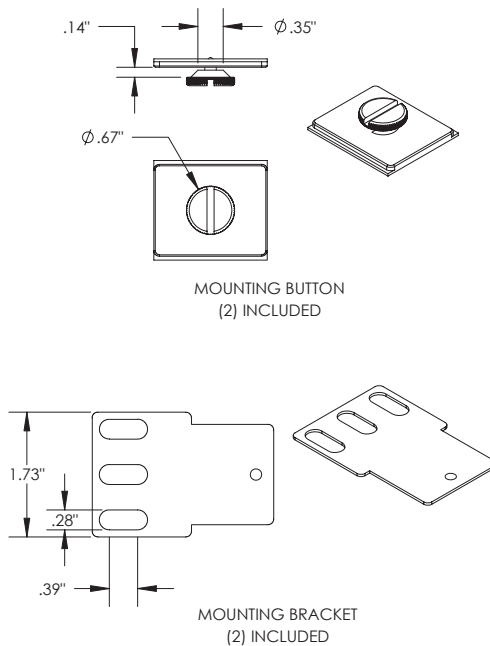
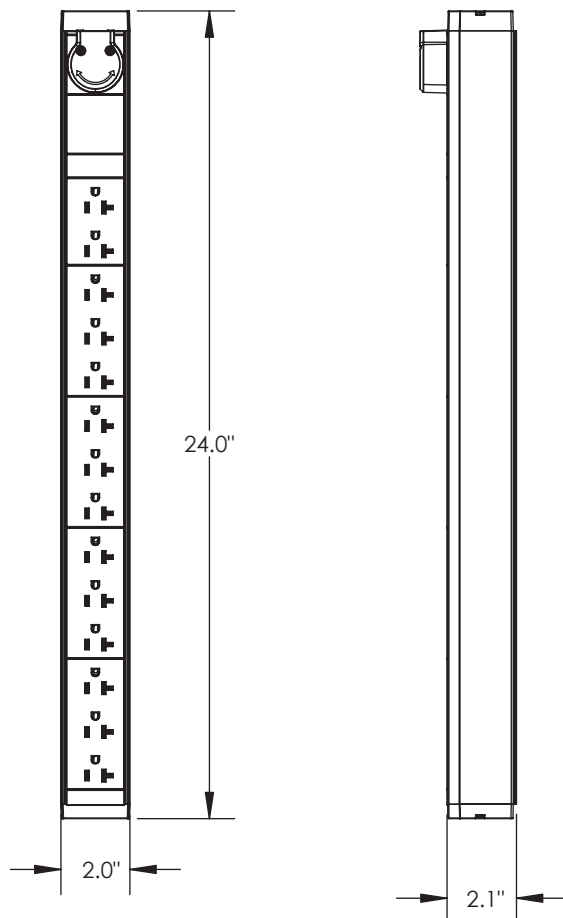
- Color: Black & Silver
- Unit Dimensions (WxDxH): 52mm x 50mm x 610mm; 2.0" x 2.0" x 24.0"
- Form Factor: ZeroU
- Mounting: Vertical Button Mount
Horizontal/Vertical Mounting Bracket

ENVIRONMENTAL

- Operating Temperature: 45°C
- Operating Relative Humidity: 85%
- Operating Elevation: 0-10000ft

CONFORMANCE

- Regulatory Approvals: UL Listed, Canada ICES-003, Part 15 Class A of the FCC rules, RoHS compliant
- Warranty: Standard 2 years manufacturer warranty



Legrand, North and Central America

60 Woodlawn Street
West Hartford, CT 06110
1.877.BY.LEGRAND (295.3472)
www.legrand.us