

SPECIFICATION SHEET



RapidRun Optical Active DisplayPort Converter Transmitter

- Convert and extend a DisplayPort source device to an HDMI or DVI display
- Supports full 4K (4096x2160) at 60 Hz 24-bit color and 4:4:4 color sampling
- Utilizes fiber cabling, so it is resistant to EMI/RFI interference
- 3 Year Warranty

Specifications: RapidRun Optical Active DisplayPort Converter Transmitter

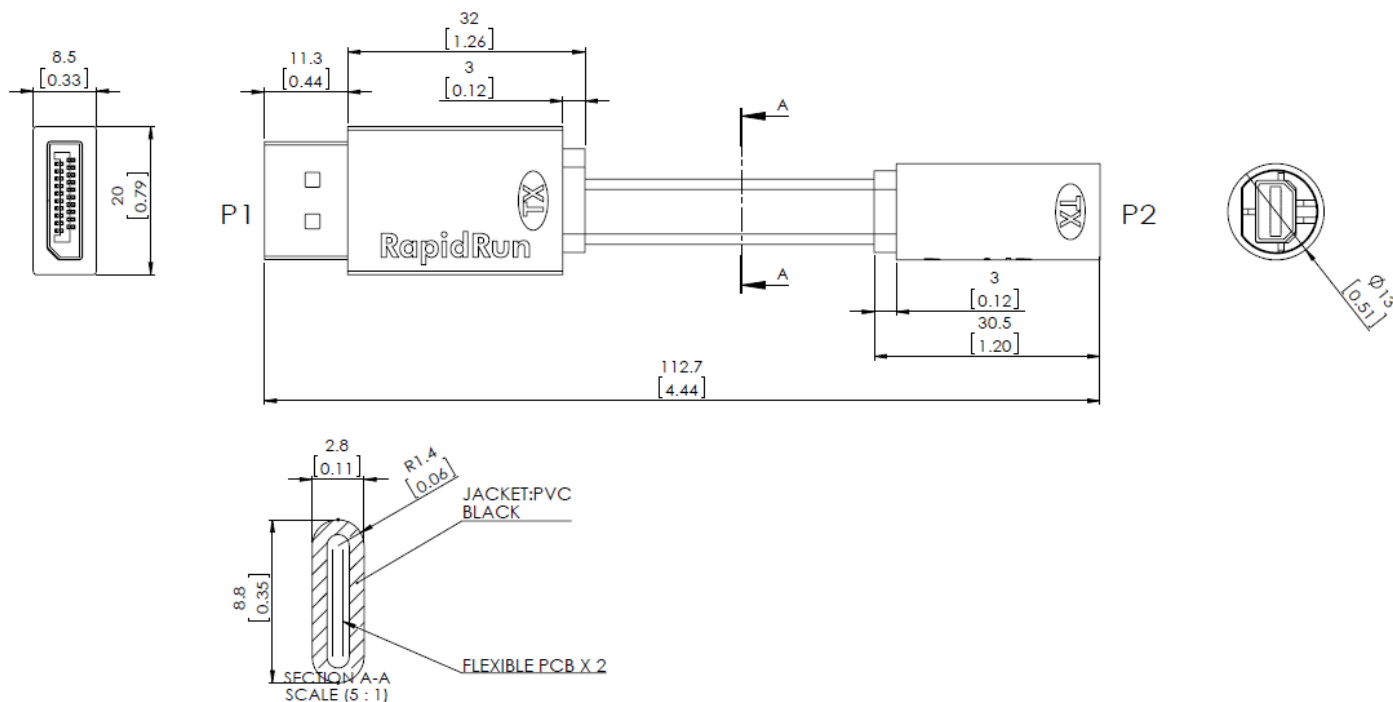
Electrical Specifications:

Resolutions Supported:	4096x2160 60Hz, 4096x2160 30Hz, 3840x2160 60Hz, 3840x2160 30Hz, 1080p, 720p, 480p
Frame Rate:	24, 25, 30, 50, or 60 fps
Chroma Sampling:	4:4:4, 4:2:2, 4:2:0
Color Bit Depth:	8 bit per pixel at 4:4:4 / 10 bits per pixel at 4:2:2 / 12 bits per pixel at 4:2:0
Aspect Ratio Supported:	21:9, 16x9
DisplayPort Compatibility:	1.3, 1.2, 1.1
HDCP:	2.2
Bandwidth:	18 Gbps
Supported Audio Channels:	8
Audio Sample Frequency:	1536kHz
Synchronization of Audio and Video:	Dynamic
Powered By:	DisplayPort Bus Power

Physical Specifications:

DisplayPort Connector Housing Dimensions (HxWxD):	8.5 x 20 x 32mm
Overall Dimensions (HxWxD):	8.5 x 20 x 112.7mm
Operating Temperature:	0°C to 70°C; 0-90%RH (Non-Condensing)
Storage Temperature:	-25°C to 85°C; 0-90%RH (Non-Condensing)
Jacket	PVC
Flexible Printed Circuit Board Material:	SF302, UL94 V-0, 300a
Bend Radius:	5mm min
Compliance:	CE, FCC, RoHS2

Specifications: RapidRun Optical Active DisplayPort Converter Transmitter



Part Number	Description	Weight (lbs)
60179	RapidRun Optical Active DisplayPort Converter Transmitter	0.04



CABLES TO GO

Cables To Go
 3555 Kettering Blvd.
 Moraine, OH 45439
 Phone: 800.287.2843
 www.c2g.com

Follow Us

