



RapidRun® CL2-Rated PC Runner Cable

- CL2-Rated cable for in-wall use
- Connector equipped with a protective pulling cap capable of 30 pounds of pulling tension
- Three 28 AWG coaxial cables with braided copper shielding, three 24 AWG twisted pair, and a single 24 AWG pair
- Supports resolutions up to 1600 x 1200 (UXGA)
- Lifetime Warranty

Specifications: RapidRun® CL2-Rated PC Runner Cable

Electrical Characteristics:

3 Coax Conductors

Impedance:	10 MHz 75 ± 5 Ohm	
Capacitance:	18 pF/ft nom	
DC Resistance:	237.25 Ohms/km at 20C max.	
Dielectric Strength:	500VAC/minute	
Insulation Resistance (500V):	10 Mohm/KM min. at 20C	
Velocity of Propagation:	76%	
Attenuation (nominal):	Frequency	<u>dB/100 ft</u>
	200 MHz	<2.10
	300 MHz	<2.60
	400 MHz	<3.00

3 Twisted Pairs + 2 Conductors

DC Resistance:	93.25 Ohms/m at 20°C
Dielectric Strength:	750VAC/minute min.
Insulation Resistance:	100 Mohm/KM at 20°C

Physical Characteristics:

Voltage Rating :	30V
Temperature Rating :	80°C
Tensile Strength:	Unaged: 1500PSI min; Aged: 70% min
Elongation:	Unaged: 100% min; Aged: 65%
Heat Shock Test:	No cracking
Cold Bend Test:	No cracking
Deformation Test:	Min. 50%
Flame test:	Pass VW-1

Approvals: RoHS Compliant

Warranty: Lifetime

Package Type: Polybag

Item	Description	Weight (Lbs)
42134	6ft RapidRun CL2-Rated PC Runner Cable	0.66
42135	10ft RapidRun CL2-Rated PC Runner Cable	0.96
50710	15ft RapidRun CL2-Rated PC Runner Cable	1.74
50712	25ft RapidRun CL2-Rated PC Runner Cable	2.9
50714	35ft RapidRun CL2-Rated PC Runner Cable	4.06
50715	50ft RapidRun CL2-Rated PC Runner Cable	5.8
50717	75ft RapidRun CL2-Rated PC Runner Cable	8.7
50718	100ft RapidRun CL2-Rated PC Runner Cable	11.6
50719	125ft RapidRun CL2-Rated PC Runner Cable	14.5
50720	150ft RapidRun CL2-Rated PC Runner Cable	17.4

Cable Specifications: RapidRun® CL2-Rated PC Runner Cable

Conductor (Qty. 3):

Conductor Type: 28 AWG
Tinned Copper
O.D.: .015"

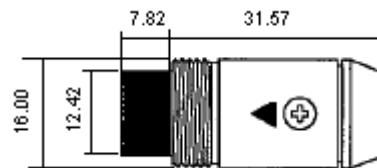
Insulation: Minimum Avg. Thickness: 0.19"
Foamed PE
O.D.: .062"

Shield: Braided Tinned Copper
.336"

Covering: Minimum Avg. Thickness: .009"
80°C PVC: (1) red,
(1) blue, (1) green
O.D.: .09"

Connector (Qty. 2):

Connector Type: DIN 15 pin
Gender: Female
Contact Material: Gold Flash
Insulation: Black PBT

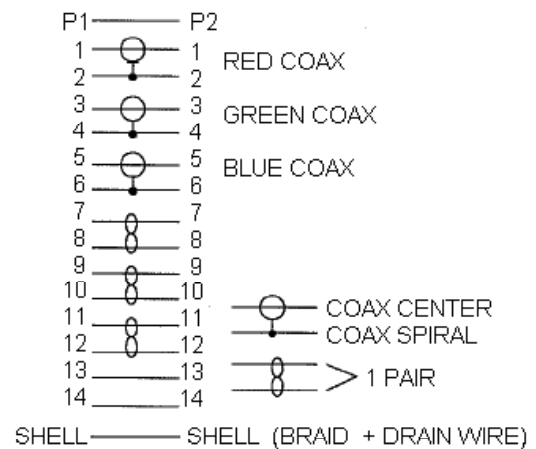


Conductor (Qty. 3 pair + 2 conductors):

Conductor Type: 24 AWG
Tinned Copper
.049"

Insulation: Minimum Avg. Thickness: .009"
SR-PVC Low Toxic
(1) black + black/white,
(1) brown + brown/white,
(1) red + red/white,
(1) orange, (1) yellow
O.D.: .043"

PIN OUT



Overall Cable:

Aluminum Mylar Shield: Coverage: 100%
Overlap: 25% Min.

Drain Wire: 24 AWG
Tinned Copper
.049"

Copper Shield: Braided Tinned Shield
.864"

Jacket: Minimum Avg. Thickness: .76mm
Matt PVC
CL2-813 Black Low Toxic
O.D.: .354"
Yellow heat shrink tube attached

