



DisplayPort Cables

- Carries both Digital Audio and Video
- Supports DisplayPort 1.2 specification
- Supports a High Bit Rate (HBR) bandwidth and up to a 4K resolution
- Lifetime Warranty



Specifications: DisplayPort Cables

Electrical Specifications:

Voltage Rating:	30v
Conductor Resistance:	@ 20°C max
Insulation Resistance:	10MΩ/km
Time Delay:	5.2ns/m (max)
Attenuation:	5.02dB@100-450MHz 7.69dB@1GHz
	12.595dB@2GHz 17.495dB@3GHz
	22.395dB@4GHz 27.295dB@5GHz
	32.195dB@6GHz 37.095dB@7GHz

Physical Specifications:

Minimum Bend Radius:	73mm
Approvals:	CE
Warranty:	Lifetime

Conductor (5 Pair):

Conductor:	32AWG (7/0.08TC)
Insulation:	FM-PE, ID:0.62±0.05mm
Color:	White/Black, White/Brown, White/Red, White/Green, White/Blue
Drain:	1:32AWG (7/0.08TC)
Shield:	AL-Foil Wrap, Transparent Wrap

Conductor (5 Conductors):

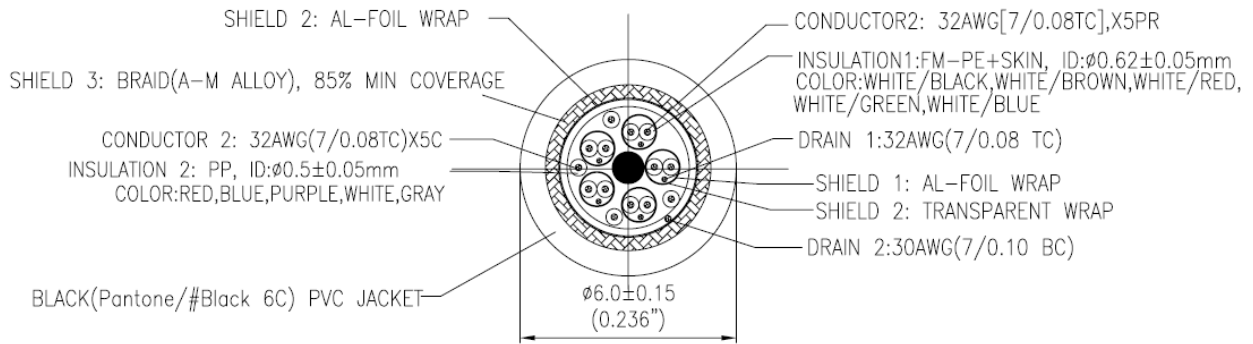
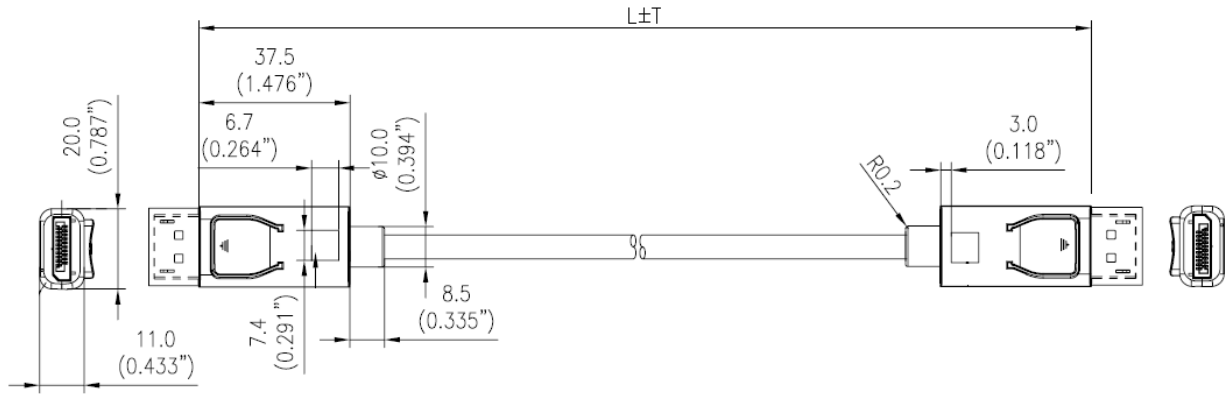
Conductor:	32AWG (7/0.08TC)
Insulation:	PP, ID:ø0.5±0.05mm
Color:	Red, Blue, Purple, White, Gray

Overall Cable

Jacket:	PVC
Shield:	AL-Foil Wrap Braid, 85% Min Coverage
Drain:	2:30AWG (7/0.10 BC)
OD:	6.0±0.15



Specifications: DisplayPort Cables



Part Number	Description	Weight (lbs)
54400	3ft DisplayPort Cable with Latches M/M—Black	
54401	6ft DisplayPort Cable with Latches M/M—Black	
54402	10ft DisplayPort Cable with Latches M/M—Black	

