



## Mini DisplayPort to DisplayPort Adapter Cables

- Adapts a Mini DisplayPort Source device to a DisplayPort compatible display
- Supports DisplayPort 1.2 specification
- Supports up to a 4K resolution
- Lifetime Warranty



# Specifications: Mini DisplayPort to DisplayPort Adapter Cables

## Electrical Specifications:

---

Voltage Rating:	30v	
Conductor Resistance:	@ 20°C max	
Insulation Resistance:	10MΩ/km	
Time Delay:	5.2ns/m (max)	
Attenuation:		
	5.02dB@100-450MHz	7.69dB@1GHz
	12.595dB@2GHz	17.495dB@3GHz
	22.395dB@4GHz	27.295dB@5GHz
	32.195dB@6GHz	37.095dB@7GHz

## Physical Specifications:

---

Minimum Bend Radius:	52mm
Approvals:	CE
Warranty:	Lifetime

### Conductor (5 Pair):

---

Conductor:	32AWG (7/0.08TC)
Insulation:	FM-PE, ID:0.62±0.05mm
Color:	White/Black, White/Brown, White/Red, White/Green, White/Blue
Drain:	1:32AWG (7/0.08TC)
Shield:	AL-Foil Wrap, Transparent Wrap

### Conductor (5 Conductors):

---

Conductor:	32AWG (7/0.08TC)
Insulation:	PP, ID:ø0.5±0.05mm
Color:	Red, Blue, Purple, White, Gray

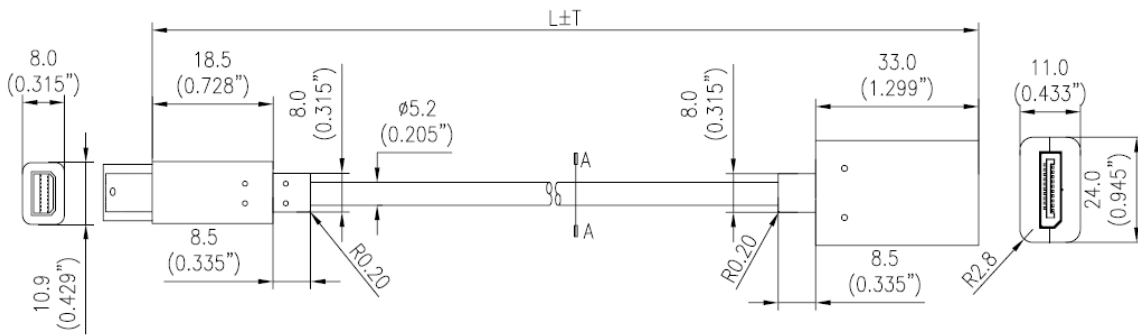
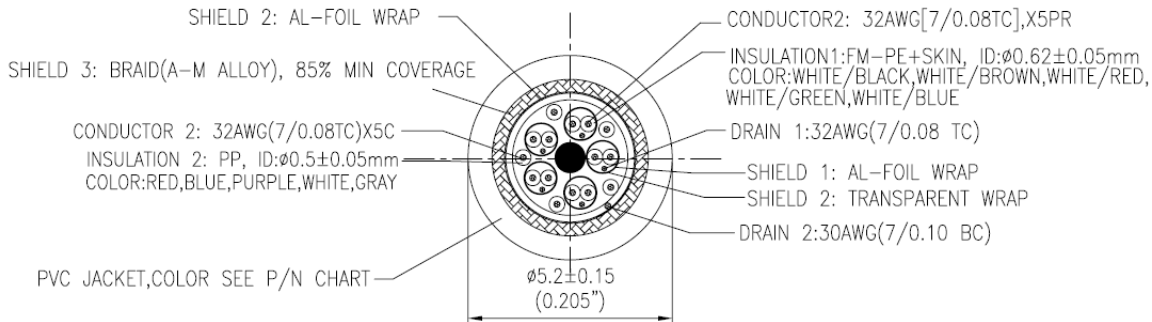
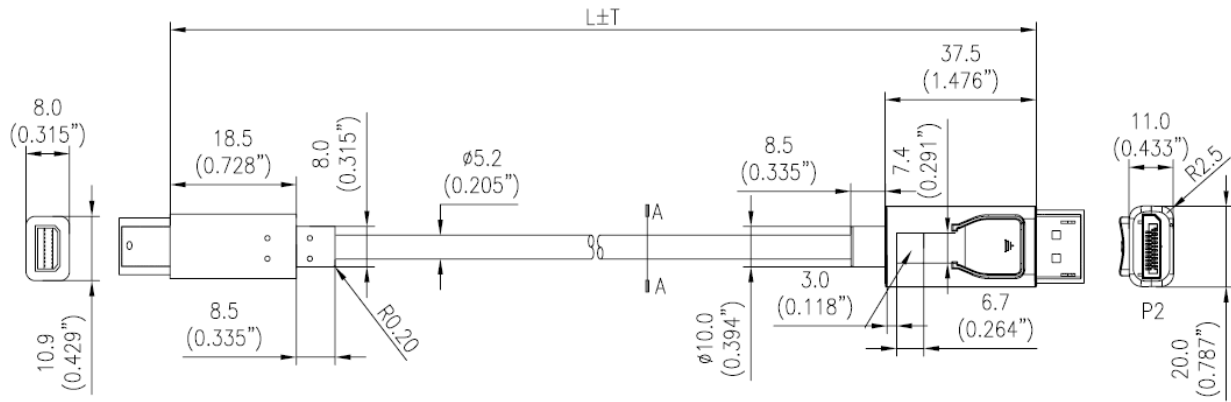
## Overall Cable

---

Jacket:	PVC
Shield:	AL-Foil Wrap Braid, 85% Min Coverage
Drain:	2:30AWG (7/0.10 BC)
OD:	5.2±0.15



# Specifications: Mini DisplayPort to DisplayPort Adapter Cables



Part Number	Description	Weight (lbs)
54297	3ft Mini DisplayPort to DisplayPort Adapter Cable M/M—White	
54298	6ft Mini DisplayPort to DisplayPort Adapter Cable M/M—White	
54299	10ft Mini DisplayPort to DisplayPort Adapter Cable M/M—White	
54300	3ft Mini DisplayPort to DisplayPort Adapter Cable M/M—Black	
54301	6ft Mini DisplayPort to DisplayPort Adapter Cable M/M—Black	
54302	10ft Mini DisplayPort to DisplayPort Adapter Cable M/M—Black	
54303	6in Mini DisplayPort Male to DisplayPort Female Adapter Converter—Black	
54304	6in Mini DisplayPort Male to DisplayPort Female Adapter Converter—White	
54305	6in DisplayPort Male to Mini DisplayPort Female Adapter Converter—Black	

