

## Mini DisplayPort to Video Adapter Cables

- Maximum video resolution of 1920 x 1200 and 1080p @60Hz
- Available in VGA, DVI and HDMI form factors
- Does not require any external drivers



# Specifications: Mini DisplayPort to Video Adapter Cables

## Video Specifications:

Video input:	Mini DisplayPort
Video output options:	VGA, DVI, HDMI
Maximum video resolution:	1920 x 1200
DisplayPort Specification:	V1.1a

## Physical Specifications:

Adapter length:	220.0 ±5.0mm
Housing materials:	Plastic
Operating Temperature:	10°C ~ 40°C
Storage Temperature:	-10°C ~ 80°C
Regulations:	FCC, CE
Operating Systems Supported:	Windows XP, Vista, 7, 8, Mac

### VGA—#54193

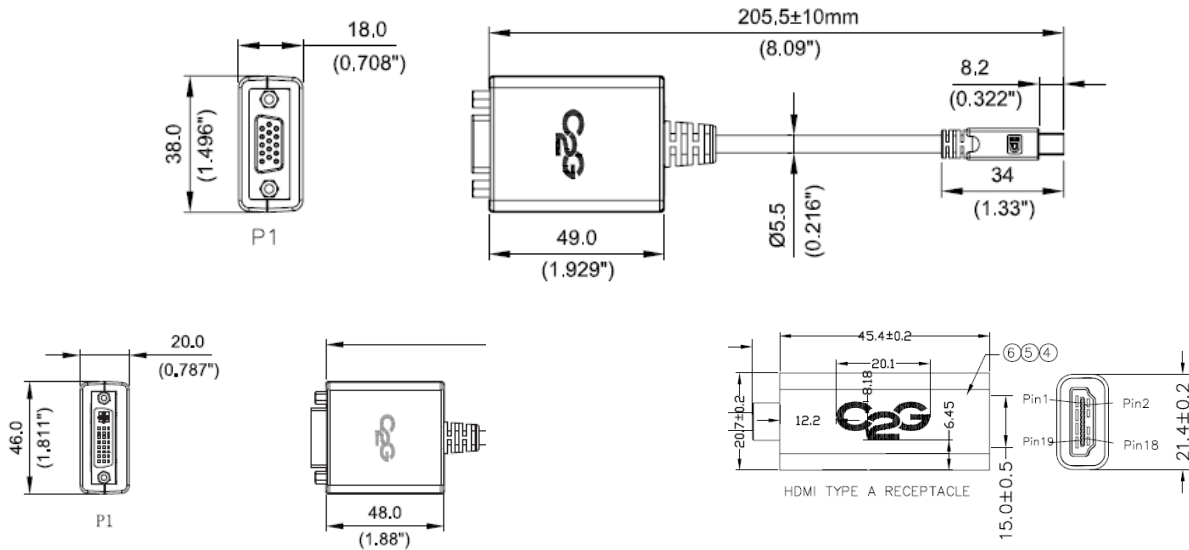
Operation Frequency Range:	up to 35MHz
Line Rate:	Over 12 MB/s, up to 20MB/s
Power Mode:	Self Power/Bus Power
Power Consumption:	255mA
Dimension:	49 x 47 x 19mm

### DVI—#54194

Inter-pair output skew:	<250 ps
Intra-pair output skew:	<10 pcs
Line Rate:	Over 12 MB/s, up to 20MB/s
Power Mode:	Self Power/Bus Power
ESD Protection:	± 6KV HBM on all I/O pins
Dimension:	49 x 53 x 21mm

### HDMI—#54195

Input video signal:	5 V p-p (TTL)
Vertical Frequency Range:	50/60Hz
Dimension:	60 x 21 x 13mm



# Specifications: Mini DisplayPort to Video Adapter Cables

Part Number	Description	Weight (lbs)
54193	Mini DisplayPort to VGA Adapter Cable	0.094
54194	Mini DisplayPort to DVI Adapter Cable	0.122
54195	Mini DisplayPort to HDMI Adapter Cable	0.046

