



## **Plenum HD15 M/M SXGA Cable**

- CMP-rated cable jacket that meets commercial in-wall codes
- Low Profile HD 15 connectors (1-1/4" total depth) for easier in-wall installation
- Small-diameter cable (1/4" diameter) reduces space and clearance required for other cables in-wall and in plenum air spaces
- Three 30AWG coax cables with two 26 AWG pair
- Dual shielded
- Lifetime warranty

# Specifications: Plenum HD15 M/M SXGA Cable

## Electrical Characteristics:

### 3 Coax Conductors

---

Impedance:	75 +/- 5 Ohm	
Capacitance:	54 pF/m nom	
DC Resistance:	0.347 Ohms/m @20C	
Dielectric Strength:	750VAC/minute min.	
Insulation Resistance (500V):	100 Mohm/KM @20C	
Attenuation (nominal):	<u>Frequency</u>	<u>dB/100 ft</u>
	1.0 MHz	0.9
	3.6 MHz	1.7
	5.0 MHz	1.9
	7.0 MHz	2.4
	9.0 MHz	2.6
	10.0 MHz	2.8
	30.0 MHz	4.4
	50.0 MHz	5.8
	100.0 MHz	8.2

### 2 Twisted Pairs

---

DC Resistance:	0.139 Ohms/m @20C
Dielectric Strength:	750VAC/minute min
Insulation Resistance:	100 Mohm/KM @ 20C

## Physical Characteristics:

Voltage Rating:	300V
Temperature Rating:	75C

**Approvals:** RoHS Compliant

---

**Warranty:** Lifetime

---

**Package Type:** Polybag

---

<u>Item</u>	<u>Description</u>
40510	15ft Plenum HD15 M/M SXGA Cable
40511	25ft Plenum HD15 M/M SXGA Cable
40512	35ft Plenum HD15 M/M SXGA Cable
40513	50ft Plenum HD15 M/M SXGA Cable
40514	75ft Plenum HD15 M/M SXGA Cable

# Cable Specifications: Plenum HD15 M/M SXGA Cable

## Conductor (Qty. 3):

Conductor Type: 30AWG 7/38 Tinned Copper  
.012" nom. OD

Insulation: Cellular FEP  
.049" nom. OD  
.0185" avg. wall

Shield: Braid  
4 ends 38AWG Tinned Copper  
92% min. coverage

Jacket: CMP-rated Low Smoke PVC  
(color code: (1) red, (1) blue, (1) green)  
.083" nom OD  
.008" avg. wall

## Conductor (1 pair):

Conductor Type: 26AWG 7/34 Tinned Copper  
.019" nom. OD

Insulation: Low Smoke PVC  
.029" nom. OD  
.005" avg. wall

Pairing Type: Pair 1 (blue + violet)  
Twisted

## Conductor (1 pair):

Conductor Type: 26AWG 7/34 Tinned Copper  
.019" nom. OD

Insulation: Low Smoke PVC  
.029" nom. OD  
.005" avg. wall

Pairing Type: Pair (red + orange)  
Twisted w/Drain Wire  
(26 AWG 7/34TC)

## Connector (Qty. 2):

Connector Type: HD15 Solder type

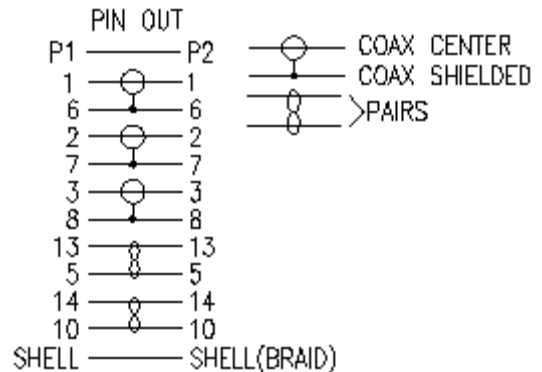
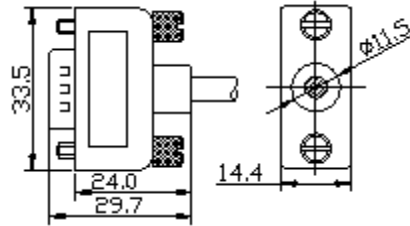
Gender: Male to Male

Contact Material: Gold Flash

Insulation: Black PBT

Shield: Copper-foil tape cover pre-mold  
w/360 degree solder to connect  
to shell and cable braid

Hood Material: Molded Low Smoke PVC  
(color: black)

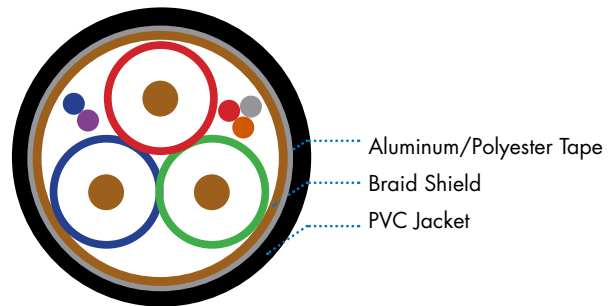


## Overall Cable:

Shield 1: Aluminum/Polyester Tape  
25% min overlap coverage

Shield 2: Braid Shield  
9 ends 36 AWG Tinned Copper  
85% min. coverage

Jacket: CMP-rated Low Smoke PVC (black)  
.248" nom. OD  
.018" avg. wall





## **Plenum A/V M/M Cable**

- CMP-rated cable jacket that meets commercial in-wall codes
- Low Profile RCA connectors (1-1/2" total depth) for easier in-wall installation
- Small-diameter cable (1/4" diameter) reduces space and clearance required for other cables in-wall and in plenum air spaces
- Three 26AWG coax cables
- Dual shielded (foil shield and 92% braid)
- Lifetime warranty

# Specifications: Plenum A/V M/M Cable

## Electrical Characteristics:

### 3 Coax Conductors

---

Impedance:	75 +/- 3 Ohm	
Capacitance:	16.7 pF/ft nom	
Time Delay:	1.22 ns/ft	
Velocity of Propagation:	81%	
Conductor DC Resistance:	41 Ohms/kft @20C	
Attenuation (nominal):	<u>Frequency</u>	<u>dB/100 ft</u>
	100 MHz	5.37
	400 MHz	11.50
	1 GHz	19.50

## Physical Characteristics:

Temperature Rating: 75C

**Approvals:** RoHS Compliant

---

**Warranty:** Lifetime

---

**Package Type:** Polybag

---

Item	Description
40523	15ft Plenum Audio/Video M/M Cable
40524	25ft Plenum Audio/Video M/M Cable
40525	35ft Plenum Audio/Video M/M Cable
40526	50ft Plenum Audio/Video M/M Cable
40527	75ft Plenum Audio/Video M/M Cable

# Cable Specifications: Plenum A/V M/M Cable

### Conductor (Qty. 3):

Conductor Type: 26 AWG 7/34 tinned copper  
 .019" nom OD

Insulation: Cellular FEP  
 .074" nom. OD  
 .0275" avg. wall

Shield: Spiral  
 38AWG Tinned Copper  
 92% min. coverage  
 Aluminum/Polyester tape over  
 Spiral Shield; 25% min. overlap

Jacket: CMP-rated Low Smoke PVC  
 (color code: (1) red, (1) blue,  
 (1) green)  
 .102" nom OD  
 .007" avg. wall

### Connector (Qty. 6):

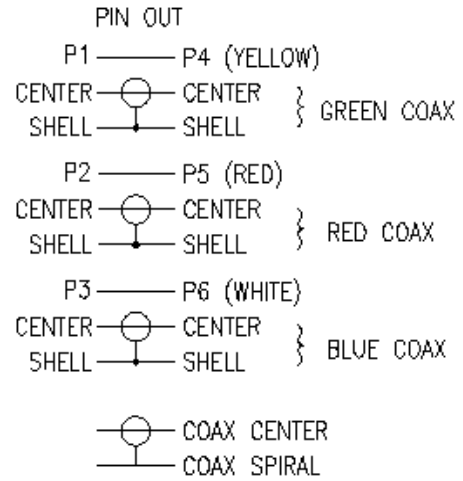
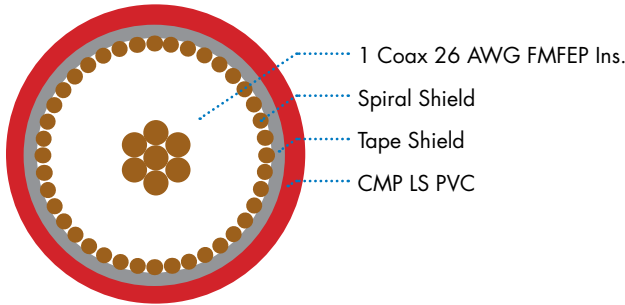
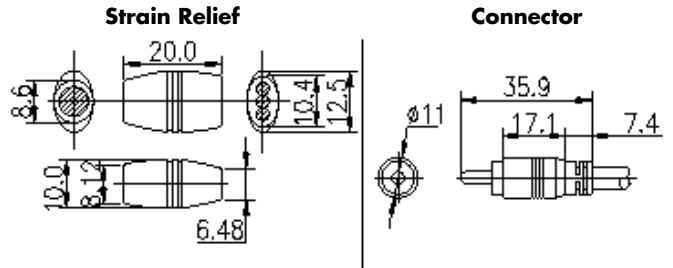
Connector Type: Solder

Shell/Pin Material: Nickel Plated

Insulation: White PBT

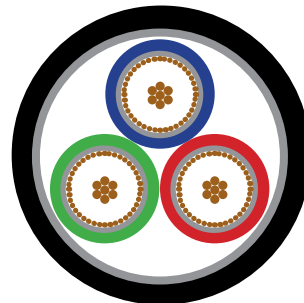
Hood Attachment: Molded w/Strain Relief

Hood Material: Low Smoke PVC  
 (color code: (2) yellow, (2) red,  
 (2) white)



### Overall Cable:

Jacket: CMP-rated Low Smoke PVC (black)  
 .249" nom. OD  
 .015" avg. wall  
 (color code: black)





## **Plenum 3.5mm Stereo M/M Cable**

- CMP-Rated cable jacket that meets commercial in-wall codes
- Low profile RCA connectors (1-1/2" total depth) for easier in-wall installation
- Small-diameter cable (1/4" diameter) reduces space and clearance required for other cables in-wall and in plenum air spaces
- 22AWG twisted pair
- Foil shield
- Lifetime warranty

# Specifications: Plenum 3.5mm Stereo M/M Cable

## Electrical Characteristics:

### Twisted Pair

---

Capacitance:	45 pF/ft nom
Conductor DC Resistance:	16-Ohms/kft nom (18.1-Ohms/kft max @ 20C)

## Physical Characteristics:

Temperature Rating: 75C

**Approvals:** RoHS Compliant

---

**Warranty:** Lifetime

---

**Package Type:** Polybag

---

Item	Description
40515	15ft Plenum 3.5mm M/M Cable
40516	25ft Plenum 3.5mm M/M Cable
40517	35ft Plenum 3.5mm M/M Cable
40518	50ft Plenum 3.5mm M/M Cable
40522	75ft Plenum 3.5mm M/M Cable



# Cable Specifications: Plenum 3.5mm Stereo M/M Cable

## Conductor (Qty. 2):

Conductor Type: 22 AWG 7/30 tinned copper  
 .030" nom OD

Drain Wire: 22 AWG 7TC

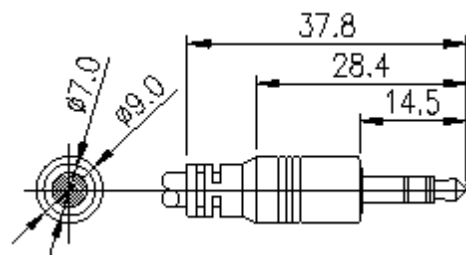
Insulation: Low Smoke PVC  
 .050" nom. OD  
 .010" avg. wall  
 (color code: (1) black, (1) red)

Shield: Foil  
 Aluminum/Polyester tape;  
 25% min. overlap

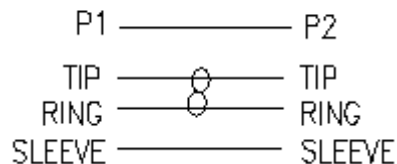
## Connector (Qty. 2):

Connector Type: 3.5mm Stereo Audio

Gender: Male to Male

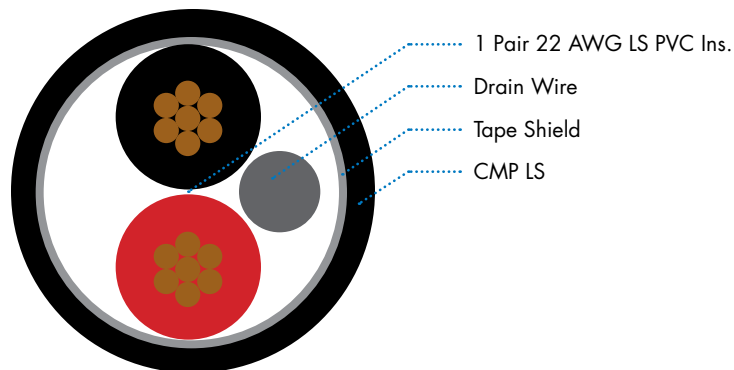


## PIN OUT



## Overall Cable:

Jacket: CMP-rated Low Smoke PVC  
 .134" nom. OD  
 .017" avg. wall  
 (color code: (1) black)





## Aluminum HD15, 3.5mm, A/V, S-Video Wall Plate

- Composite Video with L/R stereo RCA jacks
- 3.5mm stereo audio jack
- S-Video jack
- HD15 jack
- Manufactured from High Grade Aluminum
- Fits standard electrical boxes
- Mounting hardware included

# Specifications: Aluminum HD-15, 3.5mm, A/V, S-Video Wall Plate

## Wall Plate Specification:

### Component

Connection Type:	Pass-through
Material:	Brushed Aluminum 5052
Hardness:	HRB22 Anodizing
Logo Marking Substance:	Black Printing Ink
Connector Isolation:	Isolation Grommet
Hood:	Molded PVC (color: black)

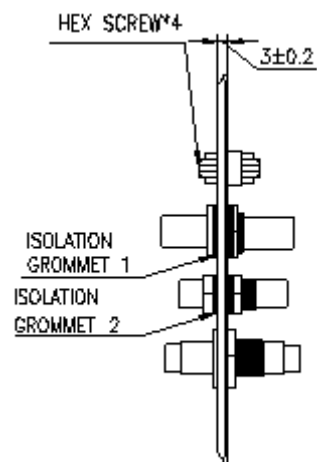
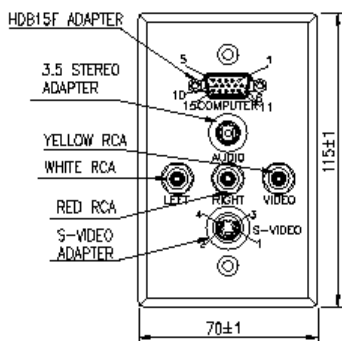
**Approvals:** RoHS Compliant

**Warranty:** Lifetime

**Package Type:** White Box

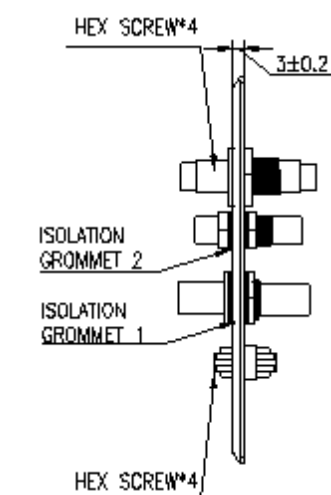
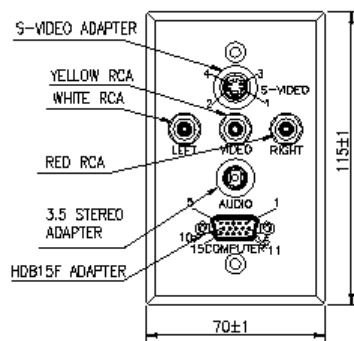
### 40499

Single Gang Wall Plate  
HD15, 3.5mm, Composite Video,  
Stereo Audio,  
S-Video (Aluminum)



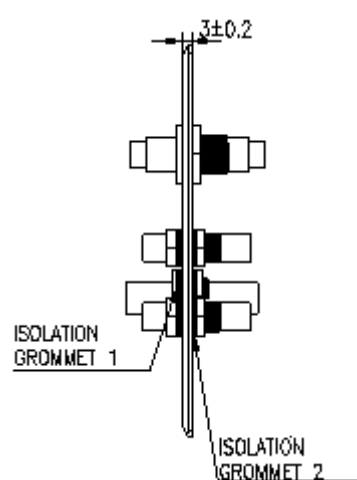
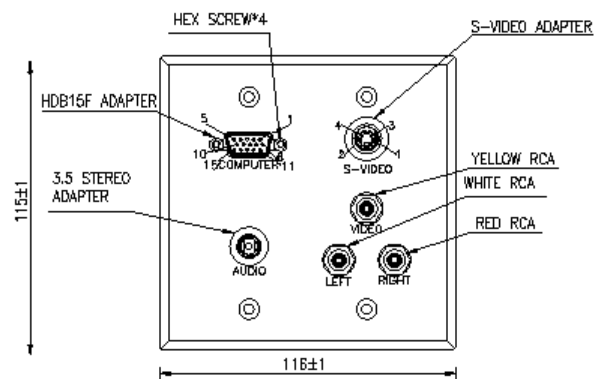
### 40500

Single Gang Wall Plate  
HD15, 3.5mm, Composite Video,  
Stereo Audio,  
S-Video (Aluminum)



### 40507

Double Gang Wall Plate  
HD15, 3.5mm, Composite Video,  
Stereo Audio



# Specifications: Aluminum HD-15, 3.5mm, A/V, S-Video Wall Plate

## 40499- Single Gang Wall Plate-HD15, 3.5mm, Composite Video, Stereo Audio, S-Video (Aluminum)

### HD-15

Connector Gender: Female to Female  
Contact Material: Gold Flash  
Insulation (color: black)  
Shell Material: Nickel Plated w/hex screw

### 3.5mm Stereo

Connector Gender: Female to Female  
Shell Material: Nickel Plated

### RCA

Connector Gender: Female to Female (Lock Plank Type)  
Shell Material: Nickel Plated  
Insulation Color: (1) red, (1) white, (1) yellow

### S-Video

Connector Gender: Mini Din 4Pin Female to Female  
Contact Material: Gold Plated over Nickel

Product Dimensions: 2.75"x0.12"x4.53"  
Product Weight: 0.5 lbs  
Packaging Type: White box  
Package Dimensions: 3"x1.63"x4.75"

## 40500- Single Gang Wall Plate-HD15, 3.5mm, Composite Video, Stereo Audio, S-Video (Aluminum)

### HD-15

Connector Gender: Female to Female  
Contact Material: Gold Flash  
Insulation (color: black)  
Shell Material: Nickel Plated w/hex screw

### 3.5mm Stereo

Connector Gender: Female to Female  
Shell Material: Nickel Plated

### RCA

Connector Gender: Female to Female (Lock Plank Type)  
Shell Material: Nickel Plated  
Insulation Color: (1) red, (1) white, (1) yellow

### S-Video

Connector Gender: Mini Din 4Pin Female to Female  
Contact Material: Gold Plated over Nickel

Product Dimensions: 2.75"x0.12"x4.53"  
Product Weight: 0.5 lbs  
Packaging Type: White box  
Package Dimensions: 3"x1.63"x4.75"

## 40507- Double Gang Wall Plate-HD15, 3.5mm, Composite Video, Stereo Audio, S-Video (Aluminum)

### HD-15

Connector Gender: Female to Female  
Contact Material: Gold Flash  
Insulation (color: black)  
Shell Material: Nickel Plated w/hex screw

### 3.5mm Stereo

Connector Gender: Female to Female  
Shell Material: Nickel Plated

### RCA

Connector Gender: Female to Female (Lock Plank Type)  
Shell Material: Nickel Plated  
Insulation Color: (1) red, (1) white, (1) yellow

### S-Video

Connector Gender: Mini Din 4Pin Female to Female  
Contact Material: Gold Plated over Nickel

Product Dimensions: 4.57"x0.12"x4.53"  
Product Weight: 0.5 lbs  
Packaging Type: White box  
Package Dimensions: 4.75"x1.63"x4.75"