



Aluminum HD15, 3.5mm, A/V, S-Video Wall Plate

- Composite Video with L/R stereo RCA jacks
- 3.5mm Stereo Audio Jack
- S-Video Jack
- HD15 Jack
- Manufactured from High Grade Aluminum
- Fits Standard Electrical Boxes
- Mounting Hardware Included

Specifications: Aluminum HD-15, 3.5mm, A/V, S-Video Wall Plate

Wall Plate Specification:

Component

Connection Type:	Pass-through
Material:	Brushed Aluminum 5052
Hardness:	HRB22 Anodizing
Logo Marking Substance:	Black Printing Ink
Connector Isolation:	Isolation Grommet
Hood:	Molded PVC (color: black)

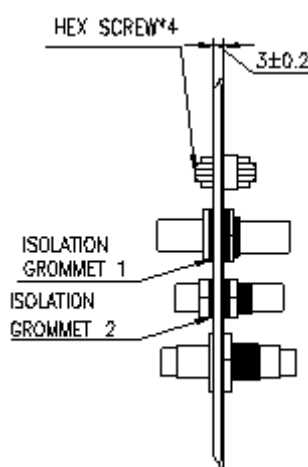
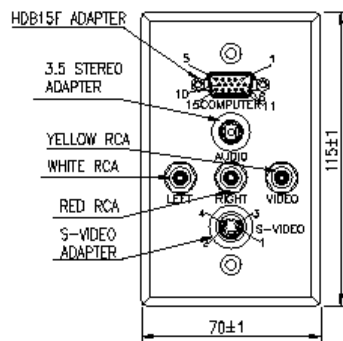
Approvals: RoHS Compliant

Warranty: Lifetime

Package Type: White Box

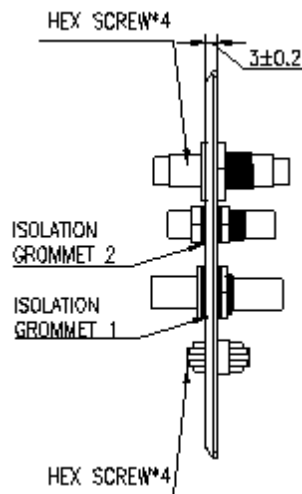
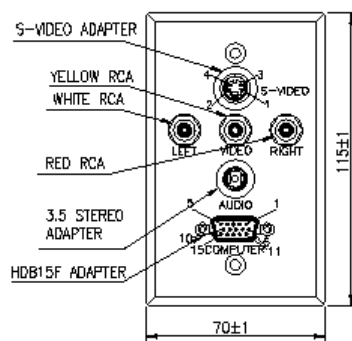
40499

Single Gang Wall Plate
HD15, 3.5mm, Composite Video,
Stereo Audio,
S-Video (Aluminum)



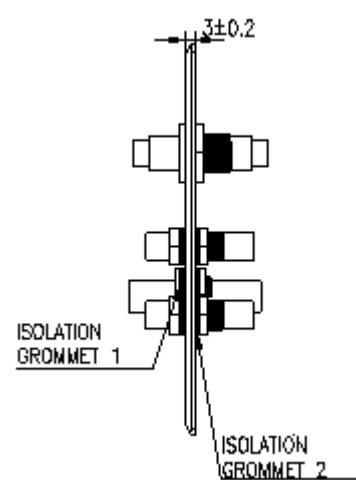
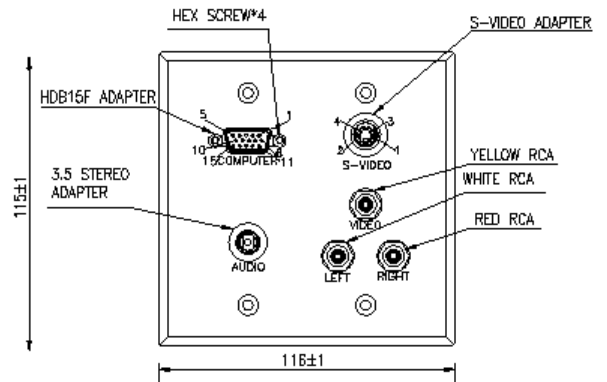
40500

Single Gang Wall Plate
HD15, 3.5mm, Composite Video,
Stereo Audio,
S-Video (Aluminum)



40507

Double Gang Wall Plate
HD15, 3.5mm, Composite Video,
Stereo Audio,
(Aluminum)



Specifications: Aluminum HD-15, 3.5mm, A/V, S-Video Wall Plate

40499- Single Gang Wall Plate-HD15, 3.5mm, Composite Video, Stereo Audio, S-Video (Aluminum)

HD-15

Connector Gender: Female to Female
Contact Material: Gold Flash
Insulation (color: black)
Shell Material: Nickel Plated w/hex screw

3.5mm Stereo

Connector Gender: Female to Female
Shell Material: Nickel Plated

RCA

Connector Gender: Female to Female (Lock Plank Type)
Shell Material: Nickel Plated
Insulation Color: (1) red, (1) white, (1) yellow

S-Video

Connector Gender: Mini Din 4Pin Female to Female
Contact Material: Gold Plated over Nickel

Product Dimensions: 2.75"x0.12"x4.53"
Product Weight: 0.5 lbs
Packaging Type: White box
Package Dimensions: 3"x1.63"x4.75"

40500- Single Gang Wall Plate-HD15, 3.5mm, Composite Video, Stereo Audio, S-Video (Aluminum)

HD-15

Connector Gender: Female to Female
Contact Material: Gold Flash
Insulation (color: black)
Shell Material: Nickel Plated w/hex screw

3.5mm Stereo

Connector Gender: Female to Female
Shell Material: Nickel Plated

RCA

Connector Gender: Female to Female (Lock Plank Type)
Shell Material: Nickel Plated
Insulation Color: (1) red, (1) white, (1) yellow

S-Video

Connector Gender: Mini Din 4Pin Female to Female
Contact Material: Gold Plated over Nickel

Product Dimensions: 2.75"x0.12"x4.53"
Product Weight: 0.5 lbs
Packaging Type: White box
Package Dimensions: 3"x1.63"x4.75"

40507- Double Gang Wall Plate-HD15, 3.5mm, Composite Video, Stereo Audio, S-Video (Aluminum)

HD-15

Connector Gender: Female to Female
Contact Material: Gold Flash
Insulation (color: black)
Shell Material: Nickel Plated w/hex screw

3.5mm Stereo

Connector Gender: Female to Female
Shell Material: Nickel Plated

RCA

Connector Gender: Female to Female (Lock Plank Type)
Shell Material: Nickel Plated
Insulation Color: (1) red, (1) white, (1) yellow

S-Video

Connector Gender: Mini Din 4Pin Female to Female
Contact Material: Gold Plated over Nickel

Product Dimensions: 4.57"x0.12"x4.53"
Product Weight: 0.5 lbs
Packaging Type: White box
Package Dimensions: 4.75"x1.63"x4.75"