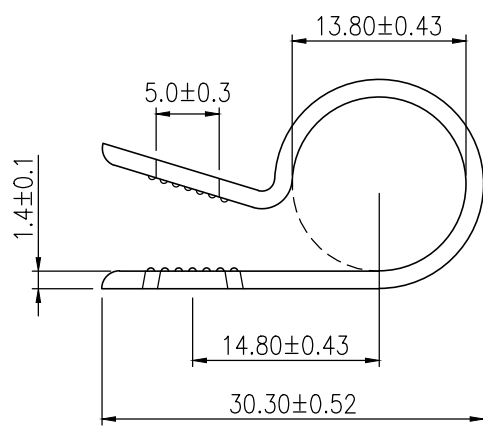
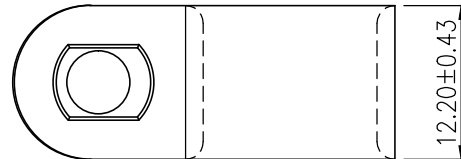


REV.	REVISION HISTORY	DATE
Ø	INITIAL RELEASE	MAY.05,2010




NOTES:

1. MATERIAL: NYLON 66, UL94V-2, NATURAL COLOR.
2. ALL MATERIALS ARE RoHS COMPLIANT.
3. TESTING: SAMPLING 10PCS FOR APPEARANCE AND DIMENSIONS TEST BEFORE PACKAGING.
4. PACKAGE: 50PCS/CTG ZIP-LOCK BAG, 200PKS/CARTON.

MANUFACTURED IN TAIWAN



DRAWING APPROVED _____		DATE _____	
SAMPLE APPROVED PER _____		DRAWING SPECIFICATIONS _____	
<small>PROPRIETARY & CONFIDENTIAL. THE INFORMATION CONTAINED IN THIS DRAWING IS THE SOLE PROPERTY OF CABLES TO GO. ANY REPRODUCTION IN PART OR AS A WHOLE WITHOUT THE WRITTEN PERMISSION OF CABLES TO GO IS PROHIBITED.</small>			
<input type="checkbox"/> DIMENSIONAL TOLERANCES UNLESS OTHERWISE NOTED X ±0.2 .XX ±0.12 .XXX ± ANGLES ± REV. Ø CUS. REV.	TITLE 1/2" CABLE CLAMP 50PK CUS. NAME CUS. P/N 43050 DWG. NO. 43050	 Service Through Every Connector ENG. DATE CHECKED DATE APPROVED DATE	