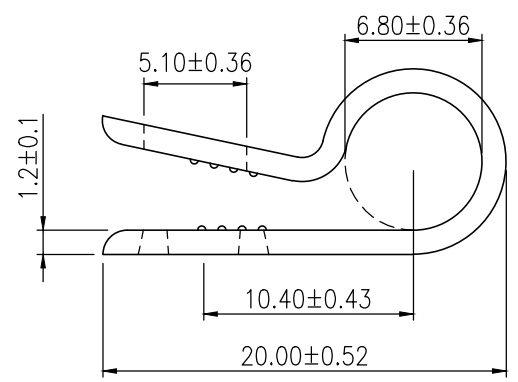
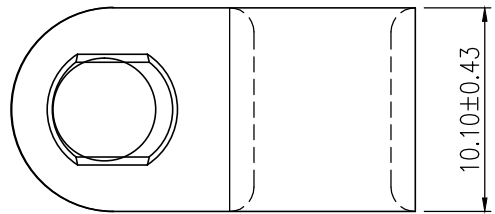


REV.	REVISION HISTORY	DATE
Ø	INITIAL RELEASE	MAY.05,2010



NOTES:

1. MATERIAL: NYLON 66, UL94V-2, NATURAL COLOR.
2. ALL MATERIALS ARE RoHS COMPLIANT.
3. TESTING: SAMPLING 10PCS FOR APPEARANCE AND DIMENSIONS TEST BEFORE PACKAGING.
4. PACKAGE: 50PCS/CTG ZIP-LOCK BAG, 540PKS/CARTON.

MANUFACTURED IN TAIWAN



DRAWING APPROVED _____		DATE _____	
SAMPLE APPROVED PER _____		DRAWING SPECIFICATIONS _____	
<small>PROPRIETARY & CONFIDENTIAL. THE INFORMATION CONTAINED IN THIS DRAWING IS THE SOLE PROPERTY OF CABLES TO GO. ANY REPRODUCTION IN PART OR AS A WHOLE WITHOUT THE WRITTEN PERMISSION OF CABLES TO GO IS PROHIBITED.</small>			
<input type="checkbox"/> X ±0.2 <input type="checkbox"/> .XXX ±	<input type="checkbox"/> mm SCALE 4:1 SHEET 1/1	TITLE 1/4" CABLE CLAMP 50 PK CUS. NAME CUS. P/N 43049 DWG. NO. 43049	 ENG. DATE CHECKED DATE APPROVED DATE