

**Part# 42667**

SFP-10G-LEGC5M-LEG

ALCATEL-LUCENT COMPATIBLE 10GBASE-AOC SFP+ DAC

ACTIVE OPTICAL CABLE 5M

**Features**

- Electrical interface compliant to SFF-8431
- Hot Pluggable
- 850nm VCSEL transmitter, PIN photo-detector receiver
- Operating case temperature: 0°C to 70°C
- All-metal housing for superior EMI performance
- RoHS compliant (lead free)

**SFP+AOC Specifications**

| Parameter                   | Description                             |
|-----------------------------|---|
| Module Form Factor          | SFP+ (Supports SFF8431/SFF8432/SFF8472) |
| Protocols Supported         | InfiniBrand, Ethernet, Fiber Channel    |
| Channel Data Rate           | Rate 1 to 10.3125Gbps                   |
| BER                         | $<10^{-12}$                             |
| Operating Case Temperature  | 0°C to 70°C                             |
| Storage Temperature         | -20 to + 85°C                           |
| Supply Voltage              | 3.3V                                    |
| Supply Current (typical)    | 230mA per end                           |
| Management Interface Serial | I <sup>2</sup> C (Supports SFF8472)     |

**Optical Characteristics**

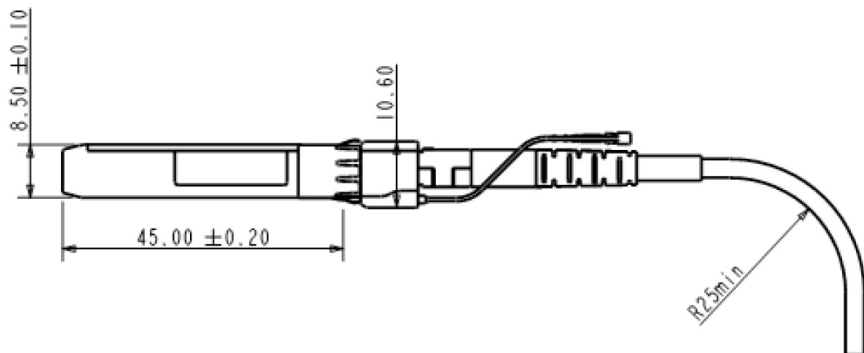
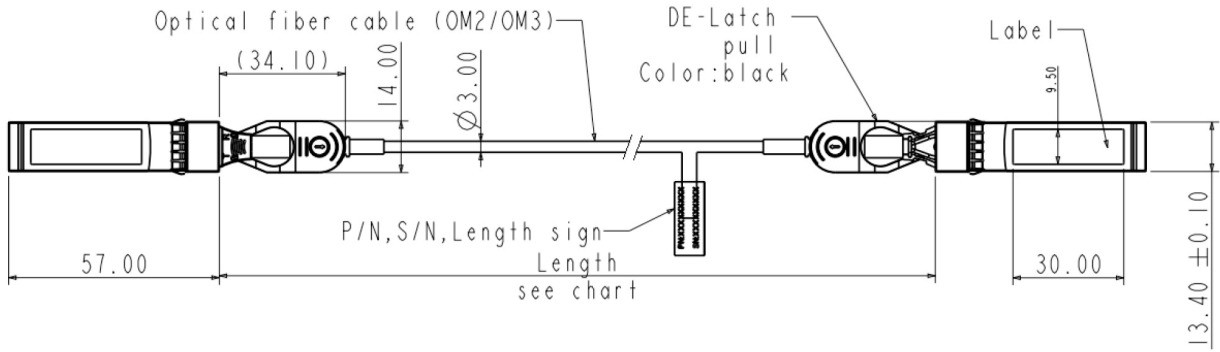
| Parameter                       | Symbol           | Min. | Typ. | Max. | Unit | Notes |
|---------------------------------|------------------|------|------|------|------|-------|
| <b>Transmitter</b>              |                  |      |      |      |      |       |
| Centre Wavelength               | $\lambda_C$      | 840  | 850  | 860  | nm   |       |
| RMS spectral width              | $\Delta\lambda$  |      |      |      | nm   | 1     |
| Average launch power, each lane | P <sub>out</sub> | -6.5 |      | -1   | dBm  | 2     |
| Extinction Ratio                | ER               | 3.5  |      |      | dB   | 3     |

|                                |                   |     |     |       |       |   |
|--------------------------------|-------------------|-----|-----|-------|-------|---|
| Transmitter Dispersion Penalty | TDP               |     |     | 3.9   | dB    |   |
| Relative Intensity Noise       | Rin               |     |     | -128  | dB/Hz | 4 |
| Optical Return Loss Tolerance  |                   |     |     | 12    | dB    |   |
| <b>Receiver</b>                |                   |     |     |       |       |   |
| Center Wavelength              | $\lambda_C$       | 840 | 850 | 860   | nm    |   |
| Receiver Sensitivity           | P <sub>sens</sub> |     |     | -11.1 | dBm   | 5 |
| Stress Sensitivity in OMA      |                   |     |     | -7.5  | dBm   | 5 |
| Los function                   | Los               | -30 |     | -12   | dBm   |   |
| Overload                       | Pin               |     |     | -1.0  | dBm   | 5 |
| Receiver Reflectance           |                   |     |     | -12   | dB    |   |

Note:

1. Tradeoffs are available between spectral width, center wavelength and minimum OMA.
2. The optical power is launched into MMF
3. Measured with PRBS 2<sup>31</sup>-1 test pattern @10.3125Gbps
4. 12dB reflection
5. Measured with PRBS 2<sup>31</sup>-1 test pattern @10.3125Gbps, BER≤10<sup>-12</sup>

**Mechanical Specification**



**C2G**  
A brand of **legrand**

3555 Kettering Blvd.  
Moraine, OH 45439  
800.CABL.911  
www.c2g.com