

**Part# 42664**

SFP-10G-LEGC10M-LEG

ALCATEL-LUCENT COMPATIBLE 10GBASE-AOC SFP+ DAC

ACTIVE OPTICAL CABLE 10M

**Features**

- Electrical interface compliant to SFF-8431
- Hot Pluggable
- 850nm VCSEL transmitter, PIN photo-detector receiver
- Operating case temperature: 0°C to 70°C
- All-metal housing for superior EMI performance
- RoHS compliant (lead free)

**SFP+AOC Specifications**

Parameter	Description
Module Form Factor	SFP+ (Supports SFF8431/SFF8432/SFF8472)
Protocols Supported	InfiniBrand, Ethernet, Fiber Channel
Channel Data Rate	Rate 1 to 10.3125Gbps
BER	$<10^{-12}$
Operating Case Temperature	0°C to 70°C
Storage Temperature	-20 to + 85°C
Supply Voltage	3.3V
Supply Current (typical)	230mA per end
Management Interface Serial	I <sup>2</sup> C (Supports SFF8472)

**Optical Characteristics**

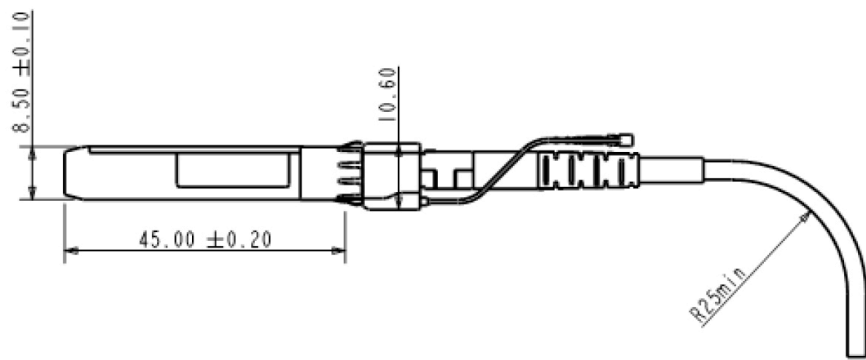
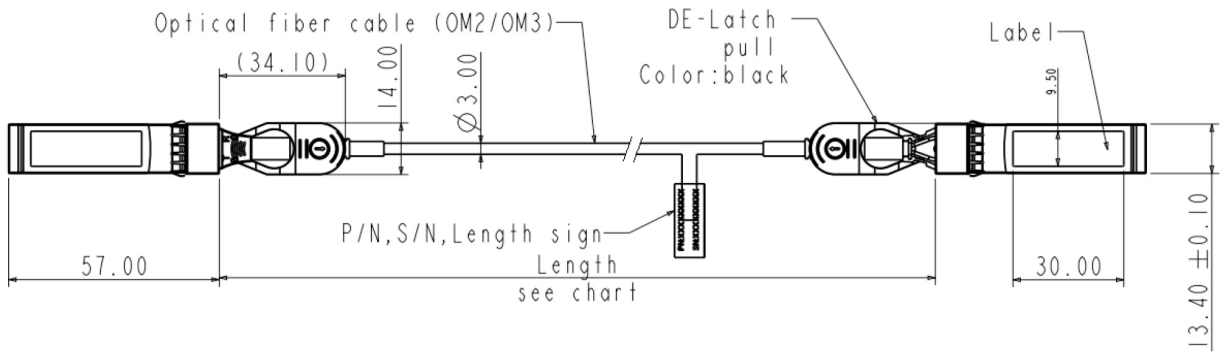
Parameter	Symbol	Min.	Typ.	Max.	Unit	Notes
<b>Transmitter</b>						
Centre Wavelength	$\lambda_C$	840	850	860	nm	
RMS spectral width	$\Delta\lambda$				nm	1
Average launch power, each lane	P <sub>out</sub>	-6.5		-1	dBm	2
Extinction Ratio	ER	3.5			dB	3

Transmitter Dispersion Penalty	TDP			3.9	dB	
Relative Intensity Noise	Rin			-128	dB/Hz	4
Optical Return Loss Tolerance				12	dB	
<b>Receiver</b>						
Center Wavelength	$\lambda_C$	840	850	860	nm	
Receiver Sensitivity	P <sub>sens</sub>			-11.1	dBm	5
Stress Sensitivity in OMA				-7.5	dBm	5
Los function	Los	-30		-12	dBm	
Overload	Pin			-1.0	dBm	5
Receiver Reflectance				-12	dB	

Note:

1. Tradeoffs are available between spectral width, center wavelength and minimum OMA.
2. The optical power is launched into MMF
3. Measured with PRBS 2<sup>31</sup>-1 test pattern @10.3125Gbps
4. 12dB reflection
5. Measured with PRBS 2<sup>31</sup>-1 test pattern @10.3125Gbps, BER≤10<sup>-12</sup>

**Mechanical Specification**



3555 Kettering Blvd.  
Moraine, OH 45439  
800.CABL.911  
www.c2g.com