

**Part# 42618**

SFP-10G-ADAC2M-LEG  
10GBASE-CU SFP+ DAC  
TWINAX 2M ACTIVE

**Features**

- Support for multi-gigabit data rates up to 10 Gb/s
- Data rates backward compatible to 1 Gb/s
- Hot-Pluggable SFP 20PIN footprint
- Improved Pluggable Form Factor (IPF) compliant for enhanced EMI/EMC performance
- Low Power Consumption <0.2W
- Power Supply: +3.3V
- Compatible to SFP+ MSA
- Compatible to SFF-8431, SFF-8432
- Temperature Range: 0~70°C
- RoHS Compatible

**Application**

- High Capacity I/O in Storage Area Networks, Network Attached Storage, and Storage Servers
- Switched fabric I/O such as ultra high bandwidth switches and routers
- Data center cabling infrastructure
- High density connections between networking equipment

**Product Description**

The SFP-10G-ADAC2M-LEG active cable assemblies are high performance, cost effective I/O solutions for 10G Ethernet and 10G Fiber Channel applications. SFP+ copper modules allow hardware manufacturers to achieve high port density, configurability and utilization at a very low cost and reduced power budget. The high-speed cable assemblies meet and exceed Gigabit Ethernet and Fiber channel industry standard requirements for performance and reliability.

## Recommended Operating conditions

Parameter	Symbol	Min	Typ.	Max.	Unit
Storage Temperature		-40		85	°C
Operating Case Temperature	Tc	0		70	°C
Power Supply Volrage	V <sub>CC3</sub>	3.14	3.3	3.47	V
Power Dissipation	PD			0.2	W

## Systems

Parameter	Media	Operating Parameters
10 Gb/s line speed, full duplex Bit error rate: better than 10E-12	Hot-pluggable, industry-standard Small Form-Factor Pluggable (SFP+) copper cable, available max 15m.	Supply Voltage: 3.3V Power consumption (per end): max 0.2W

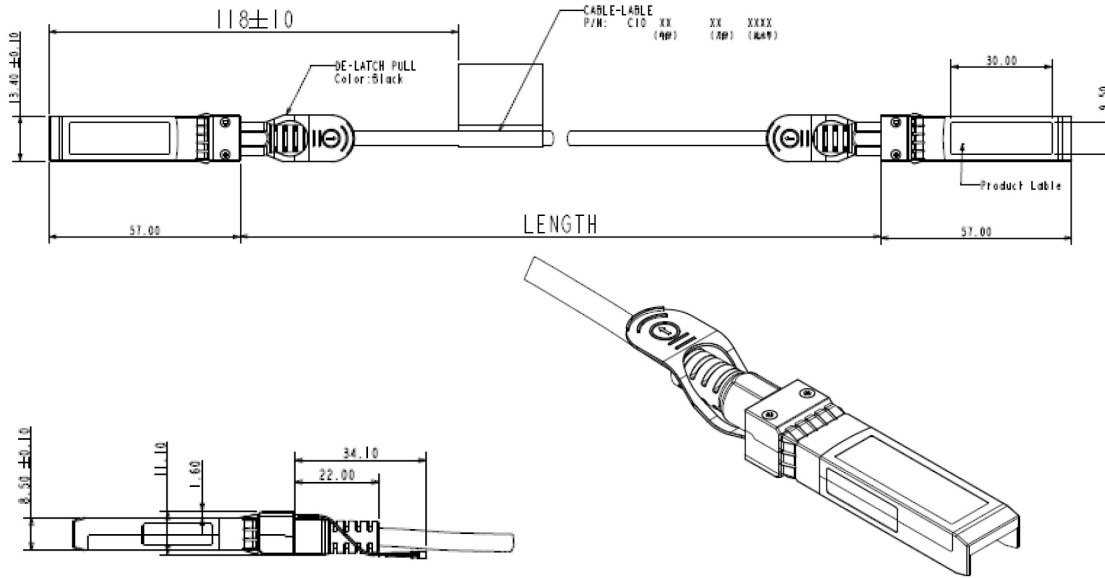
## Pin Descriptions

Pin	Logic	Symbol	Name/Description	Notes
1		VeeT	Transmitter Ground	
2	LV-TTL-O	TX_Fault	N/A	1
3	LV-TTL-I	TX_DIS	Transmitter Disable	
4	LV-TTL-I/O	SDA	Tow Wire Serial Data	
5	LV-TTL-I	SCL	Tow Wire Serial Clock	
6		MOD_DEF0	Module present, connect to VeeT	
7	LV-TTL-I	RS0	N/A	1
8	LV-TTL-O	LOS	LOS of Signal	
9	LV-TTL-I	RS1	N/A	1
10		VeeR	Receiver Ground	
11		VeeR	Receiver Ground	
12	CML-O	RD-	Receiver Data Inverted	
13	CML-O	RD+	Receiver Data Non-inverted	
14		VeeR	Receiver Ground	
15		VccR	Receiver Supply 3.3V	
16		VccT	Transmitter Supply 3.3V	
17		VeeT	Transmitter Ground	
18	CML-I	TD+	Transmitter Data Non-Inverted	
19	CML_I	TD-	Transmitter Data Inverted	
20		VeeT	Transmitter Ground	

**Note:**

- 1. Signals not supported in SFP+ Copper pulled-down to VeeT with 30K ohms resistor

**Mechanical Specification**



3555 Kettering Blvd.  
Moraine, OH 45439  
800.CABL.911  
www.c2g.com