



Bluetooth Receiver Cable

- Utilizes Bluetooth A2DP+EDR technology
- Supports a range of 10m
- Easily connects with home stereos, tablets, notebooks, etc
- Lifetime Warranty



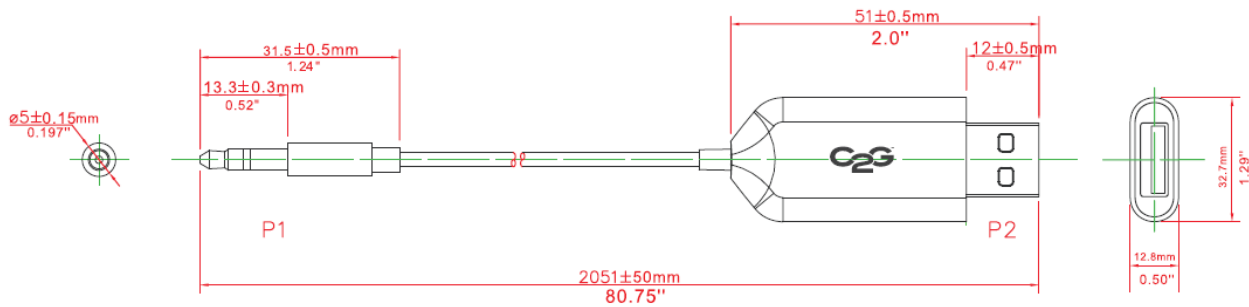
Specifications: Bluetooth Receiver Cable

Electrical Specifications:

Bluetooth Technology:	A2DP+EDR AVRCP
Distortion (standard output):	<0.5%
Frequency Response:	30Hz-18KHz
Power:	USB

Physical Specifications:

Cable Length:	2m (6.6ft)
Approvals:	CE
Warranty:	Lifetime



Part Number	Description	Weight (lbs)
41322	Bluetooth Receiver	
41323	Bluetooth Receiver Kit	

