

SPECIFICATION SHEET



DisplayPort, HDMI, and VGA to HDMI Adapter Converter Switch

- Switch between HDMI, VGA, and DisplayPort Audio/Video inputs to HDMI Audio/Video output
- Convert a VGA video and embed 3.5mm stereo audio signal to HDMI Audio/Video output
- Maximum VGA resolution: 1080p 60Hz
- Maximum HDMI resolution: 3840x2160 30Hz
- 3 year warranty

Specifications: DisplayPort, HDMI, and VGA to HDMI Adapter Converter Switch

Physical Specifications:

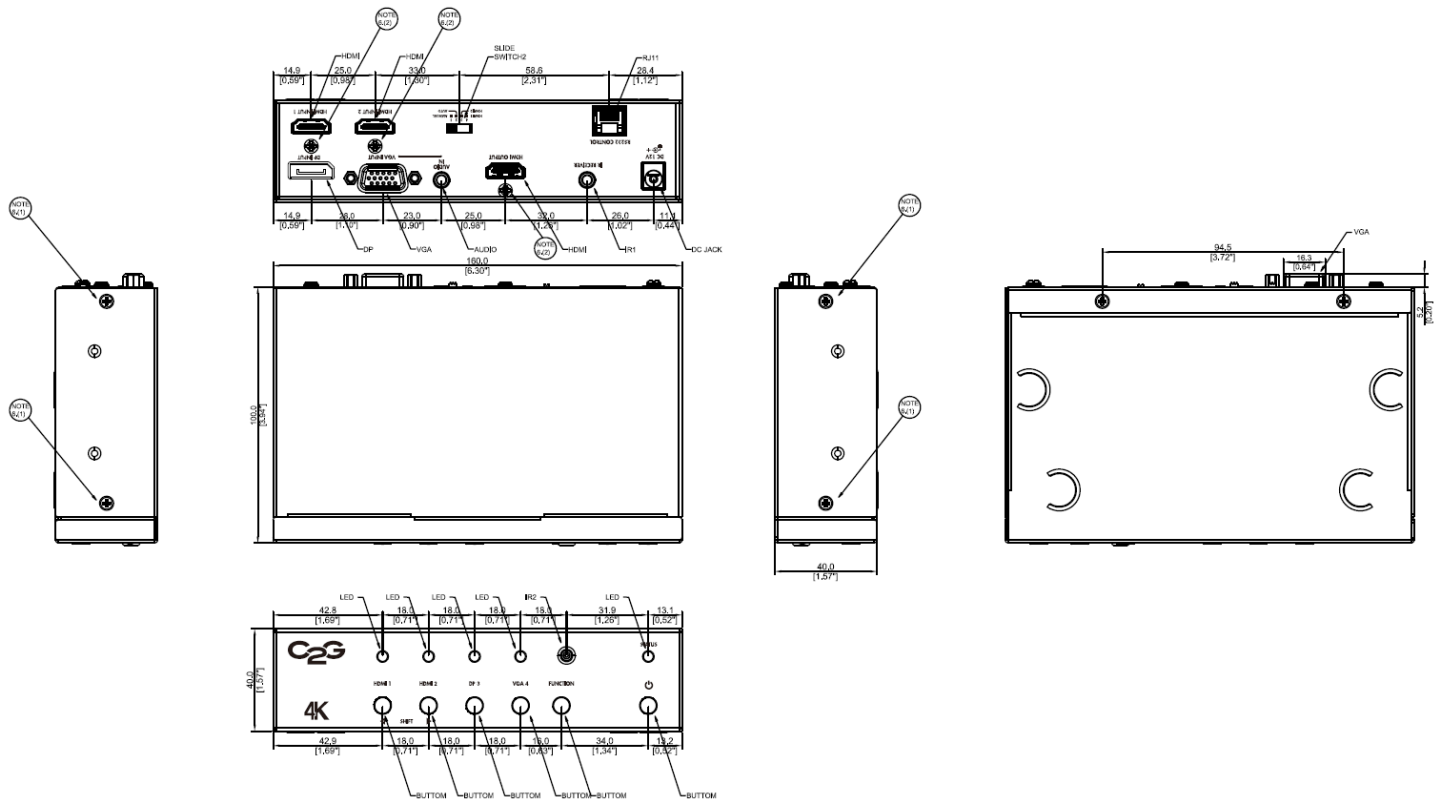
Audio / Video Input Ports:	HDMI x2, DisplayPort, VGA, 3.5mm Stereo
Audio / Video Output Port:	HDMI
Control Ports:	3.5mm IR Control, RJ11 Serial
Dimensions (HxWxD):	40 x 160 x 100mm
Operating Temperature:	0°C to 40°C; 0-80% RH (Non-Condensing)
Storage Temperature:	-10°C to 60°C; 0-80% RH (Non-Condensing)

Signal Specifications:

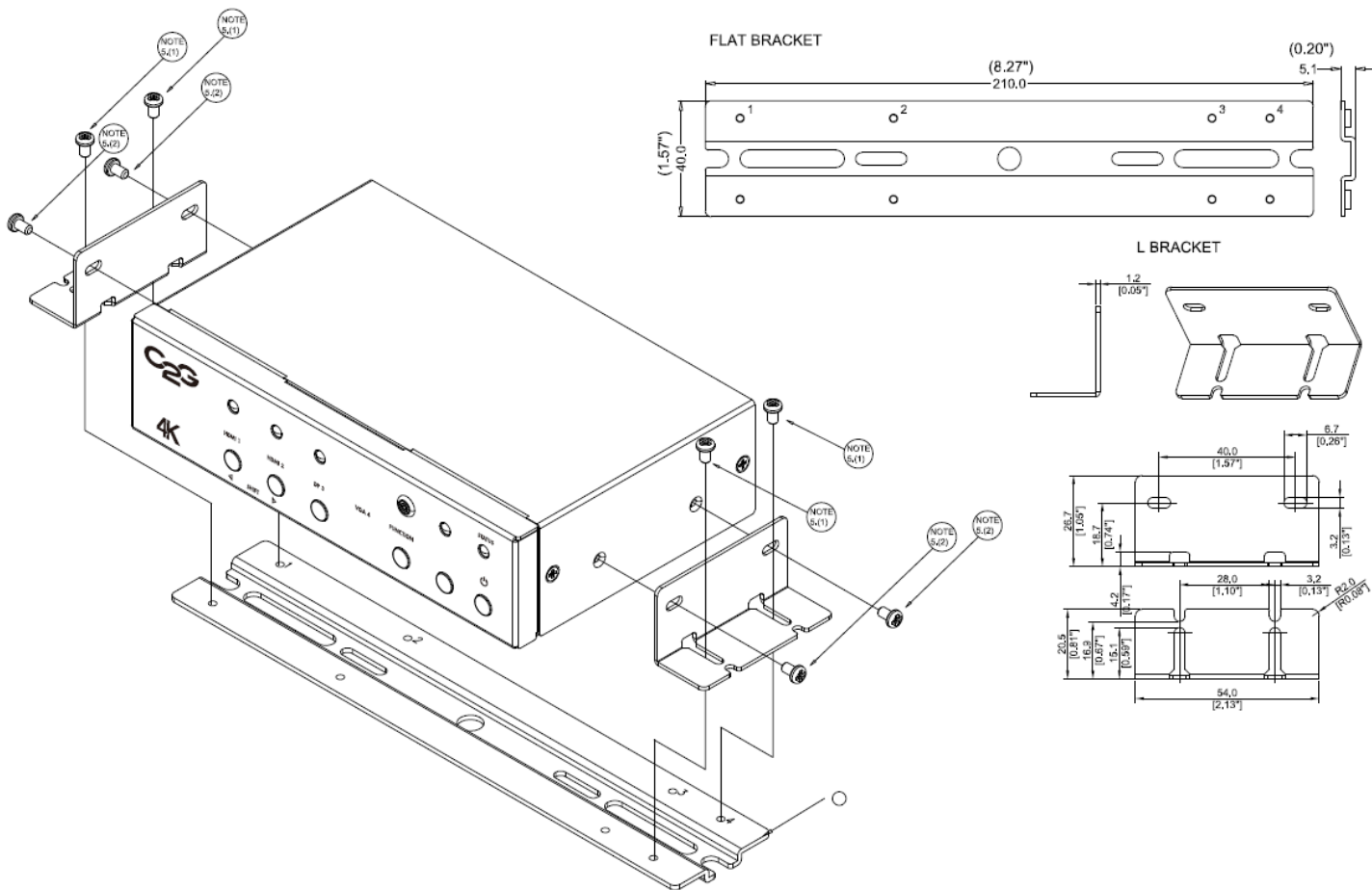
Video Input Signal Support:	DisplayPort, HDMI, VGA
Video Output Signal Support:	HDMI
Maximum VGA Resolution:	1080p 60Hz
Maximum HDMI Resolution:	3840x2160 30Hz

Power Adapter Specifications:

Electrical Input:	100~240 VAC, 50~60Hz 0.6A
Electrical Output:	12VDC 1.5A
Mechanical Dimensions (HxWxD):	74 x 43.5 x 35.3mm
Cable Length:	1530mm ± 15mm
Pin Outer Diameter:	5.5mm
Pin Inner Diameter:	2.1mm
Center Pin Polarity:	Positive



Specifications: DisplayPort, HDMI, and VGA to HDMI Adapter Converter Switch



Part Number	Description	Weight (lbs)
40848	DisplayPort, HDMI, and VGA to HDMI Adapter Converter Switch	1.90



CABLES TO GO

Cables To Go
 3555 Kettering Blvd.
 Moraine, OH 45439
 Phone: 800.287.2843
 www.c2g.com

