



USB 2.0 Driverless Transfer Cable

- Plug and Play style, requires no drivers
- Works with both Windows and Mac
- Compatible with USB 2.0 speeds

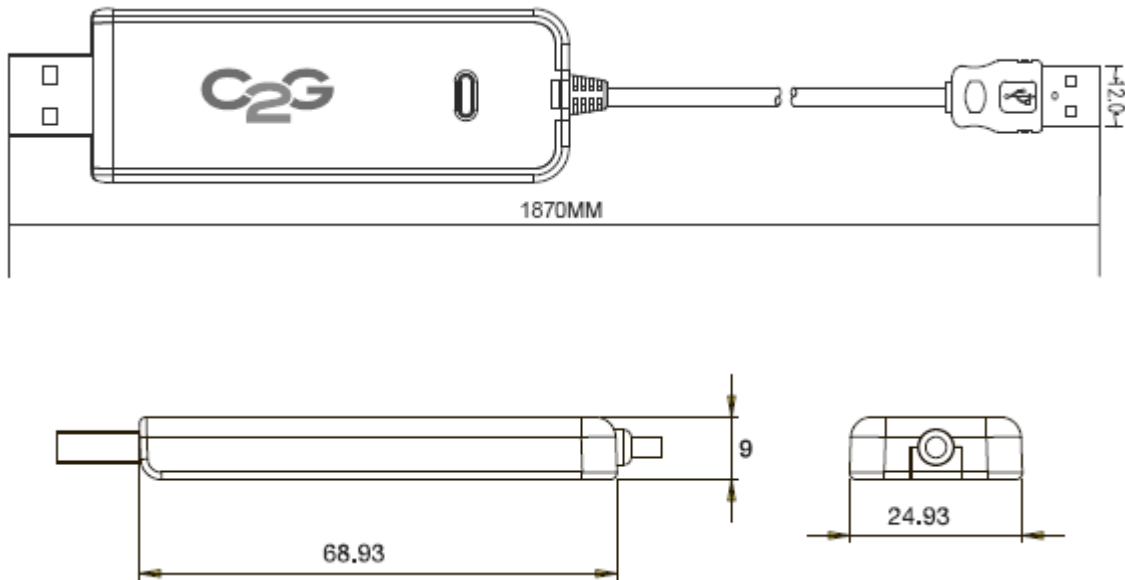
Specifications: USB 2.0 Driverless Transfer Cable

Signal Specifications:

Signal Support:	USB
Specification	2.0
Windows Operating Systems Supported	XP, Vista, 7, and 8
Mac Operating Systems Supported	v10.4 or v10v5

Physical Characteristics:

Connectors:	USB A Male x2
Cable Length	6ft
Dimensions (HxWxD):	9x24.93x68.93mm
Operating Temperature:	0°-40°C
Storage Temperature	-10°C~80°C



Part Number	Description	Weight (lbs)
39941	USB 2.0 Driverless Transfer Cable	0.2

