



USB 3.0 to Gigabit Ethernet Network Adapter

- Perfect for computers that do not offer an RJ45 network port
- Supports full Gigabit speeds
- USB 3.0 compatibility



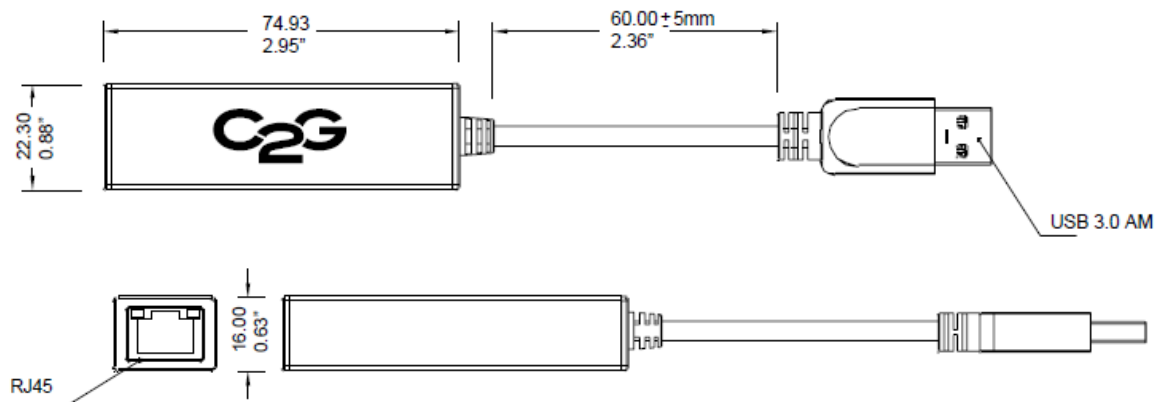
Specifications: USB 3.0 to Gigabit Ethernet Network Adapter

Electrical Characteristics:

USB Specification:	USB 3.0
Power Mode:	USB Bus Power 5v
Supported OS:	Windows XP, 7, 8, Mac OS10.6~10.8
Operating Temperature:	0°C ~ 40°C
Storage Temperature:	-20°C ~ 70°C

Physical Characteristics:

Approvals:	CE compliant for RoHS2
Housing:	Aluminum
Dimensions:	74.93 x 22.3 x 16mm
Connections:	RJ45 Female USB 3.0 A Male



Part Number	Description	Weight (lbs)
39700	USB 3.0 to Gigabit Ethernet Network Adapter	0.185

