



## USB A to Lightning Cable

- Sync and charging cable
- MFI Certified
- Compatible with iPad 4th Generation+, iPad Mini, iPhone 5+, iPod Touch 5th Generation+



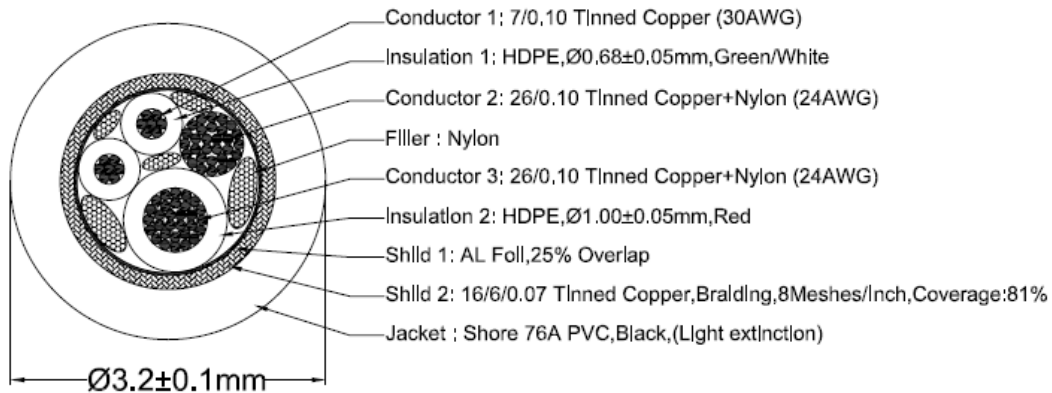
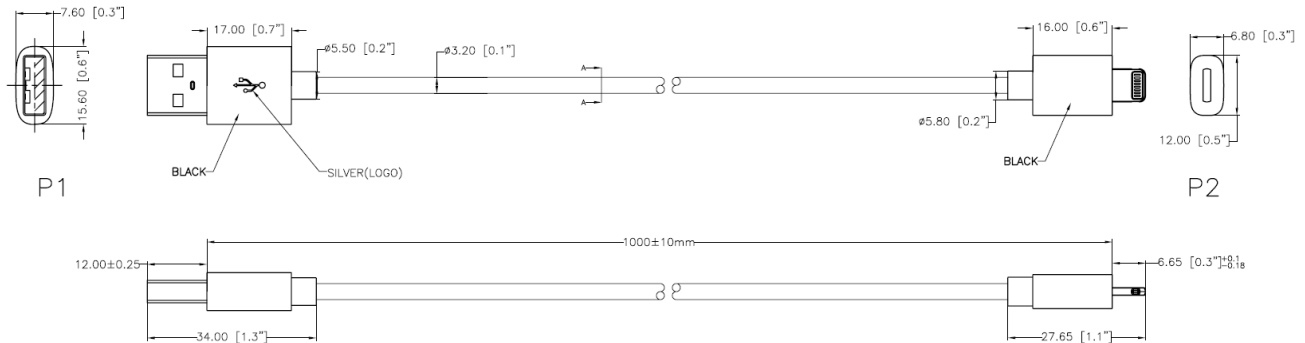
# Specifications: USB A to Lightning Cable

## Electrical Specifications:

Nominal Impedance with Tolerance:	100Ω
Nominal Capacitance:	95.2 pF/m
Insulation Resistance:	10MΩ

## Physical Specifications:

Conductor1:	7/0.10 Tinned Copper (30AWG)
Insulation:	HDPE, $\varnothing 0.68 \pm 0.05$ mm Green/White
Conductor2:	26/0.10 Tinned Copper+Nylon (24AWG)
Conductor3:	26/0.10 Tinned Copper+Nylon (24AWG)
Insulation:	HDPE, $\varnothing 1.00 \pm 0.05$ mm, Red
Shield 1:	AL Foil, 25% Overlap
Shield 2:	16/6/0.07 Tinned Copper, Braiding, 8 meshes/inch Coverage: 81%
Jacket:	Shore 76A PVC, Black
OD:	$\varnothing 3.2 \pm 0.1$ mm



Part Number	Description	Weight (lbs)
35498	1m USB A to Lightning Cable—White	0.071
35499	1m USB A to Lightning Cable—Black	0.071

