

DATA SHEET



Table Mount for the Logitech® Connect

Securely mount the Logitech Connect conference system to a table

OVERVIEW

The Table Mount for the Logitech Connect offers security, stability, and convenience in a clean, tabletop surface mount for conference rooms, huddle spaces, or other meeting spaces. The mount can be affixed to the table with four tamper resistant screws or it can rest on four slip resistant rubber feet. The Logitech Connect is clamped into the mount with a tamper resistant screw that ensures that it will not be removed from the mount. The clamp also maintains a stable image with a vibration reduction pedestal, located directly below the Connect. Though mounted inside the clamp, the Connect can still be rotated left or right to position the camera and microphone at the optimal angle. The Table Mount for the Logitech Connect is designed with 14-gauge steel that is capable of a sustained weight of five pounds—five times greater than the weight of the Connect. The rubber cable grommet can channel an HDMI cable, USB cable, and power cord, which locks through the mount—providing strain relief to the cables to ensure a clean installation.

FEATURES

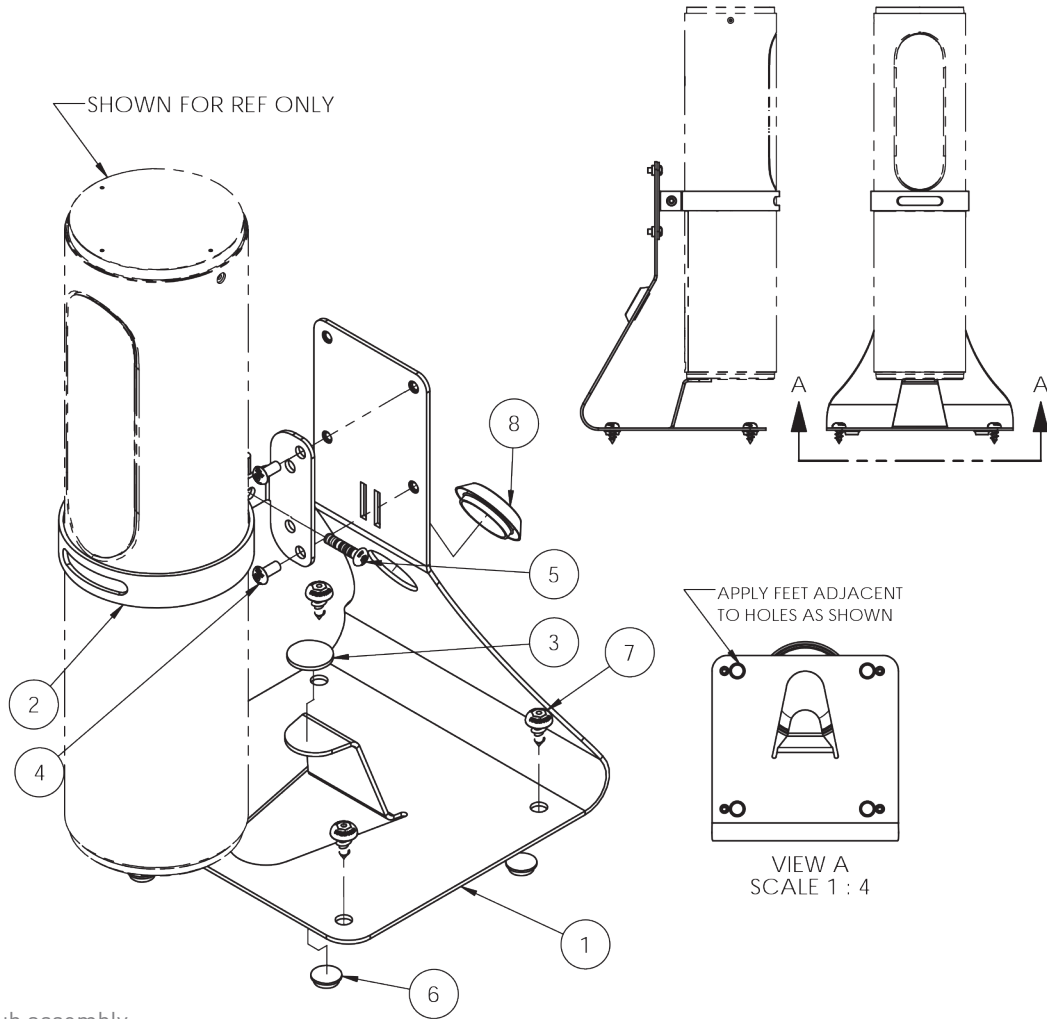
- Robust 14-gauge steel construction
- Tamper resistant screws
- Locking horizontal angle adjustment
- Rubber grommet for cable pass through
- Hook and loop cable management strap

DATA SHEET

PHYSICAL CHARACTERISTICS

Dimensions: (HxWxD) 219.6mm x 152.2mm x 151.6mm

Construction: 14-gauge steel



Parts list

- 1 Table mount
- 2 Band clamp sub assembly
- 3 Vibration reduction shim
- 4 8-32 x 3/8" tamper resistant band clamp sub assembly screws – Qty 4
- 5 8-32 x 3/4" tamper resistant band clamp assembly screw
- 6 Slip resistant rubber feet – Qty 4
- 7 #14 x 1/2" tamper resistant mounting screws – Qty 4
- 8 Rubber grommet
- 9 6" hook and loop strap (not shown)

ITEM DESCRIPTION

34051 Table Mount for Logitech Connect

C2G
A brand of **Legrand**

3555 Kettering Blvd.
Moraine, OH 45439
Phone: 800.CABL.911
www.c2g.com

Follow Us

