

DATA SHEET



Wall Mount for the Logitech® Connect

Securely mount the Logitech Connect conference system to a wall

OVERVIEW

The Wall Mount for the Logitech Connect offers security, stability, and convenience in a clean, modern, on-wall install for conference rooms, huddle spaces, or other meeting spaces. The Wall Mount for the Logitech Connect is designed with 14-gauge steel that is capable of a sustained weight of five pounds—five times greater than the weight of the Connect. The rubber cable grommet can channel an HDMI cable, USB cable, and power cord, which locks through the mount—providing strain relief to the cables and ensuring a clean installation. The mount is affixed to the wall with three tamper resistant screws. The Logitech Connect is clamped into the mount with a tamper resistant screw with two locking washers that ensures that it will not be removed from the mount. The clamp also maintains the vertical angle it is set to while still being able to rotate horizontally.

FEATURES

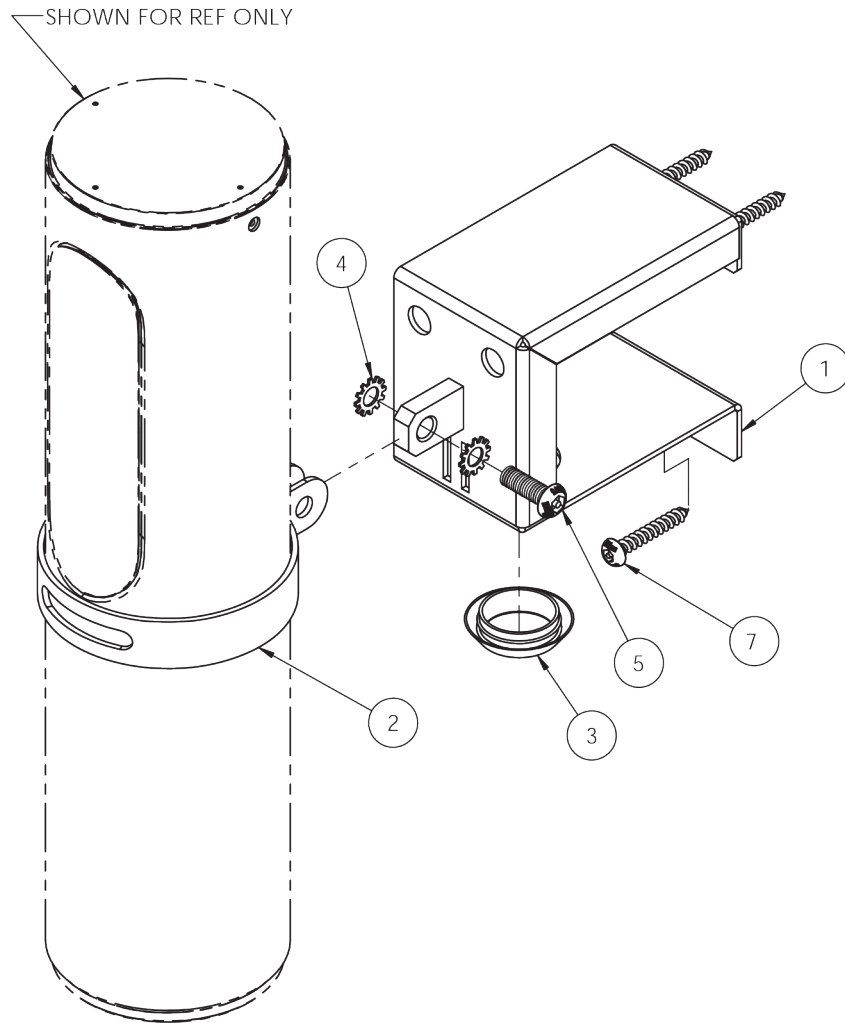
- Robust 14-gauge steel construction
- Tamper resistant screws
- Locking vertical and horizontal angle adjustment
- Rubber grommet for cable pass through
- Hook and loop cable management strap

DATA SHEET

PHYSICAL CHARACTERISTICS

Dimensions: (HxWxD) 92.08mm x 54.85mm x 120.11mm

Construction: 14-gauge steel



Parts list

- 1 Wall mount
- 2 Band clamp sub assembly
- 3 Rubber grommet
- 4 1/4" heavy duty lockwashers – Qty 2
- 5 1/4-20 x 3/4" tamper resistant band clamp sub assembly screw
- 6 6" hook and loop strap (not shown)
- 7 #10 x 1-1/4" tamper resistant mounting screws – Qty 3

ITEM DESCRIPTION

34050 Wall Mount for Logitech Connect

C2G
A brand of **Legrand**

3555 Kettering Blvd.
Moraine, OH 45439
Phone: 800.CABL.911
www.c2g.com

Follow Us

