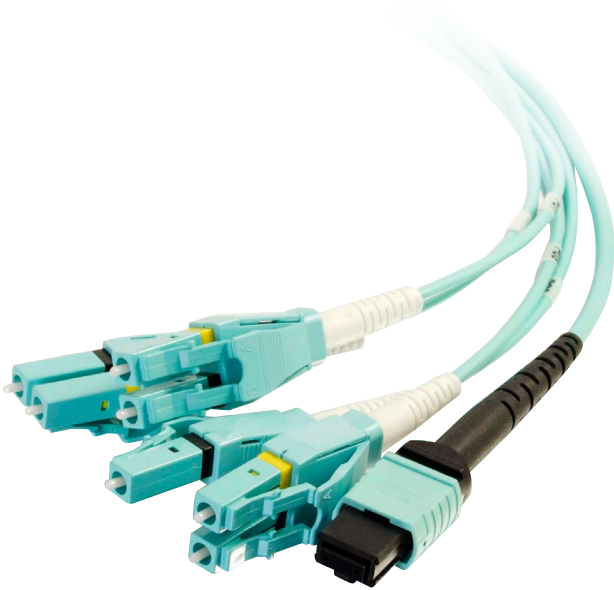


DATA SHEET



MPO to 4 Duplex LC Fiber Breakout Cable - OM4 Riser Rated (OFNR)

Breakout 8 fibers from an MPO trunk connector to 4 LC duplex connectors

OVERVIEW

This riser rated OM4 laser-optimized multimode (LOMMF) MPO fiber cable is ready for deployment in any multimode 50/125 MTP/MPO network. OM4 is fully backward-compatible with existing OM3 systems. This multimode, MPO fiber cable is comprised of 8 fibers or 4 duplex channels within each connector (the center 4 fibers are not used). These high density cables are perfect when you have limited space, making it possible to run a single cable that automatically terminates 8 fibers in one easy plug-in. The fan-out side has 8 LC connectors that are numbered according to the fiber position in the MPO Connector and duplexed together. The push-pull release mechanism for the MPO connector is easy to engage and disengage, its latch design also prevents the plug from snagging when jumper cables are being routed.

FEATURES

- Labeled duplex LC connectors correspond with the fiber pinout on the MPO connector (no guide pins)
- Riser rated (OFNR) jacket
- 3mm diameter at the MPO side to 2mm on the breakout side
- MPO fans out to 8 fibers with LC connectors
- Rotatable LC fiber connectors for quick and easy polarity adjustments

DATA SHEET

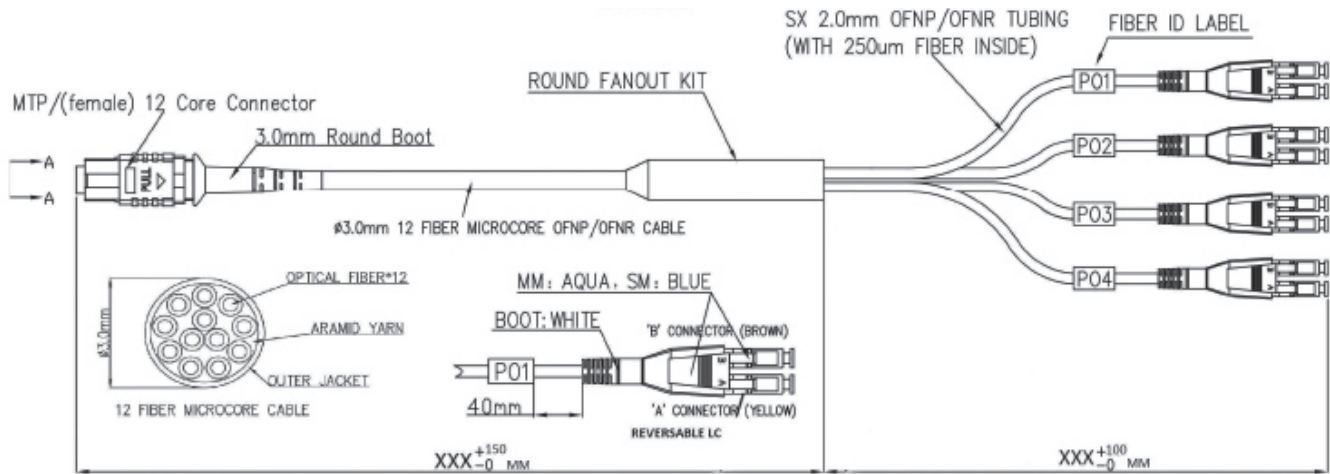
FIBER CORE CHARACTERISTICS:

Optical Fiber Type - 50 Multimode
 ISO/IEC 11801 Nomenclature - OM4
 Wavelength (nm) - 850/1300
 Maximum Attenuation (dB/km) - 3.0/1.0
 Minimum Over Filled Launch (OFL) - 1500/500 MHz km
 Minimum Effective Modal - 4700/— (MHz km)
 Serial 1 Gigabit Ethernet Distance (m) - 1000/600
 Serial 10 Gigabit Ethernet Distance (m) - 550/—
 Maximum Connector Loss: 0.50 dB

PHYSICAL CHARACTERISTICS:

Jacket material: PVC (OFNR riser rated)
 Jacket OD: 3.0 mm
 Installation Tensile Load: 100 N (445 lbs)
 Long-Term Tensile Load: 50 N (222 lbs)
 Installation Minimum Bend Radius: 4.5 cm (1.8 in)
 Long-Term Minimum Bend Radius: 3.0 cm (1.2 in)
 Typical Return Loss: -22 dB
 Operating Temperature: -20°C to +70°C

Please Note: Attenuation testing performed in accordance with EIA/TIA-455-171A.



ITEM DESCRIPTION

- 31331 1m MPO to 4 Duplex LC Fiber Breakout Cable - OM4 Riser Rated (OFNR)
- 31332 2m MPO to 4 Duplex LC Fiber Breakout Cable - OM4 Riser Rated (OFNR)
- 31333 3m MPO to 4 Duplex LC Fiber Breakout Cable - OM4 Riser Rated (OFNR)

C2G
 A brand of **Legrand**

3555 Kettering Blvd.
 Moraine, OH 45439
 Phone: 800.CABL.911
 www.c2g.com

Follow Us

