

## SPECIFICATION SHEET



### HDMI Cable With Gripping Connectors

- Provides 3 times greater retention than standard HDMI
- Supports Standard Speed HDMI with Ethernet
- Supports resolutions up to 1080i
- Gold plated connectors
- Lifetime Warranty

# Specifications: HDMI Cable With Gripping Connectors

## Electrical Specifications:

---

Voltage:	30V
Dielectric Strength:	AC-500V/S Minute
Insulation Resistance:	DC 500 100M $\Omega$ Km Min. at 20°C
Conductor Resistance:	24AWG 93 $\Omega$ /Km max at 20°C

## Physical Specifications:

---

Cable Outer Diameter:	10.50mm $\pm$ 0.15mm
Shield:	Aluminum Mylar - 100% Coverage 25% Overlap minimum Braid - A-M Alloy 24/11/0.12mm
Drain:	24AWG Tinned Copper 7/0.20 $\pm$ 0.008mm

## Conductor:

---

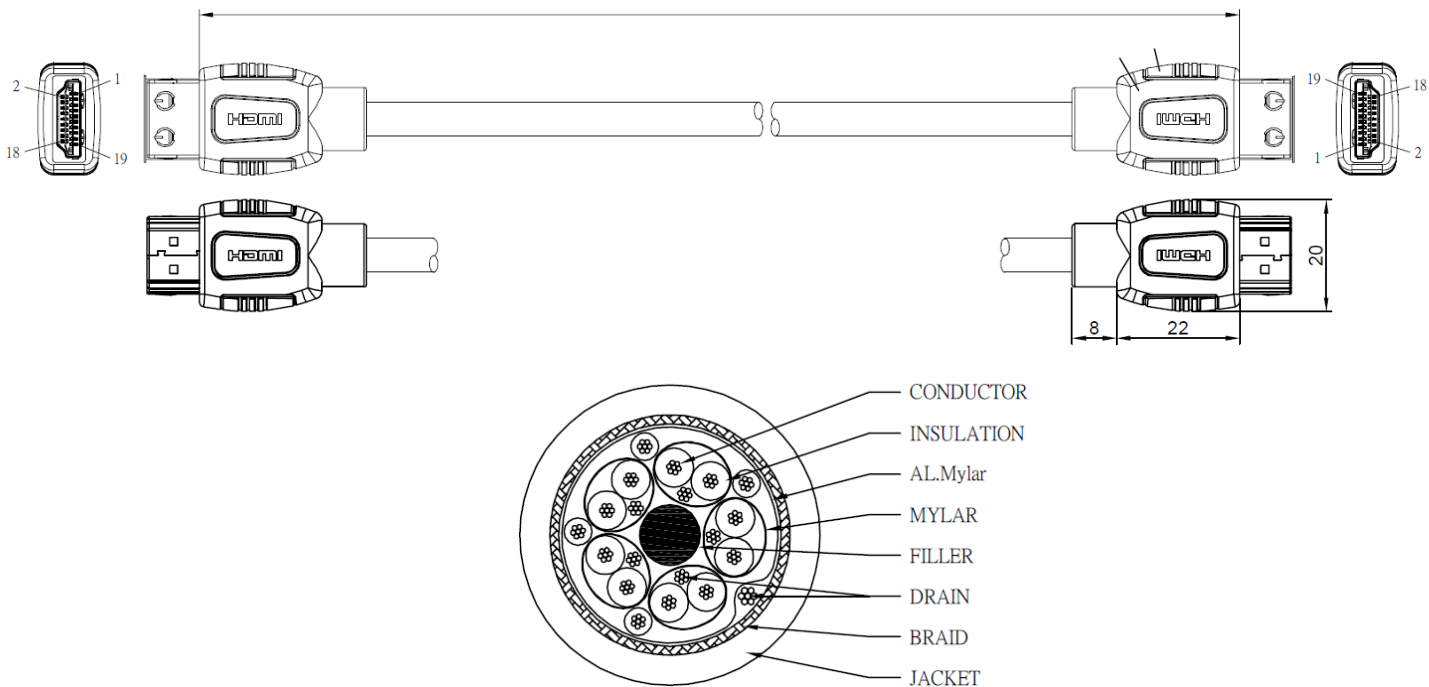
Material:	Tinned Copper
Size:	24AWG 7/0.20
Insulation Pairs:	FM-PE+Skin
Color Pairs:	Black/White Brown/White Red/White Green/White Blue/White
Insulation Single:	HD-PE
Color Single:	Red, Orange, Yellow, White

## HDMI Connector

---

Gender:	Male
Insulation:	Black
Contact Material:	Gold Flashing
Port Retention:	6.6lbs Minimum withdraw force

# Specifications: HDMI Cable With Gripping Connectors



Part Number	Description	Weight (lbs)
29685	40ft HDMI cable with gripping connectors	1.97
29686	50ft HDMI cable with gripping connectors	2.43



**CABLES TO GO**

Cables To Go  
 3555 Kettering Blvd.  
 Moraine, OH 45439  
 Phone: 800.287.2843  
 www.c2g.com

Follow Us

