

SPECIFICATION SHEET



HDMI Cable With Gripping Connectors

- Provides 3 times greater retention than standard HDMI
- High-Speed HDMI Cable with Ethernet
- Supports high bandwidth features such as:
 - Ultra HD
 - 4k @ 50/60hz
 - 3D
 - Deep Color
 - Dolby True HD
 - DTS-HD Master Audio
- Gold plated connectors
- Lifetime Warranty

Specifications: HDMI Cable With Gripping Connectors

Electrical Specifications:

Voltage:	30V
Dielectric Strength:	AC-500V/S Minute
Insulation Resistance:	DC 500 100M Ω Km Min. at 20°C
Conductor Resistance:	26AWG 148 Ω /Km max at 20°C

Physical Specifications:

Cable Outer Diameter:	8.50mm \pm 0.20mm
Shield:	Aluminum Mylar - 100% Coverage 25% Overlap minimum
	Braid - A-M Alloy 24/9/0.12mm
Drain:	26AWG Tinned Copper 7/0.16 \pm 0.008mm

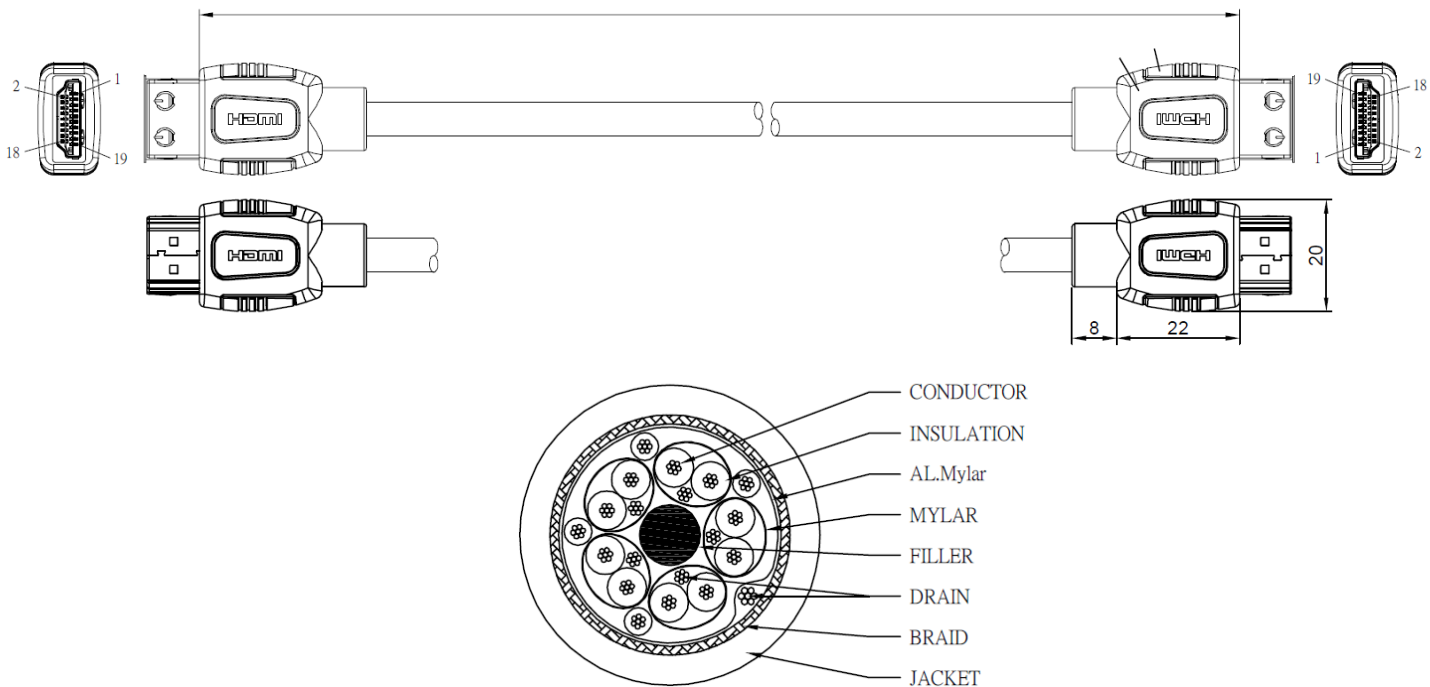
Conductor:

Material:	Tinned Copper
Size:	26AWG 7/0.16
Insulation Pairs:	FM-PE+Skin
Color Pairs:	Black/White Brown/White Red/White Green/White Blue/White
Insulation Single:	HD-PE
Color Single:	Red, Orange, Yellow, White

HDMI Connector

Gender:	Male
Insulation:	Black
Contact Material:	Gold Flashing
Port Retention:	6.6lbs Minimum withdraw force

Specifications: HDMI Cable With Gripping Connectors



Part Number	Description	Weight (lbs)
29683	25ft HDMI cable with gripping connectors	1.28



CABLES TO GO

Cables To Go
 3555 Kettering Blvd.
 Moraine, OH 45439
 Phone: 800.287.2843
 www.c2g.com

Follow Us

