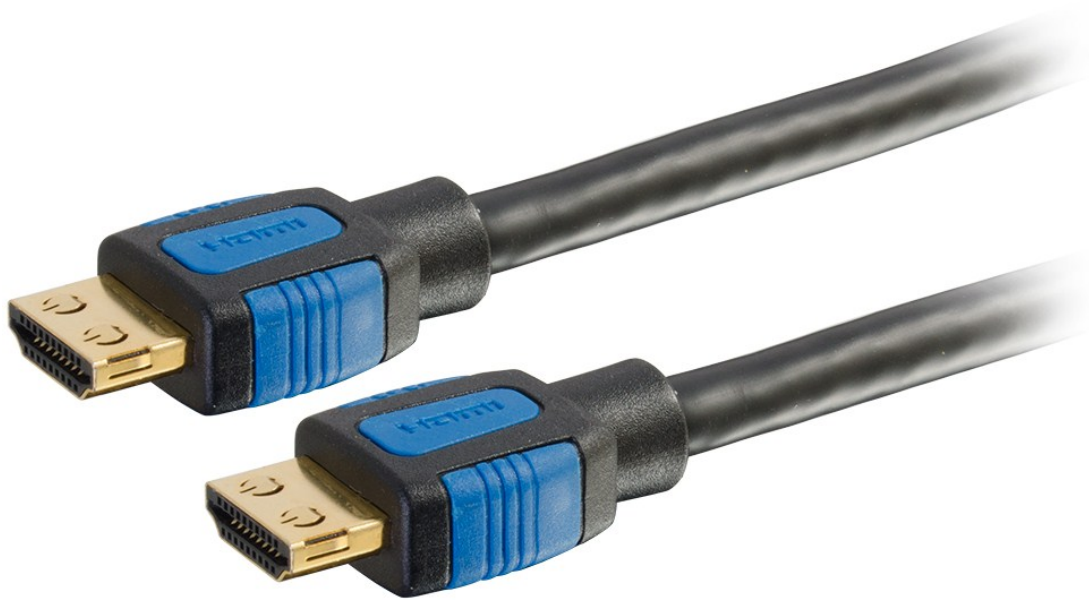


## SPECIFICATION SHEET



## HDMI Cable With Gripping Connectors

- Provides 3 times greater retention than standard HDMI
- High-Speed HDMI Cable with Ethernet
- Supports high bandwidth features such as:
  - Ultra HD
  - 4k @ 50/60hz
  - 3D
  - Deep Color
  - Dolby True HD
  - DTS-HD Master Audio
- Gold plated connectors
- Lifetime Warranty

# Specifications: HDMI Cable With Gripping Connectors

## Electrical Specifications:

---

Voltage:	30V
Dielectric Strength:	AC-500V/S Minute
Insulation Resistance:	DC 500 100M $\Omega$ Km Min. at 20°C
Conductor Resistance:	28AWG 237 $\Omega$ /Km max at 20°C

## Physical Specifications:

---

Cable Outer Diameter:	7.10mm $\pm$ 0.15mm
Shield:	Aluminum Mylar - 100% Coverage 25% Overlap minimum Braid - A-M Alloy 16/10/0.12mm
Drain:	28AWG Tinned Copper 7/0.127 $\pm$ 0.008mm

## Conductor:

---

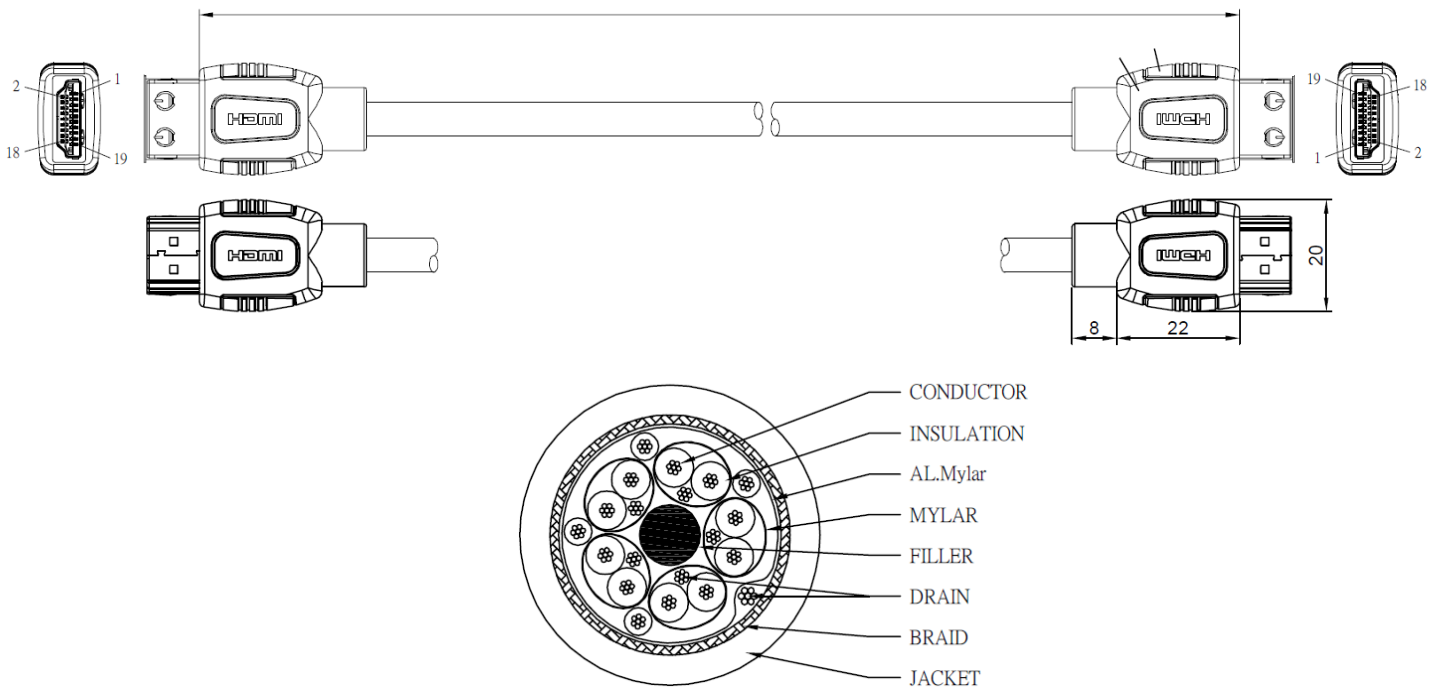
Material:	Tinned Copper
Size:	28AWG 7/0.127
Insulation Pairs:	FM-PE+Skin
Color Pairs:	Black/White Brown/White Red/White Green/White Blue/White
Insulation Single:	HD-PE
Color Single:	Red, Orange, Yellow, White

## HDMI Connector

---

Gender:	Male
Insulation:	Black
Contact Material:	Gold Flashing
Port Retention:	6.6lbs Minimum withdraw force

# Specifications: HDMI Cable With Gripping Connectors



Part Number	Description	Weight (lbs)
29678	10ft HDMI cable with gripping connectors	.47
29679	12ft HDMI cable with gripping connectors	.51
29680	15ft HDMI cable with gripping connectors	1.01
29681	16.5ft HDMI cable with gripping connectors	1.13
29682	20ft HDMI cable with gripping connectors	1.21



**CABLES TO GO**

Cables To Go  
 3555 Kettering Blvd.  
 Moraine, OH 45439  
 Phone: 800.287.2843  
 www.c2g.com

Follow Us

