

SPECIFICATION SHEET



Short Range HDMI + USB over Cat5 Extender

- Extend HDMI audio/video signals and USB up to 75feet
- Supports EDID pass through and HDCP
- Supports resolutions up to 1080p
- Supports USB 2.0 and is backward compatible with USB 1.1
- Kit includes both the transmitter and receiver units
- 3 year Warranty

Specifications: Short Range HDMI + USB over Cat5 Extender

Video Characteristics:

| | |
|---------------------|--|
| Maximum Resolution: | 1080p at 60Hz |
| Extension Distance | Solid Conductor Cat6—1080i—75ft Solid Conductor Cat6—1080p—75ft Solid Conductor Cat5e—1080i—75ft Solid Conductor Cat5e—1080p—75ft |

Electrical Specifications:

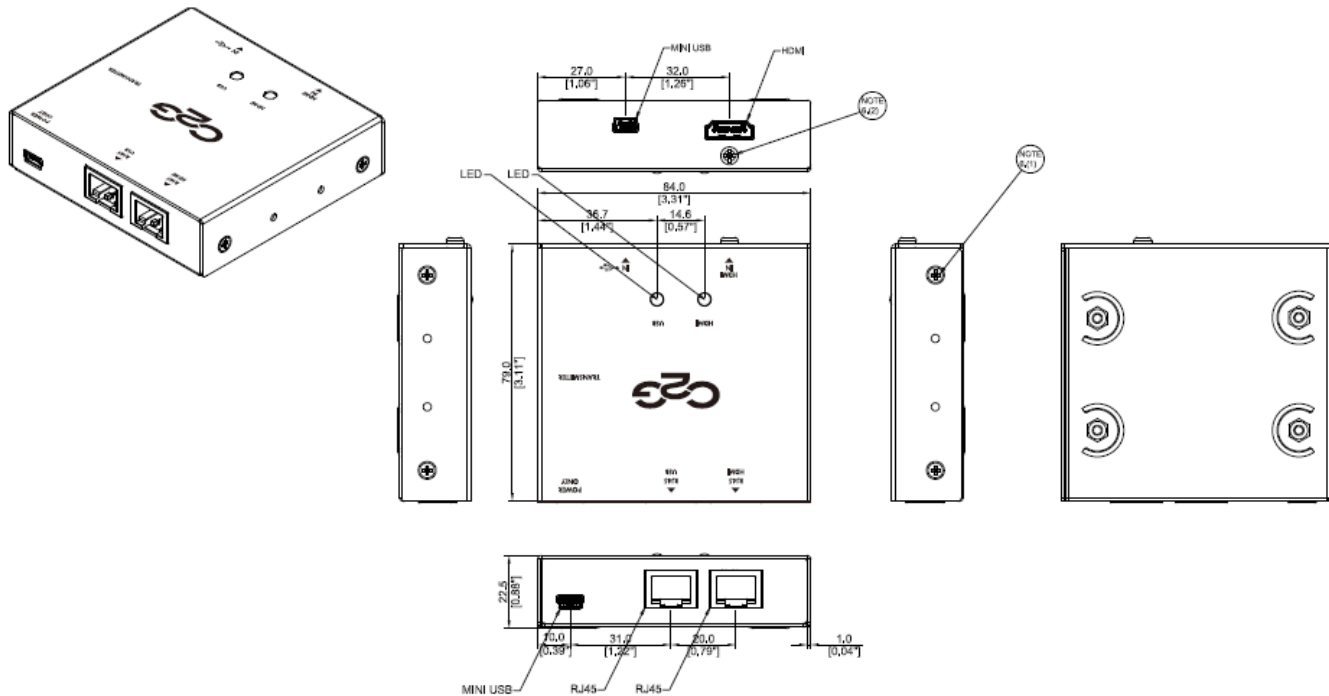
| | |
|---------------------------|----------------------------|
| Electrical Input: | 100~240 VAC, 50~60Hz, 0.2A |
| Electrical Output: | 5 VDC, 1.0A |
| Power Adapter Dimensions: | 65.8 x 40 x 37.6mm |
| Power Adapter Cable: | 500 ± 15mm |

Physical Specifications:

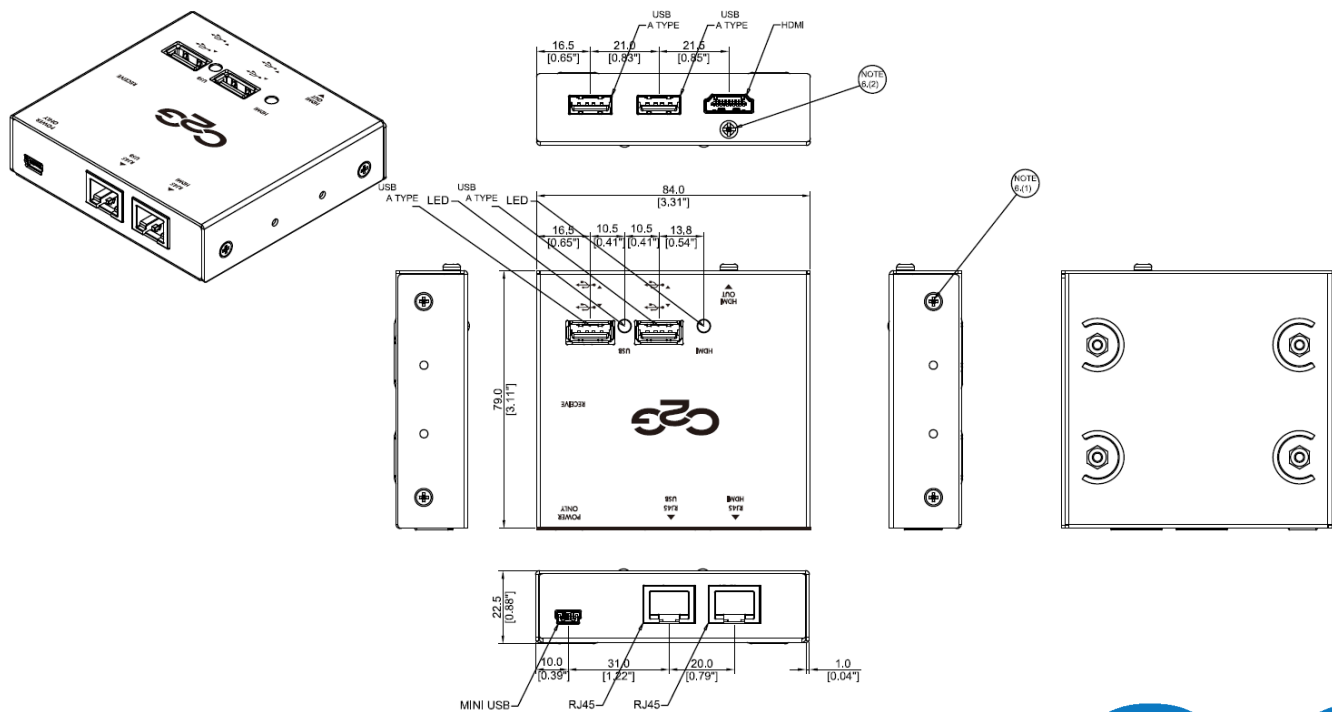
| | |
|---------------------------------|-----------------------------------|
| Transmitter Dimensions (HxWxD): | 22.5 x 84 x 79mm |
| Receiver Dimensions (HxWxD): | 22.5 x 84 x 79mm |
| Operating Temperature: | 0~40°C; 0~80%RH(Non-Condensing) |
| Storage Temperature: | -10~60°C; 0~80%RH(Non-Condensing) |
| Certifications: | CE, ROHS2, FCC |

Specifications: Short Range HDMI + USB over Cat5 Extender

Transmitter

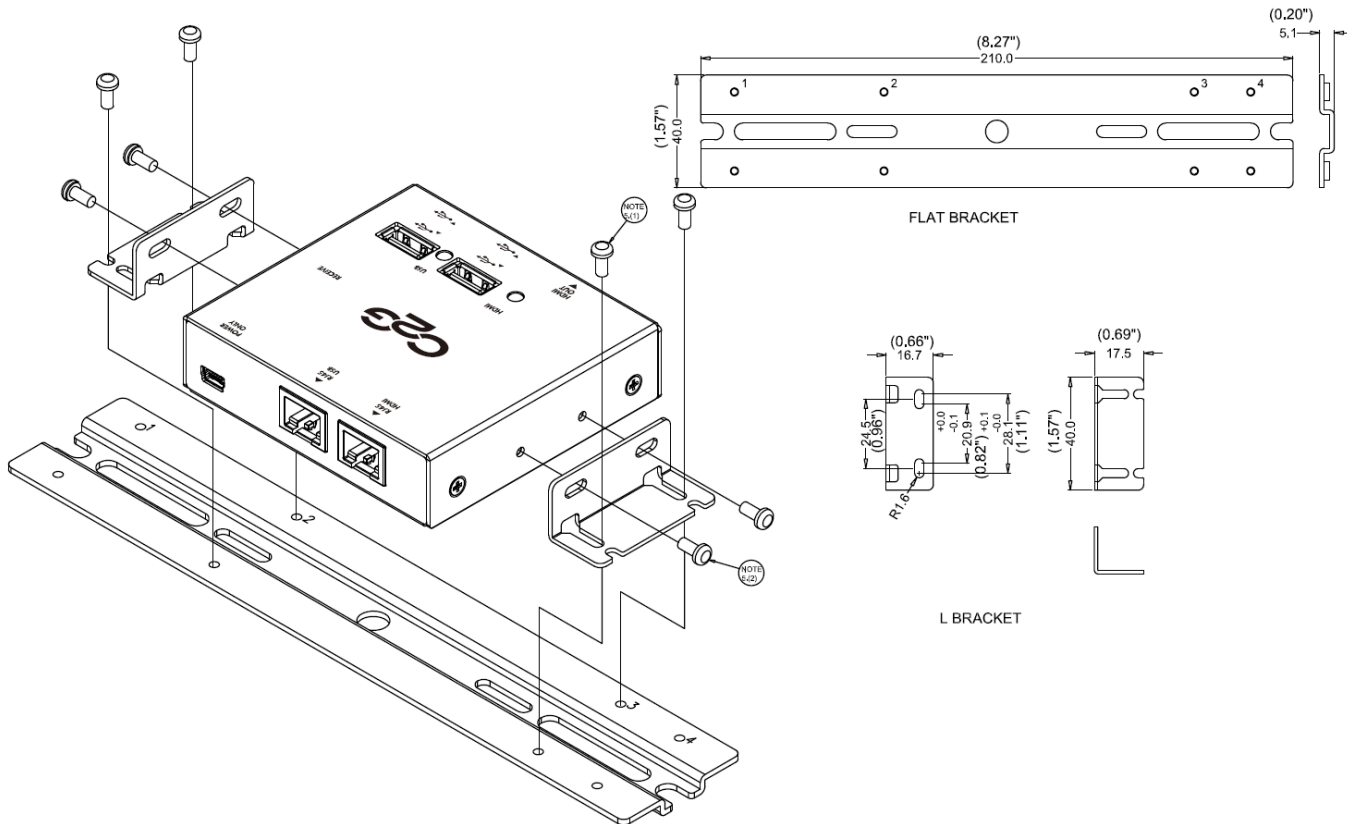


Receiver



Specifications: Short Range HDMI + USB over Cat5 Extender

Mounting Kit



| Part Number | Description | Weight (lbs) |
|-------------|---|--------------|
| 29367 | Short Range HDMI + USB over Cat5 Extender | 2.40 |



CABLES TO GO

Cables To Go
 3555 Kettering Blvd.
 Moraine, OH 45439
 Phone: 800.287.2843
 www.c2g.com

Follow Us

