

SPECIFICATION SHEET



HDBaseT HDMI + USB Over Cat5 Extender

- Enables extension up to 328 feet (100 meters)
- Fully compliant with HDBaseT 2.0
- Extends HDMI audio/video at 4K resolution
- Extends USB 2.0, IR signal, and serial control communication and features
- Supports EDID pass-through and HDCP 2.2
- 3 year warranty

Specifications: HDBaseT HDMI + USB Over Cat5 Extender

Extension Distance:

3840x2160 @60 Hz	Up to 100m Using Solid Conductor Cat6
3840 x 2160 @30Hz	Up to 90m Using Solid Conductor Cat5e
1920x1080 @60Hz	Up to 100m Using Solid Conductor Cat5e

Video Interface:

HDMI Compliance:	1.4 and 2.0
EDID:	Pixel clock higher than 340MHZ Glueless interface to TMDS, DDC, CEC, and HPD HDMI signals
Uncompressed Video:	4K, 30Hz, 24bpp with 4:4:4 color sampling 4K, 60Hz, 24bpp with 4:2:0 color sampling

Audio Interface:

Supported Audio Formats:	All major digital audio formats including - Dolby Digital, Dolby TrueHD, DTS, DTS HD-Master Audio, Dolby Pro Logic 7.1 & 9.1, Standard SPDIF, I ² S
--------------------------	--

Control Interface:

USB:	USB 2.0 and 1.1
Extended Control:	IR, UART,MSIO-6 fast serial channels

Chip Set:

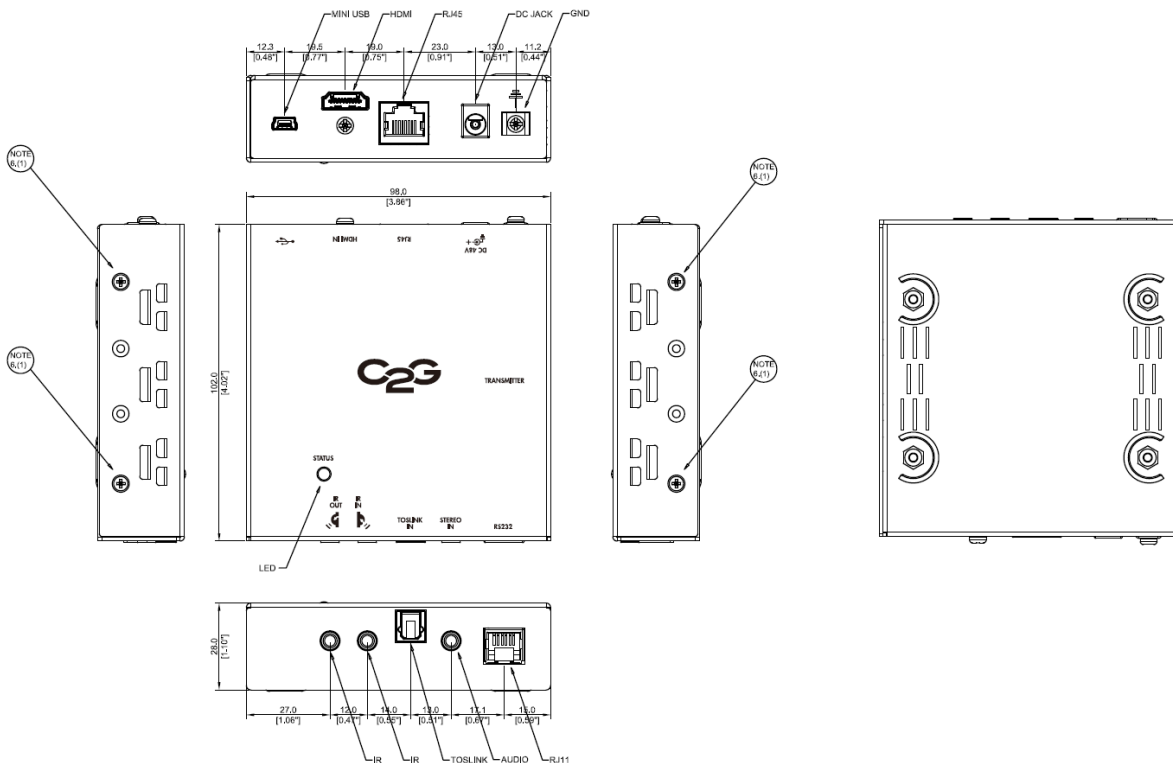
[*] Transmitter Chip Set: Valens Colligio VS2310TX

[*] Receiver Chip Set: Valens Colligio VS2310RX

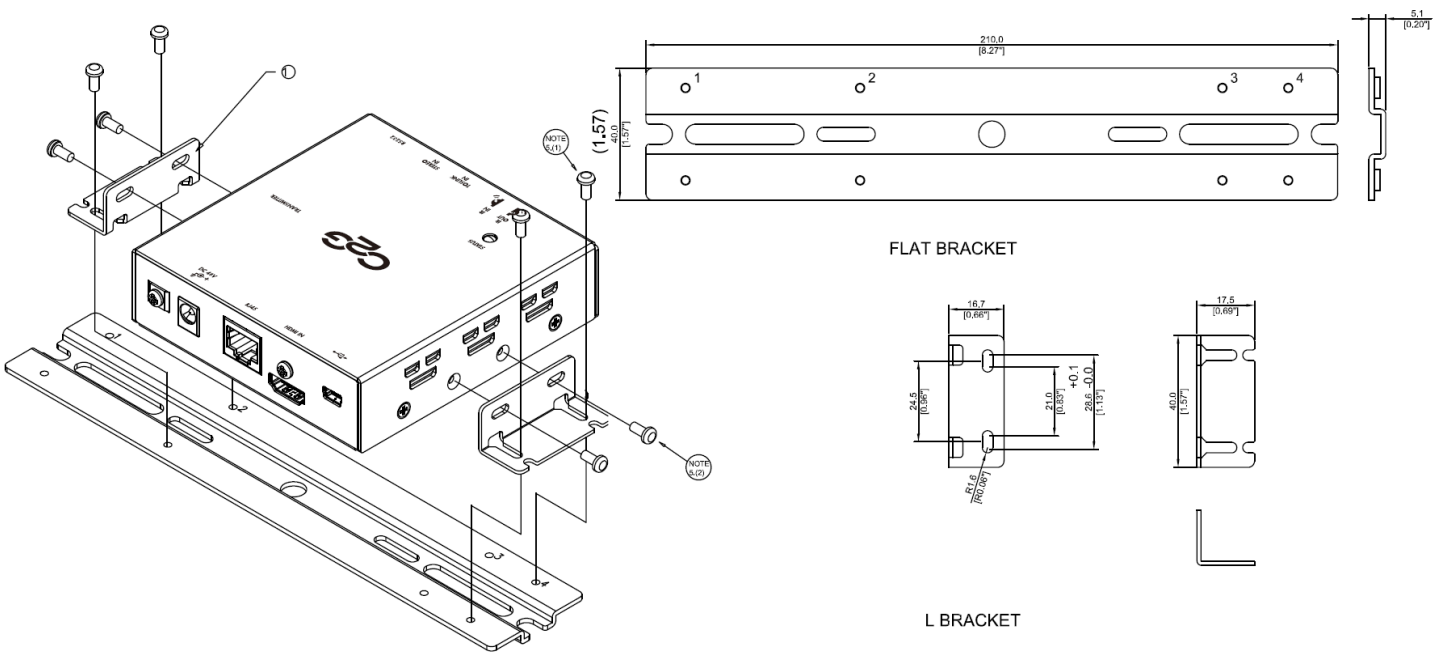
[*] 5-Play Feature Support: All 5-Play features including audio, video, control, Ethernet, and power over a single cable up to 328ft (100m)

Specifications: HDBaseT HDMI + USB Over Cat5 Extender

Transmitter:

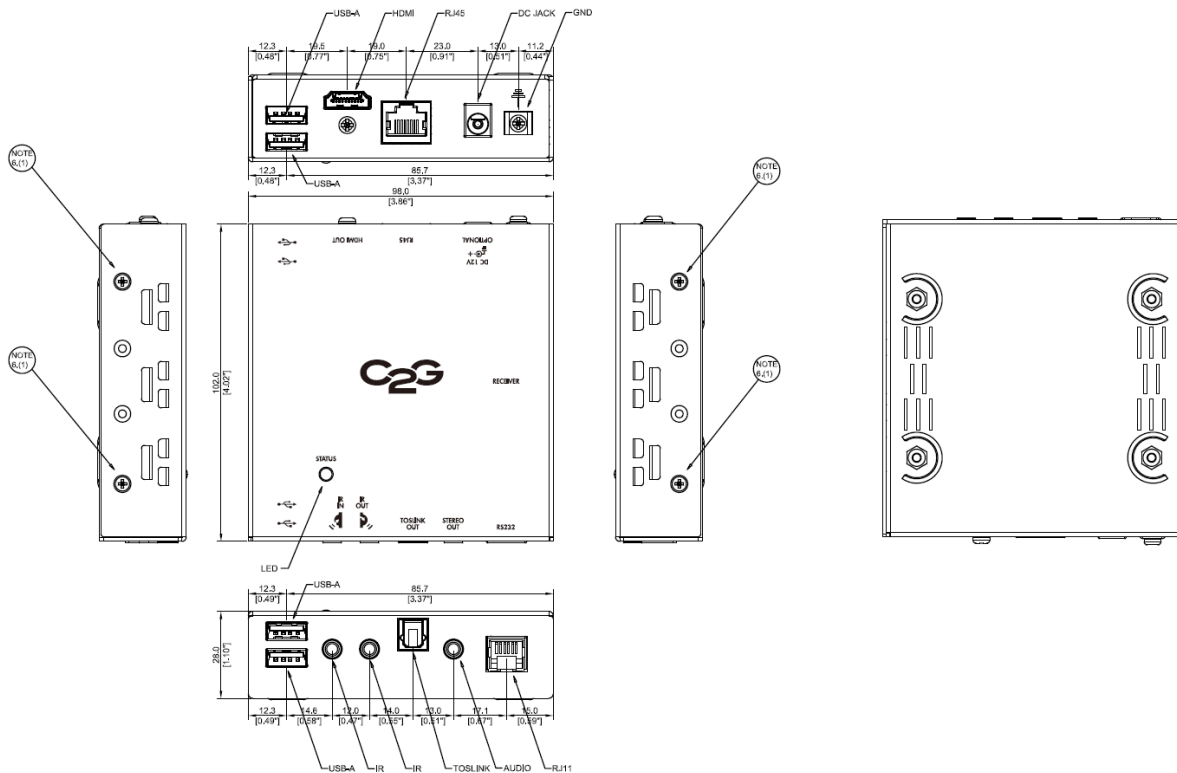


Transmitter Mounting Bracket:

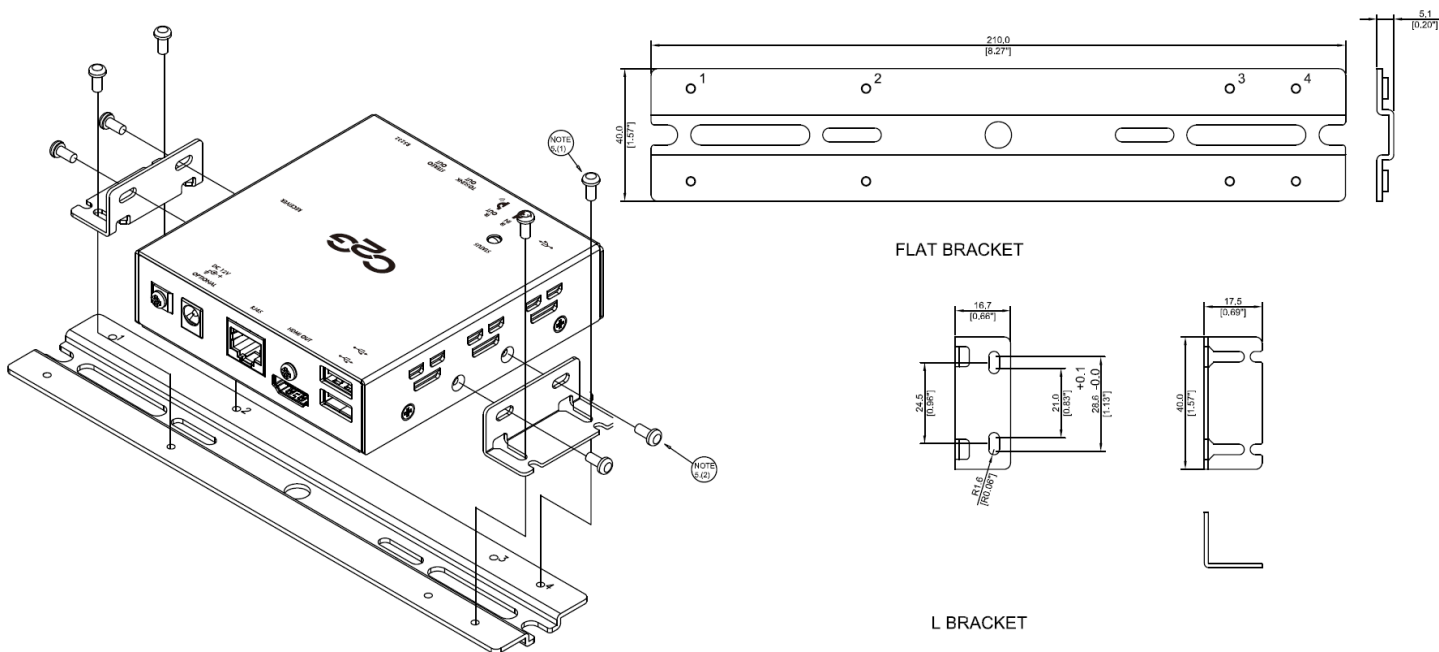


Specifications: HDBaseT HDMI + USB Over Cat5 Extender

Receiver:



Receiver Mounting Bracket:



Specifications: HDBaseT HDMI + USB Over Cat5 Extender

Electrical Specifications:

Data Through Put:	8Gbps HDBaseT traffic rate at 100 meters
Electrical Input:	100~240V AC, 50~60Hz; 1.2A
Electrical Output:	48V DC; 1.05A
Power Consumption:	Low power mode - 270mW (RX), 220mW (TX) / Max power consumption - 5.0W (RX), 3.5W (TX)
Power Adapter Dimensions (HxWxD):	121 x 52 x 33mm
Power Adapter Cable:	1530mm ± 15mm
Pin Outer Diameter:	5.5mm
Pin Inner Diameter:	1.7mm
Center Pin Polarity:	Positive

Physical Specifications:

Transmitter Dimensions (HxWxD):	28x 98 x 102mm
Receiver Dimensions (HxWxD):	28 x 98 x 102mm
Operating Temperature:	0°C to 40°C; 0 to 80% RH (Non-Condensing)
Storage Temperature:	-10°C to 60°C; 0 to 80% RH (Non-Condensing)
Certifications:	CE, RoHS2, FCC, VCCI

Part Number	Description	Weight (lbs)
29510	4k HDMI and USB Over Cat5e Extender—HDBaseT Certified	3.60



CABLES TO GO

Cables To Go
 3555 Kettering Blvd.
 Moraine, OH 45439
 Phone: 800.287.2843
 www.c2g.com

Follow Us

