

SPECIFICATION SHEET



USB-C to Gigabit Ethernet Adapter

- Provides a wired network connection for internet access
- Designed for use with USB-C port
- Bus-powered
- USB 3.0 to 10/100/1000Mbps Ethernet
- Supports all USB 3.0 power saving models
- Support for Wake-on-LAN function
- Supports IEEE 802.3az (Energy Efficient Ethernet)
- Supports IPv4/IPv6 pack Checksum Offload Engine (COE)
- 3 Year Warranty

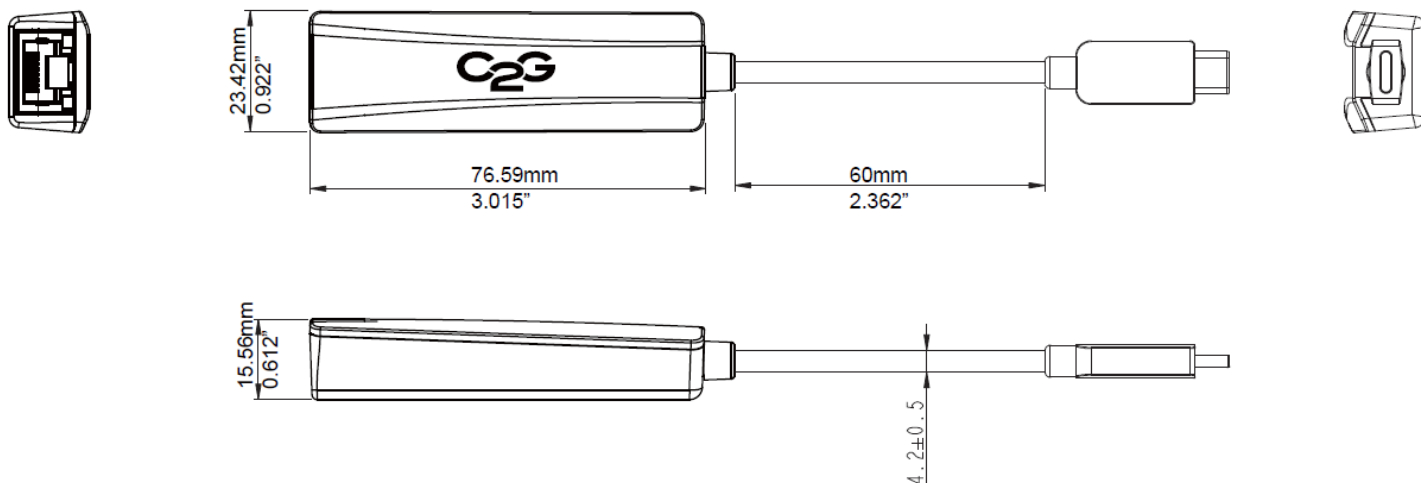
USB-C to Gigabit Ethernet Adapter

Electrical Specifications:

USB Specification:	USB 3.0
Power Mode:	USB Bus Power 5V
Supported OS:	Windows 7, 8, 8.1, Mac OS
Operating Temperature:	10°C ~ 40°C
Storage Temperature:	-20°C ~ 70°C

Physical Specifications:

Approvals:	CE, FCC, RoHS
Housing:	Plastic
Dimensions:	76 x 23.3 x 15.8mm
Connections:	USB C Male / RJ45 Female
Weight:	27.8g



Part Number	Description	Weight (lbs)
29326	USB-C to Gigabit Ethernet Adapter	.06



CABLES TO GO

Cables To Go
 3555 Kettering Blvd.
 Moraine, OH 45439
 Phone: 800.287.2843
 www.c2g.com

Follow Us

