

SPECIFICATION SHEET

**USB 2.0 USB-C to USB-Micro B Cable M/M - Black**

- Provides compatibility for USB-C laptop, tablet, or desktop to connect to a smartphone, tablet, printer, or digital camera
- Molded USB 2.0 label for easy identification
- Double shielding provides protection from EMI/RFI
- Lifetime warranty

Specifications: USB 2.0 USB-C to USB-Micro B Cable M/M - Black

Electrical Specifications:

Voltage Rating:	30V
Dielectric Strength:	AC-500V/1 Minute No Breakdown (EIA-364-20)
Insulation Resistance:	DC-500V 10M Ω /1 Minute No Breakdown (EIA-364-21)
Conductor Resistance:	24AWG—93 Ω /KM Max

Physical Specifications:

Operating Temperature:	0°C - 50°C
Operating Humidity:	20% - 85% RH
Storage Temperature:	-25°C - 70°C
Storage Humidity:	0% - 90% RH
Cable OD:	3.8mm \pm 0.2
Shield:	Shield 1: AL Wrap coverage 100% Shield 2: Braid 16/4/0.10 TC
Hood Type:	Molded
Warranty:	Lifetime

Conductor 1:

Material:	Stranded Tinned Copper
Size:	30AWG (7/0.10)
Insulation:	HD-PE
Color:	White/Green (Twisted Pair)

Conductor 2:

Material:	Stranded Tinned Copper
Size:	24AWG (7/0.20)
Insulation:	SR-PVC
Color:	Red/Black

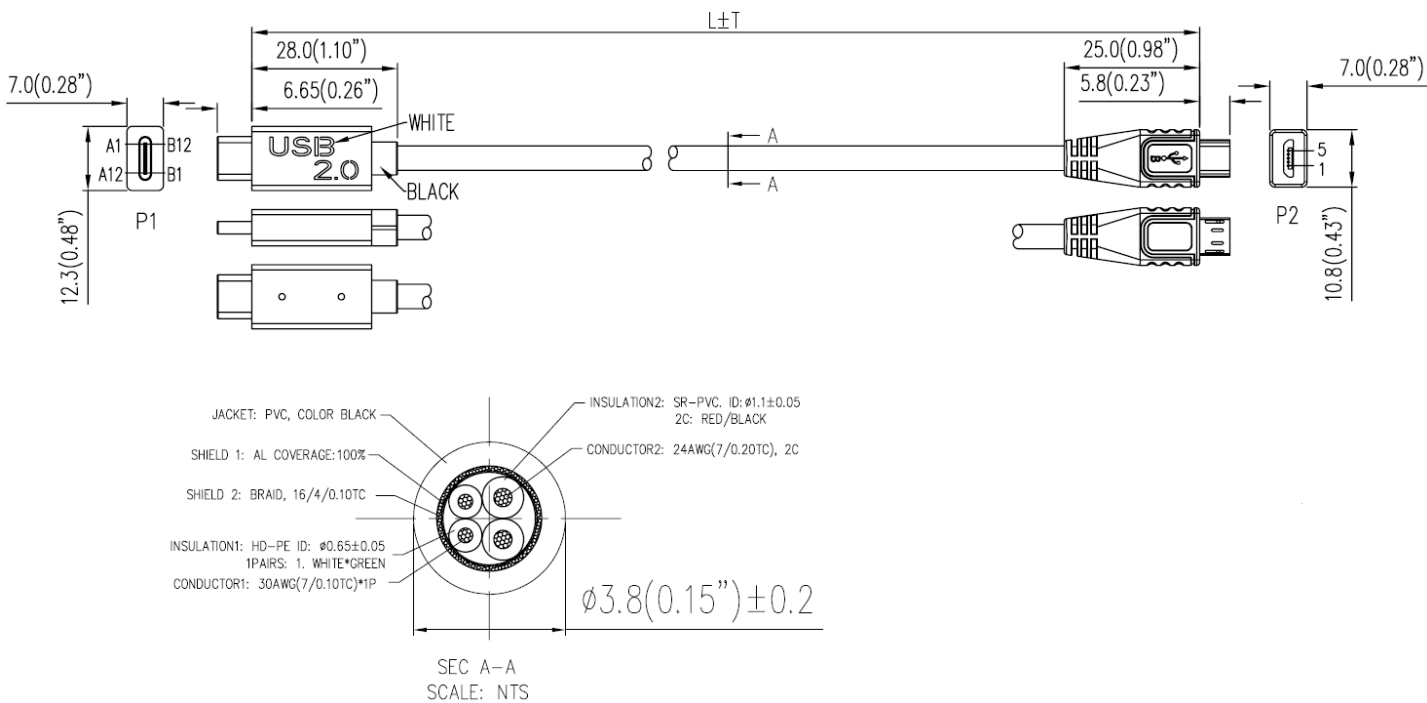
USB 2.0 C Connector:

Gender:	Male
Insulation:	Black
Contact Material:	Gold Flashing
Shell Material:	Nickle Plated

USB 2.0 Micro B Connector:

Gender:	Male
Insulation:	Black
Contact Material:	Gold Flashing
Shell Material:	Nickle Plated

Specifications: USB 2.0 USB-C to USB-Micro B Cable M/M - Black



Part Number	Description	Weight (lbs)
28850	3ft USB 2.0 USB-C to USB-Micro B Cable M/M - Black	
28851	6ft USB 2.0 USB-C to USB-Micro B Cable M/M - Black	



CABLES TO GO

Cables To Go
 3555 Kettering Blvd.
 Moraine, OH 45439
 Phone: 800.287.2843
 www.c2g.com

Follow Us

