

SPECIFICATION SHEET



AC to USB Mobile Device Charger, 5V 2A Output

- Perfect for charging USB devices on the go
- Supports 2Amps
- Small, lightweight, travel-friendly design

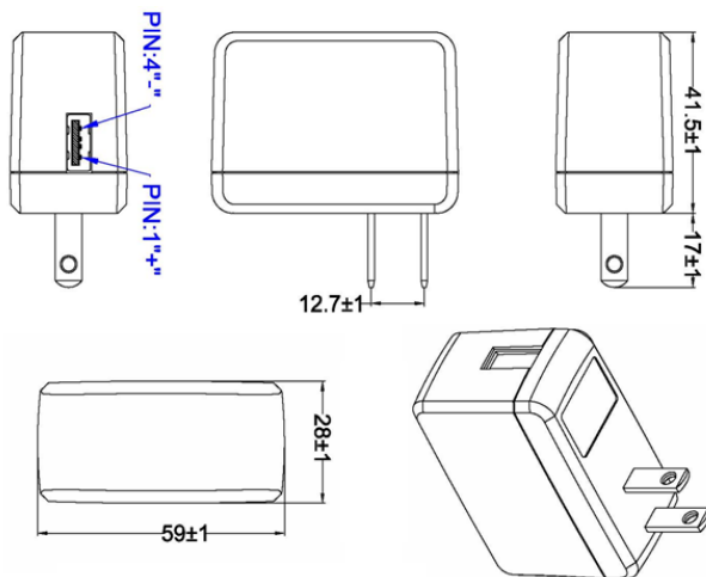
Specifications: AC to USB Mobile Device Charger, 5V 2A Output

Electrical Characteristics:

Electrical Input: 100~240VAC, 50~60Hz, 0.28A
 Output: 5.0V, 2100mA

Physical Characteristics:

Operating Temperature: 0°C—40°C; 5-90%RH (non-condensing)
 Storage Temperature: -20°C—85°C, 5-90%RH (non-condensing)



©2015 Legrand All Rights Reserved SpecSheet MSPEC_22335_R0

Part Number	Description	Weight (lbs)
22335	AC to USB Mobile Device Charger, 5V 2A Output	



CABLES TO GO

Cables To Go
 3555 Kettering Blvd.
 Moraine, OH 45439
 Phone: 800.287.2843
 www.c2g.com

Follow Us

