

Multiple Services in a Low Profile Overfloor Raceway

OFR Series Overfloor Raceway System provides four channels of capacity and access to a wide range of power, communications, and A/V connectivity options in the smallest, lowest, narrowest, ADA compliant profile available in overfloor raceway systems. This system installs over existing floor coverings and is both tamper-resistant and installer-friendly, making it an ideal solution for relocatable or permanent installations where access through floors and ceilings is not an option. There are also transition fittings to feed OFR Series Raceway from Wiremold wall-mounted raceway systems and Vista Architectural Columns. OFR Series Raceway accepts Wiremold Open System device plates that provide connectivity to a wide range of devices from leading communication and A/V providers.



OFR Series Raceway provides access to power, A/V, and communication services to open-space areas in an ADA compliant low profile design.

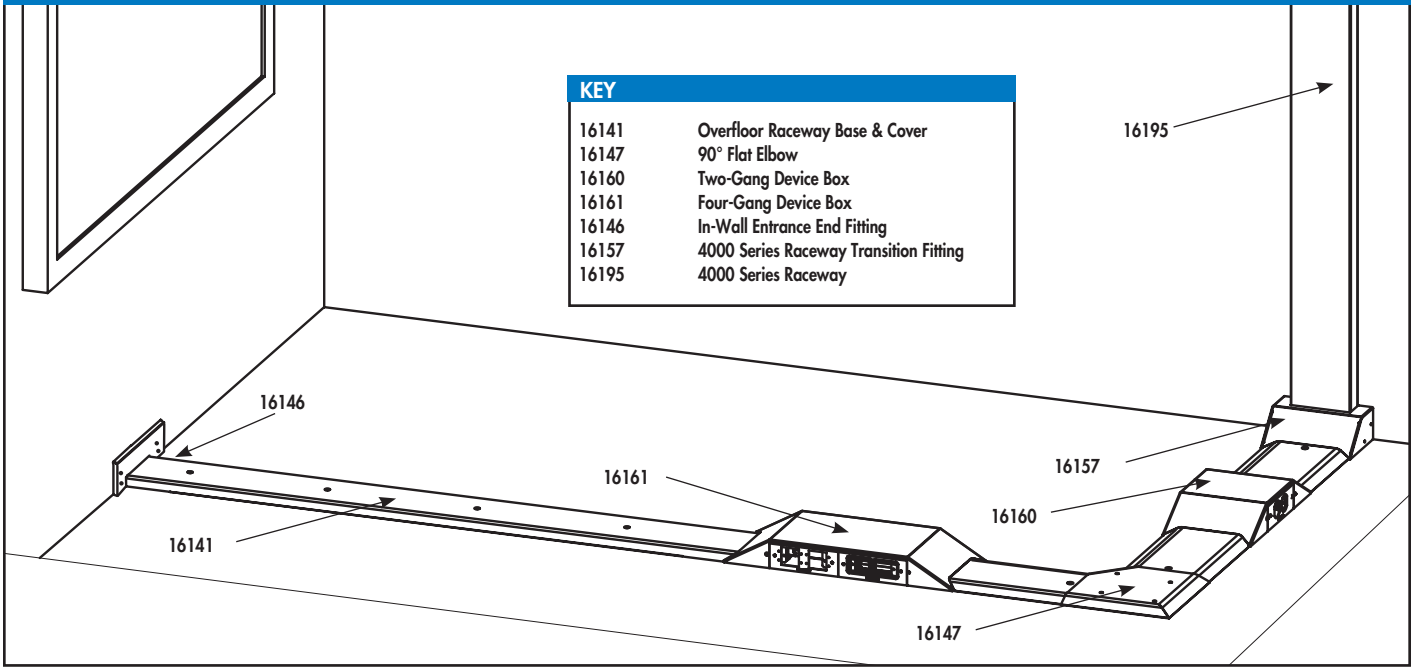
FEATURES & BENEFITS

- **Lowest profile overfloor raceway available.** Smaller, narrower, lower raceway profile reduces potential trip hazards while also being installer friendly to speed installations.
- **Installs in open space areas.** Provides power, communication, and A/V wiring to areas where in-floor or ceiling distribution are not accessible options.
- **Multiple channel base.** Four-channel raceway provides space for multiple combinations of power, communication and A/V to be provided through a single raceway installation.
- **Black powder coat finish.** Durable textured finish resists scuffing and scratches, is paintable and blends with most decors.
- **Multiple options for communication and A/V connectivity.** OFR Series Raceway accepts Wiremold Open System device plates that provide connectivity to a wide range of devices from leading communication and A/V providers.
- **Re-energize abandoned poke-thru holes.** Brings a wide variety of services to the work surface by re-using existing openings from previous poke-thru installations.
- **Attaches directly to floor covering.** Works with carpet, tile, wood, etc. so there is no need to remove or alter existing floor coverings. Ideal for both temporary and permanent installations.
- **Multiple transition options.** Transition fittings are available to feed OFR Series Raceway from Wiremold DS4000™, 4000®, and 2400 Series™ wall-mounted raceway systems.
- **Tamper-resistant system.** Raceway cover is difficult to remove without the proper tools, discouraging unwanted access to raceway-provided services.
- **Meets ADA Accessibility Guidelines.** Low profile, unobtrusive design meets the ADA Accessibility Guidelines that pertain to ADA Standard 4.5 which addresses changes in floor and ground surface levels.
- **cETLus Listed.**



OFR Series Overfloor Raceway transition fittings for 2400 Series Raceway and through a wall.

OFR SERIES OVERFLOOR RACEWAY SYSTEM LAYOUT



OFR SERIES OVERFLOOR RACEWAY WIRE FILL CAPACITIES FOR POWER

WIRE SIZE THHN/THWN	O.D.		WIRE CROSS-SECTIONAL AREA	# OF WIRES PER OUTER CHANNEL (40% FILL)	# OF WIRES PER OUTER CHANNEL w/OFR1 (40% FILL)	# OF WIRES PER OUTER CHANNEL w/OFR9 (40% FILL)	# OF WIRES PER INNER CHANNEL (40% FILL)
	Inches	(mm)					
14 AWG	0.111	2.8	0.010	18	13	10	19
12 AWG	0.130	3.3	0.013	13	10	7	14
10 AWG	0.164	4.2	0.021	8	3	2	9
8 AWG	0.216	5.5	0.037	4	4	3	5

OFR SERIES OVERFLOOR RACEWAY WIRE FILL CAPACITIES FOR COMMUNICATIONS

TYPE	CABLE/WIRE SIZE	O.D.		WIRE CROSS- SECTIONAL AREA	# OF CABLES PER OUTER CHANNEL (40% FILL)	# OF CABLES PER OUTER CHANNEL w/OFR1 (40% FILL)	# OF CABLES PER OUTER CHANNEL w/OFR9 (40% FILL)	# OF WIRES PER INNER CHANNEL (40% FILL)
		Inches	(mm)					
UNSHIELDED TWISTED PAIR	4-Pair, 24 AWG, Cat3	0.190	4.8	0.028	6	4	3	6
	4-Pair, 24 AWG, Cat5e	0.210	5.3	0.035	5	3	2	5
	4-Pair, 24 AWG, Cat6	0.250	6.3	0.049	3	2	2	3
	4-Pair, 24 AWG, Cat6a	0.354	9.0	0.098	1	1	1	2
COAXIAL	RG6/U	0.270	6.9	0.057	3	2	1	3
FIBER	ZipCord	0.118 x 0.236	3 x 6	0.025	7	5	3	7
	Round 4-Strand Fiber	0.187	4.7	0.027	6	4	3	6
	Round 6-Strand Fiber	0.256	6.5	0.051	3	2	1	3



Four-channel base of OFR Series Overfloor Raceway provides channels for multiple combinations of services.

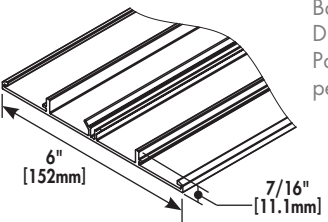
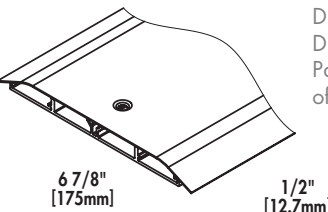
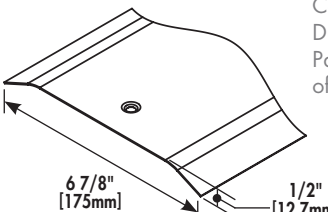
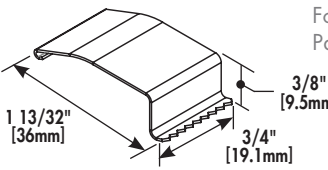
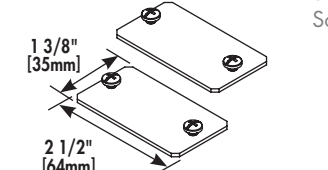
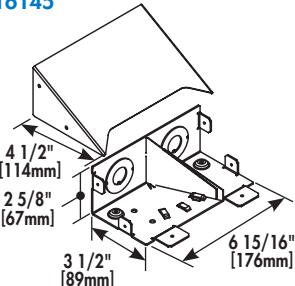
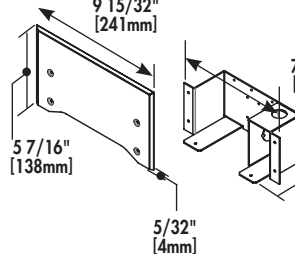
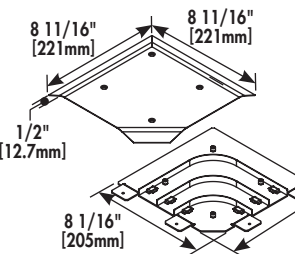
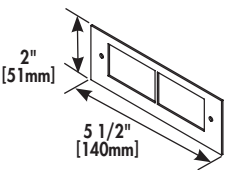
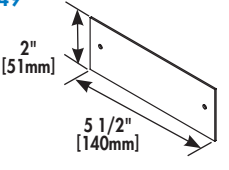


OFR Series Raceway features the lowest profile available in overfloor raceway systems.

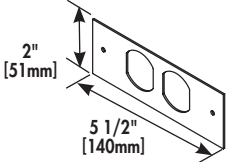
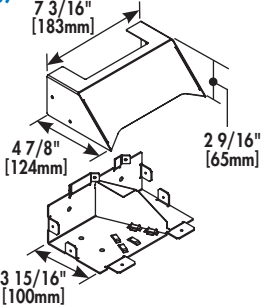
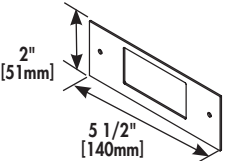
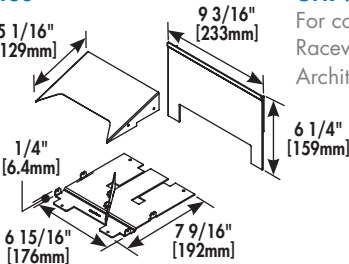
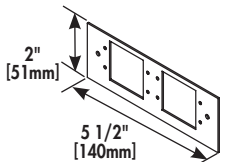
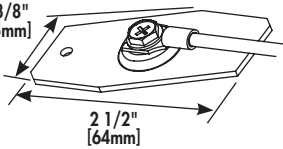
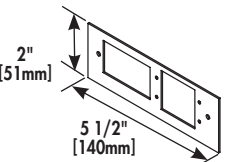
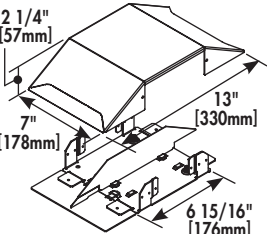
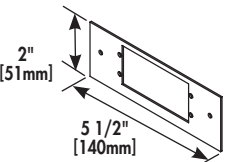
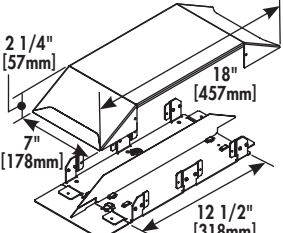
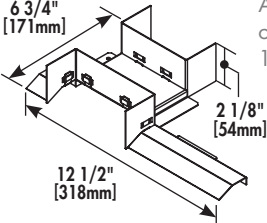
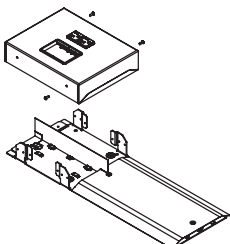
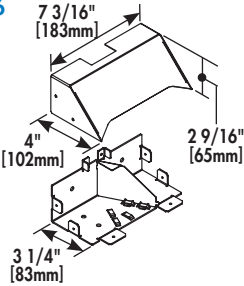


Tamper-resistant feature prevents unwanted access to raceway-provided services.

OFR SERIES OVERFLOOR RACEWAY SYSTEM

Part No.	Description/Specifications
16140	<p>Overfloor Raceway Base Base: 0.080" [2.0mm] aluminum. Divided into four channels. Packed four (4) 8' [2.4m] lengths per carton.</p> <p style="text-align: right;"><i>Note: Not recommended in high traffic areas.</i></p> 
16141	<p>Overfloor Raceway Base & Cover Cover: 0.040" [1.0mm] steel. Base: 0.080" [2.0mm] aluminum. Durable black powder coat finish. Divided into four channels. Packed one (1) 8' [2.4m] length of base and cover per carton.</p> <p style="text-align: right;"><i>Note: Not recommended in high traffic areas</i></p> 
16142	<p>Overfloor Raceway Cover Cover: 0.040" [1.0mm] steel. Durable black powder coat finish. Packed four (4) 8' [2.4m] lengths of cover per carton.</p> <p style="text-align: right;"><i>Note: Not recommended in high traffic areas</i></p> 
16143	<p>Overfloor Raceway Wire Clips For holding conductors in place. Packed twelve (12) per pack.</p> 
16144	<p>OFR Coupling Joins lengths of OFRB-8 OFR Series Raceway Base together. Sold in pairs.</p> 
16145	<p>Overfloor Raceway Entrance End Fitting Feeds OFR Series Raceway. Has two (2) concentric 1/2" and 1 1/4" trade size KO's on end. Includes removable divider that can be positioned to feed any raceway channel. Can be used to feed raceway from wall or into furniture.</p> 
16146	<p>Overfloor Raceway In-Wall Entrance End Fitting Feeds OFR Series Overfloor Raceway from behind wall. Configurable to provide one or two channels of power. Has 1/2" trade size KO for single channel and 3/4" trade KO for two channel.</p> 
16147	<p>OFR Flat Elbow For making right angle turns on the same surface.</p> 
16148	<p>OFR Communications Device Plate Device plate that will accept up to four (4) ports of communications devices. Includes adapters for Ortronics® TraJack, Series II, Pass & Seymour® Activate inserts and Wiremold Open System communication modules.</p> 
16149	<p>OFR Blank Device Plate For covering unused compartments in 16160 and 16161 Device Boxes.</p> 

OFR SERIES OVERFLOOR RACEWAY SYSTEM

Part No.	Description/Specifications	Part No.	Description/Specifications
16150	 <p>OFR Duplex Device Plate For covering duplex style devices in 16160 and 16161 Device Boxes. Accepts 106 Frame.</p>	16157	 <p>OFR 4000 Raceway Transition For connecting vertical runs of 4000 Series Raceway with OFR Series Raceway. Includes removable divider that can be positioned to feed any raceway channel.</p>
16151	 <p>OFR Decorator Device Plate For covering rectangular decorator style devices in 16160 and 16161 Device Boxes.</p>	16158	 <p>OFR Vista Point5 Transition For connecting OFR Series Raceway to Vista Point5 Architectural Columns.</p>
16152	 <p>OFR Extron® MAAP Device Plate Device plate that will accept up to four (4) Extron® Electronics MAAP style plates in 16160 and 16161 Device Boxes.</p>	16159	 <p>OFR Grounding Clip Connects equipment grounding conductor to provide ground to OFR Series Raceway. No. 10 ground screw provided.</p>
16153	 <p>FR Extron® MAAP-2A Combo Device Plate Combination device plate that will accept up to two (2) Extron® Electronics MAAP style plates and up to two (2) ports of communications devices. Includes adapters for Ortronics® TraJack, Series II, Pass & Seymour® Activate inserts and Wiremold Open System communication modules.</p>	16160	 <p>Overfloor Raceway Two-Gang Box Divided two-gang device box. Allows multiple services (power, communication, A/V) at a single point-of-use. Side facing device mounting provides low profile, with space for large cable bend radius. Accepts OFR Series device plates. Removable divider can be aligned with any of the raceway channels.</p>
16154	 <p>OFR Extron® AAP Device Plate Device plate that will accept two (2) Extron® Electronics AAP single space modules.</p>	16161	 <p>Overfloor Raceway Four-Gang Box Divided four-gang device box. Allows multiple services (power, communication, A/V) at a single point-of-use. Side facing device mounting provides low profile, with space for large cable bend radius. Accepts OFR Series device plates. Removable divider can be aligned with any of the raceway channels.</p>
16155	 <p>OFR Crossover Kit Allows access to power and communication on both sides of 16161 Four-Gang Device Box.</p>	16162	 <p>OFR Transition Box Allows cords and cables to make a smooth concealed transition to the underside of the table when used with the InteGreat™ Transition Channel (MRTC).</p>
16156	 <p>OFR 2400 Raceway Transition For connecting vertical runs of 2400 & 2400D Series Raceway with OFR Series Raceway. Includes removable divider that can be positioned to feed any raceway channel.</p>		

C2G & WIREMOLD PART NUMBER CONVERSION CHART

C2G Part Number	Wiremold Part Number	Item Description: OFR Series Overfloor Raceway
16140	OFRB-8	Black Raceway Base - 8ft (4 Pack)
16141	OFRBC-8	Black Raceway Base and Cover - 8ft (4 Pack)
16142	OFRC-8	Black Raceway Cover - 8ft (4 Pack)
16143	OFRWC	Black Raceway Wire Clips (12 Pack)
16144	OFR1	Raceway Coupler (2 Pack)
16145	OFR10A	Black Raceway Entrance End Fitting
16146	OFR10IW	Black Raceway In-Wall Entrance End Fitting
16147	OFR11	Black Raceway 90 Degree Flat Elbow
16148	OFR47-2A	Black Communications Device Plate
16149	OFR47-B	Black Blank Device Plate
16150	OFR47-D	Black Duplex Device Plate
16151	OFR47-R	Black Decorator Device Plate
16152	OFR47-U	Black Extron MAAP Device Plate
16153	OFR47-U2A	Black FR Extron MAAP-2A Combo Device Plate
16154	OFR47-V	Black Extron AAP Device Plate
16155	OFR48-4GX	Crossover Kit
16156	OFR89-2400	Black 2400 Series Raceway Transition
16157	OFR89-4000	Black 4000 Series Raceway Transition
16158	OFR89-VIS	Vista Point5 Transition
16159	OFR9	Grounding Clip
16160	OFR48-2	Black Raceway Two-Gang Box
16161	OFR48-4	Black Raceway Four-Gang Box
16162	OFR48-2MRTC	Transition Box



CABLES TO GO

Cables To Go
 3555 Kettering Blvd.
 Moraine, OH 45439
 Phone: 800.287.2843
 www.c2g.com

Follow Us

