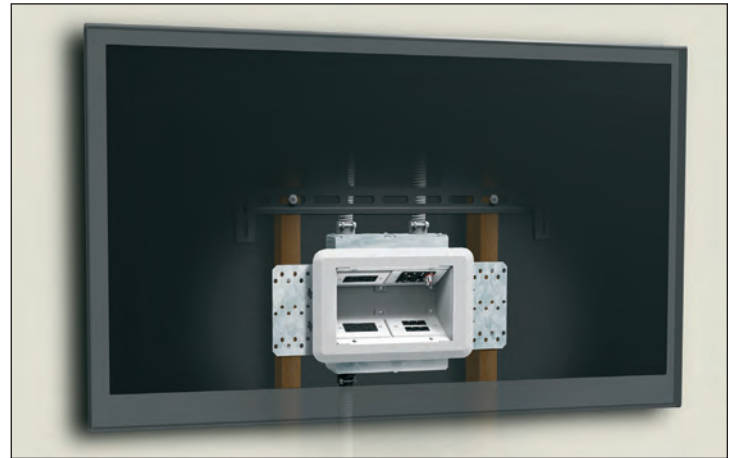


Evolution Series Wall Boxes

Evolution Series Wall Boxes are the latest advancement in the most innovative line of pathways in the industry. These wall boxes are designed for new work and old work applications while offering a sleek, clean look that architects will love, and the functionality engineers and contractors require. Offered in a two-gang version with a storage module for active A/V equipment and a four-gang version when more power, communications, and A/V capacities are required—Evolution Series Wall Boxes are ideal for areas with large or small capacity needs and are perfect for areas where a flat screen is required, such as conference rooms, airports, entertainment venues, college campuses, and hospitals.



16290 installed behind a flat screen display.

FEATURES & BENEFITS

New work and old work applications

Evolution Series Wall Boxes have been design to be able to be installed in both new work and old work installations. Saving time and money on the jobsite.

Removable Modules

Removable modules facilitate quick and easy installations by allowing service feeds to be connected outside the box, increasing jobsite productivity and reducing overall project cost.



Storage Module

The four-gang Evolution Series Wall Box comes complete with a built-in storage module, large enough to hold the smaller receivers, and controllers that are typically found behind flat screen monitors.



Available Options

Evolution Series Wall Boxes are available in both a two-gang and a four-gang version, allowing for maximum flexibility to fit the capacity needs of the task at hand.



Finished Cover

Evolution Series Wall Boxes come complete with a decorative cover option that is field-paintable allowing the product to blend in and match the room decor.



Low Profile Cover

The decorative trim flange and cover are low profile (less than 1/4" from the wall surface) allowing the monitors to seat closer to wall.



Built-in Tunnel

The built-in tunnel allows services to be wrapped around, increasing flexibility and configurability, while reducing the number of service feeds that need to be brought to the box.



Feed Through Capability

Between the removable modules and the tunneling feature, the Evolution Series Wall Boxes allows for service feeds to be fed through the boxes, reducing the number of feeds required, saving time and money.



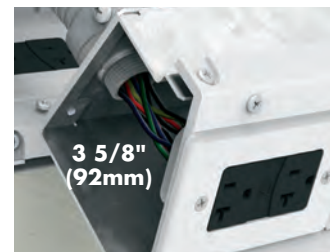
Accepts Standard Size Wall Plates

Each of the wall boxes are designed to accept standard size (2 3/4" x 4 1/2") (70mm x 114mm) device plates. No proprietary plates means quicker and easier installations.



Wiring Capacity

3 5/8" [92mm] of space behind the device plate allows for a maximum amount of space for wiring deeper A/V devices.



Finished Interior

Fully finished interior removes the unfinished industrial look while increasing visibility, making it easier to see where to plug in devices.



Plug-in Capacity

4 1/2" [114mm] of space between devices allows the end user to be able to easily plug into the active devices that are across from one another.



Multiple Size Knockouts

All of the Evolution Series Wall boxes can accept service feeds from 3/4" trade size up to 2" trade size. These knockout plates are removable and interchangeable, providing the most flexibility and configurability options possible.



Datacom Connectivity Options

Accepts industry standard and proprietary devices from a wide range of manufacturers to provide a seamless and aesthetically pleasing interface for voice, data and video applications at the point-of-use. A wide selection of data and adapter options are available for use with Ortronics® TracJack and Series II devices.

UL Listed to U.S. and Canadian safety standards.

Removable Dividers

Each module is supplied with one divider that can be removed and replaced when needed. Removable dividers allow for maximum configurability.

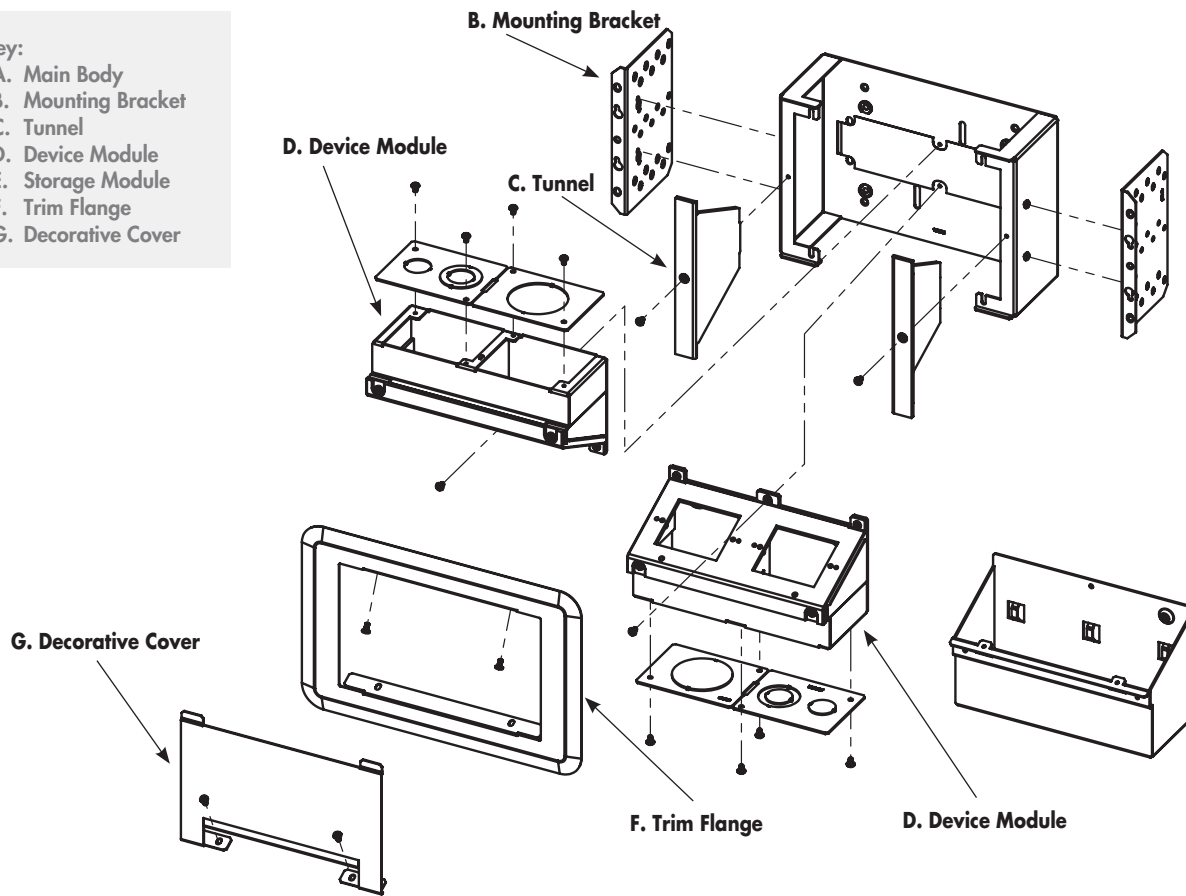
2"x 4" Wall Cavity

The Evolution Series Wall Boxes are designed to fit within a standard 2"x 4" [51 mm x 102mm] (metal or wood) wall cavity.

EVOLUTION SERIES FLOOR BOX INCLUDED COMPONENTS

Key:

- A. Main Body
- B. Mounting Bracket
- C. Tunnel
- D. Device Module
- E. Storage Module
- F. Trim Flange
- G. Decorative Cover



EVOLUTION SERIES WALL BOX MODEL SELECTION GUIDE

Evolution Wall Box Model	16289	16290
Install Type:	Yes	
New Work	Yes	
Old Work		
Box Capacity	Two-Gangs	Four-Gangs
Depth Behind Plates	3 5/8" (92mm)	
Removable Modules	Yes	
Device Plate size	Uses Standard Size Device Plates: Single-Gang (2 3/4" x 4 1/2") (70mm x 114mm)	
Cover Colors	White	
Compartment Volumes	43 cubic inches (705ml)	43 cubic inches (705ml)
KO Size Range (Trade Size)	3/4" to 2	
Tunnels	Yes	
Notes	Trim flange and decorative cover are paintable	

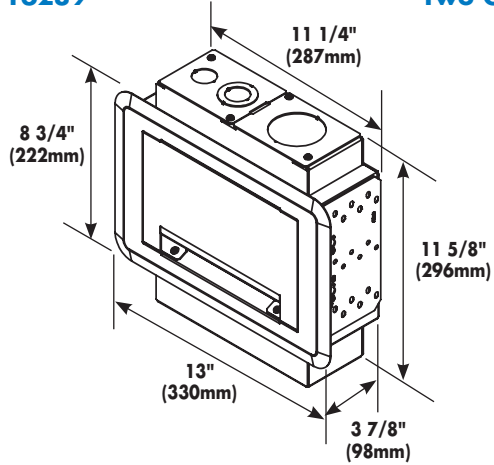
EVOLUTION SERIES TWO-GANG WALL BOX

Part No.

Description/Specifications

16289

Two-Gang Wall Box – Designed to fit and be concealed behind 42" (1.067m) or larger flat screen displays. Can be installed in both new work and old work applications. Has 2 NEMA size openings for power, communication, or A/V devices. Box is also equipped with a storage module that will accept active A/V equipment up to 6 7/8" x 9 1/8" (175mm x 232mm) (dimensions include wire and cables) in size.



Components Included:

- A** Box Body
- B** Mounting Brackets (2)
- C** Tunnel (2)
- D** Device Module
- E** Storage Module
- F** Trim Flange
- G** Decorative Cover

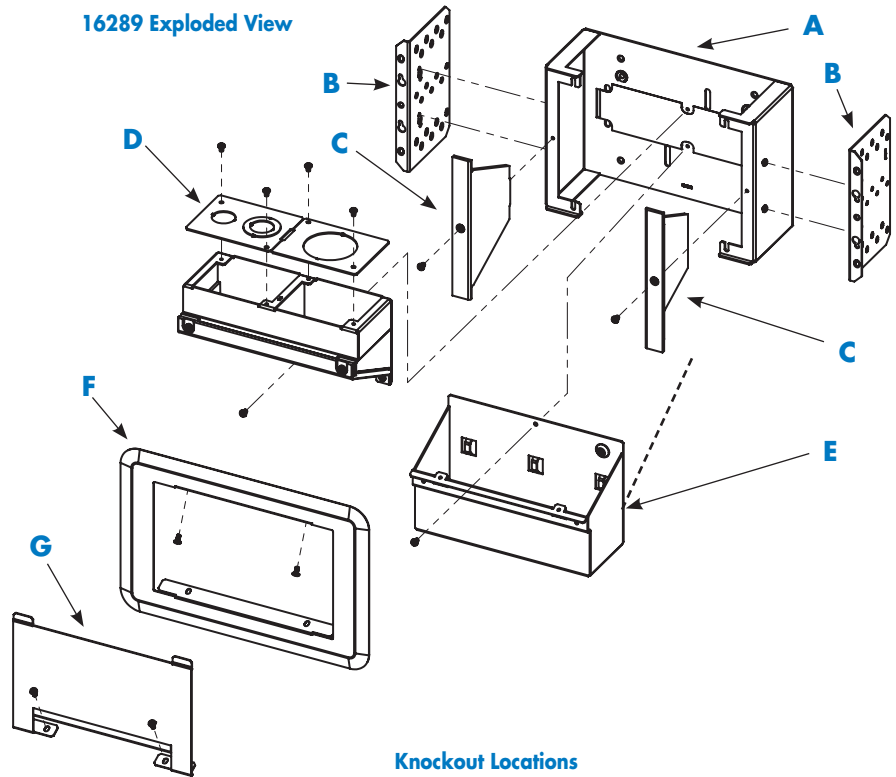
Each Module Consists of:

- (1) Device Bracket
- (1) Back Box
- (1) Removable Divider
- (1) EFS-DIV Divider
- 3/4"-1 1/4" Removable KO Plate
- 2" Removable KO Plate

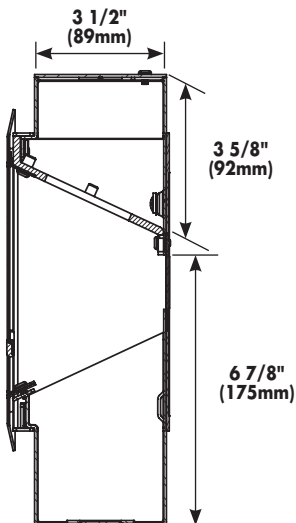
Items not included with the box and sold separately:

- Receptacles
- Communication Jacks
- A/V Devices
- Device Plates

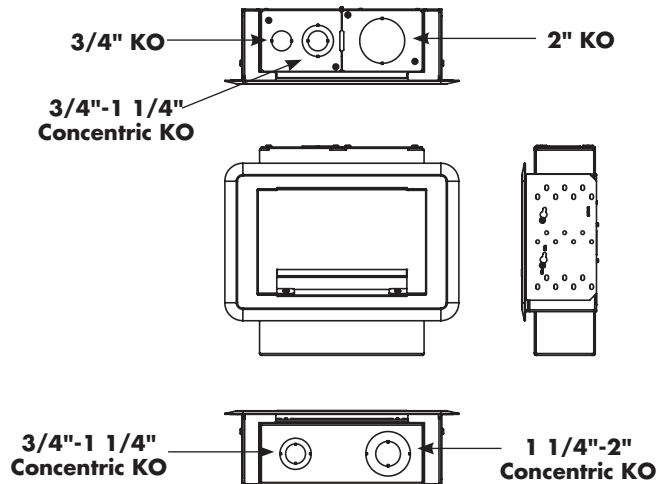
16289 Exploded View



Device Module



Knockout Locations



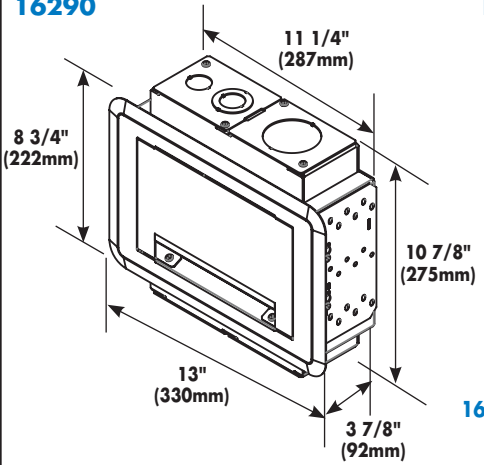
EVOLUTION SERIES FOUR-GANG WALL BOX

Part No.

Description/Specifications

16290

Four-Gang Wall Box – Designed to fit and be concealed behind 42" [1.067m] or larger flat screen displays. Can be installed in both new work and old work applications. Has 4 NEMA size openings for power, communication, or A/V devices.



Components Included:

- A** Box Body
- B** Mounting Brackets (2)
- C** Tunnel (2)
- D** Device Modules (2)
- E** Trim Flange
- F** Decorative Cover

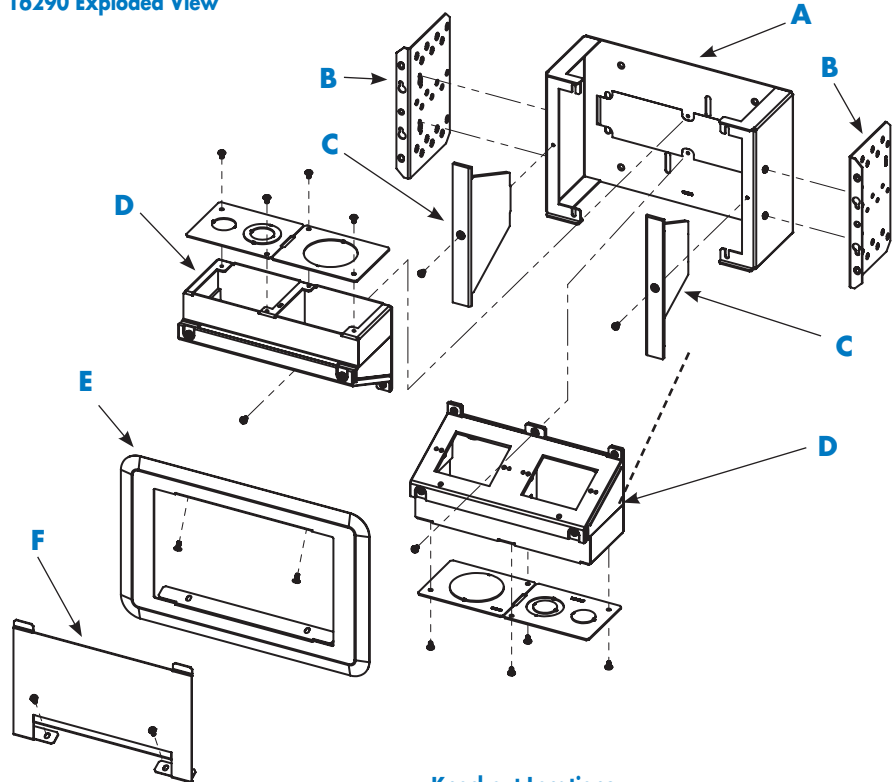
Each Module Consists of:

- (1) Device Bracket
- (1) Back Box
- (1) Removable Divider
- (1) EFS-DIV Divider
- 3/4"-1 1/4" Removable KO Plate
- 2" Removable KO Plate

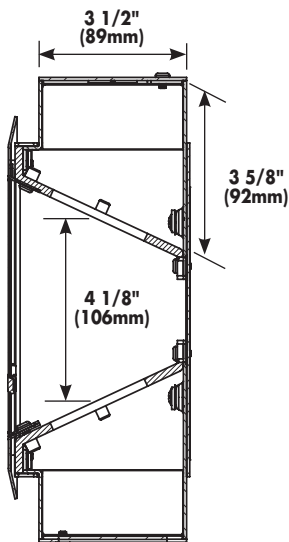
Items not included with the box and sold separately:

- Receptacles
- Communication Jacks
- A/V Devices
- Device Plates

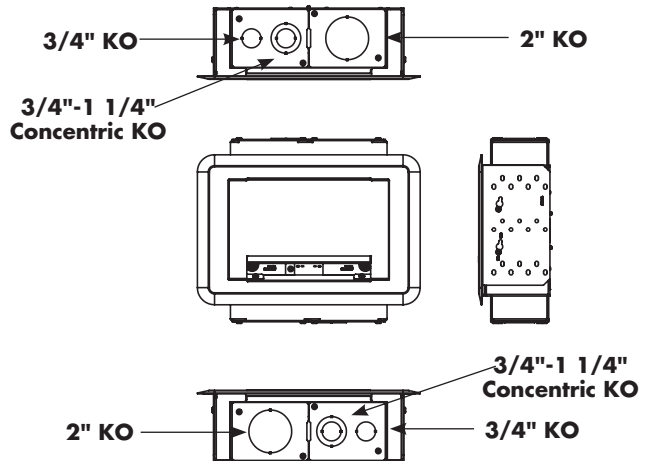
16290 Exploded View



Device Module



Knockout Locations



C2G & WIREMOLD PART NUMBER CONVERSION CHART

C2G Part Number	Wiremold Part Number	Item Description: Evolution Series Wall Box
16289	EFSB2	Two-Gang Wall Box
16290	EFSB4	Four-Gang Wall Box



CABLES TO GO

Cables To Go
3555 Kettering Blvd.
Moraine, OH 45439
Phone: 800.287.2843
www.c2g.com

Follow Us

