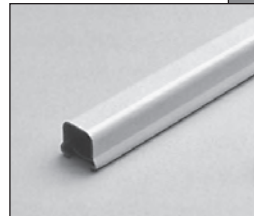


700[®] SERIES Steel Raceway



One-Piece Steel Surface Raceway

Wiremold[®] 700 Series Raceway is ideal for surface mounting small amounts of electrical wiring or communication cables. These rugged raceways offer a low profile appearance which blend with any decor. 700 Series Raceway all come with our exclusive ScuffCoat[™] finish for increased durability and scratch-resistance.



700 Series Raceway profile.

700 Series Raceway and components used in a ceiling fan installation.

FEATURES & BENEFITS

- **Low-profile, unobtrusive appearance.** Blends with any decor or setting. Excellent for low-voltage wiring.
- **ScuffCoat finish.** Tough, durable, scratch-resistant finish which can be overpainted with latex paint.
- **Surface mounting.** Eliminates disturbing the building structure or wall finish to make renovations easy.
- **Full line of fittings.** Provides unlimited wiring solutions and interconnection between raceway systems.
- **More choice of colors.** 700 Series Raceway and Fittings are available in ivory and white.
- **Fittings have removable covers.** Allows easy access to wiring for changes and additions.
- **Raceway cutters with replaceable blades.** Cuts raceway cleanly, reduces labor, and installation time.
- **Datacom connectivity options.** Accepts industry standard and proprietary devices from a wide range of manufacturers to provide a seamless and aesthetically pleasing interface for voice, data, audio, and video applications at the point of use.
- **UL5 and ADA compliant.** Raceway and fittings meet UL5 specifications and can be installed in conformance with ADA requirements.
- **UL and cUL Listed component raceways.** File E4376 Guide RJBT, Fittings: File E41751 Guide RJPR. Meets Article 386 of NEC and meets Section 12-600 of CEC.



Typical applications for 700 Series Raceway.

700 SERIES WIRE FILL CAPACITY CHARTS

700 SERIES RACEWAY WIRE FILL CAPACITIES FOR POWER

WIRE SIZE THHN/THWN	O.D.		Number of Connectors 40% Fill 700 SERIES
	Inches	(mm)	
14 AWG	0.111	2.8	10
12 AWG	0.130	3.3	7
10 AWG	0.164	4.2	4

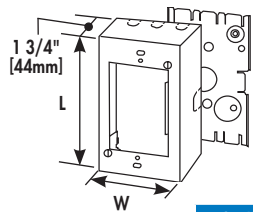
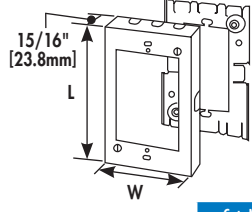
700 SERIES RACEWAY WIRE FILL CAPACITIES FOR COMMUNICATIONS

	CABLE/WIRE SIZE	O.D.		700 SERIES	
		Inches	(mm)	20% FILL	40% FILL
UNSHIELDED TWISTED PAIR	4 Pair, 24 AWG, Cat3	0.190	4.8	1	3
	4 Pair, 24 AWG, Cat5e	0.210	5.3	1	3
	4-Pair, 24 AWG, Cat6	0.250	6.3	1	2
TELEPHONE	2 Pair, 24 AWG	0.140	3.6	3	6
	3 Pair, 24 AWG	0.150	3.8	2	5
	4-Pair, 24 AWG	0.190	4.8	1	3
	25-Pair, 24 AWG	0.410	10.4	0	0
COAXIAL	RG58/U	0.195	5.0	1	3
	RG59/U	0.242	6.1	1	2
	RG62/U	0.242	6.1	1	2
	RG6/U	0.270	6.9	0	1
TWINAXIAL	100 Ohm	0.330	8.4	0	1
SHIELDED TWISTED PAIR	TYPE 1	0.390	9.9	0	0
	TYPE 2	0.465	11.8	0	0
	TYPE 3	0.245	6.2	0	1
FIBER	Mini ZipCord	0.079 x 0.157	2 x 4	4	8
	ZipCord	0.118 x 0.236	3 x 6	1	3
	Round 4 Strand Fiber	0.187	4.8	1	3
	Round 6 Strand Fiber	0.256	6.5	1	2

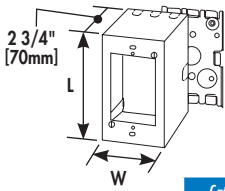
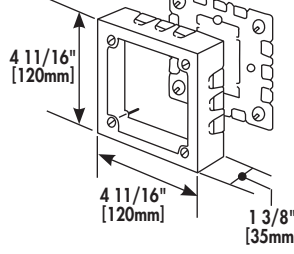
* 20% cable fill is calculated to approximate reduction in cable capacity due to connectors mounted within raceway and fittings that may restrict cross sectional area.

** 40% cable fill is the maximum designed cable fill based on a proposed revision to TIA/EIA 569-A.

700 SERIES RACEWAY DEVICE BOXES

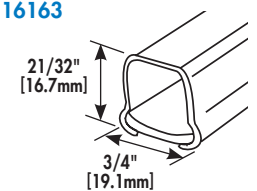
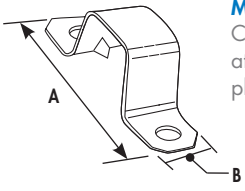
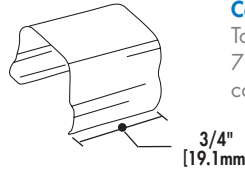
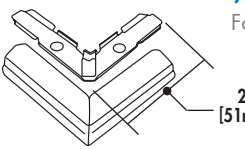
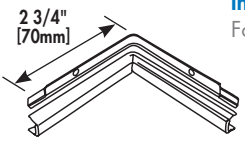
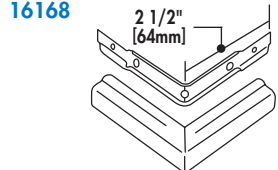
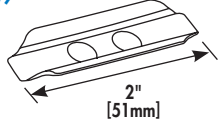
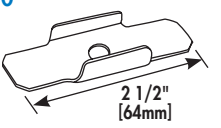
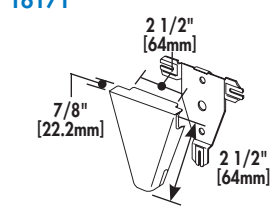
Part No.	Description/Specifications	Part No.	Description/Specifications																				
16172 	Device Box For deep switches, receptacles and communication devices. Base has two 1/2" trade size KOs.	16174 	Flush-Type Extension Adapter For extensions from existing flush wall boxes. Larger gangs available, consult factory.																				
	<table border="1" style="width: 100%; text-align: center;"> <thead> <tr> <th>Cat. No.</th> <th>L</th> <th>W</th> <th>GANG #</th> </tr> </thead> <tbody> <tr> <td>16172</td> <td>4 5/8" (118mm)</td> <td>2 7/8" (73mm)</td> <td>1</td> </tr> <tr> <td>16173</td> <td>4 3/4" (121mm)</td> <td>4 3/4" (121mm)</td> <td>2*</td> </tr> </tbody> </table>	Cat. No.	L	W	GANG #	16172	4 5/8" (118mm)	2 7/8" (73mm)	1	16173	4 3/4" (121mm)	4 3/4" (121mm)	2*		<table border="1" style="width: 100%; text-align: center;"> <thead> <tr> <th>Cat. No.</th> <th>L</th> <th>W</th> <th>GANG #</th> </tr> </thead> <tbody> <tr> <td>16174</td> <td>4 5/8" (118mm)</td> <td>2 7/8" (73mm)</td> <td>1</td> </tr> </tbody> </table>	Cat. No.	L	W	GANG #	16174	4 5/8" (118mm)	2 7/8" (73mm)	1
Cat. No.	L	W	GANG #																				
16172	4 5/8" (118mm)	2 7/8" (73mm)	1																				
16173	4 3/4" (121mm)	4 3/4" (121mm)	2*																				
Cat. No.	L	W	GANG #																				
16174	4 5/8" (118mm)	2 7/8" (73mm)	1																				

700 SERIES RACEWAY DEVICE BOXES (continued)

Part No.	Description/Specifications								
<p>16175</p>  <table border="1" style="margin-top: 10px; width: 100%; text-align: center;"> <thead> <tr style="background-color: #0070C0; color: white;"> <th>Cat. No.</th> <th>L</th> <th>W</th> <th>GANG #</th> </tr> </thead> <tbody> <tr> <td>16175</td> <td>4 5/8" (118mm)</td> <td>2 7/8" (73mm)</td> <td>1</td> </tr> </tbody> </table>	Cat. No.	L	W	GANG #	16175	4 5/8" (118mm)	2 7/8" (73mm)	1	<p>Extra Deep Device Box Designed for deep devices – momentary contact, and remote control switches, hospital signaling system devices, and deep communication devices. Base has 1/2" trade size KOs.</p>
Cat. No.	L	W	GANG #						
16175	4 5/8" (118mm)	2 7/8" (73mm)	1						
<p>16176 (Red)</p> 	<p>Two-Gang Alarm Device Box For surface mounting alarm devices and safety signals designed to fit 4" [102mm] square back boxes. Cover has three raceway twistouts on each side. Base has 1/2" and 1" trade size concentric and single-gang box KOs.</p>								

NOTES: Covers on this page have double twistouts. Break out lower twistout for use with V500, and both twistouts for use with V700.
 * 16173 Base has 1/2" and 1" concentric trade size KOs and a 1 13/16" x 2 7/8" [47mm x 73mm] rectangular KO to permit mounting on a one-gang in-wall outlet box.
 † Replace V with VC or WH with WHC to denote Canadian version – Agency approved for sale in Canada.
 ‡ Larger gangs available, consult factory.

700 SERIES RACEWAY & FITTINGS

Part No.	Description/Specifications
<p>16163</p> 	<p>Raceway .040" (1.0mm) steel. Comes in 5 ft. (3.05mm) lengths, one 16169 Coupling furnished with each length.</p>
<p>16164</p> 	<p>Mounting Strap (1- or 2-Hole) Convert to one-hole by breaking off at score. Lanced tab holds strap in place while fastening to surface.</p>
<p>16165</p> 	<p>Connection Cover To cover openings where lengths of 700 Series is not squarely cut, come together.</p>
<p>16166</p> 	<p>90° Flat Elbow For right angle turns on same surface.</p>
<p>16167</p> 	<p>Internal Elbow For inside surfaces at right angles.</p>
<p>16168</p> 	<p>External Elbow For outside surfaces at right angles.</p>
<p>16169</p> 	<p>Coupling For joining and supporting lengths of 700 Series raceway. One coupling supplied with each length.</p>
<p>16170</p> 	<p>Supporting Clip For supporting lengths of 700 Series raceway at any point desired.</p>
<p>16171</p> 	<p>Tee For branches at right angles. Break out crescent twistout in cover to use with 700.</p>

NOTE: Use #6 flat head screws with all fittings requiring screws except with 16164 use #8 pan head screws.

C2G & WIREMOLD PART NUMBER CONVERSION CHART

C2G Part Number	Wiremold Part Number	Item Description: 700 Series Raceway
16163	V700-5	Ivory Raceway - 5ft (10 Pack)
16164	V704	Ivory Mounting Straps (10 Pack)
16165	V706	Ivory Connection Cover (10 Pack)
16166	V711	Ivory 90 Degree Flat Elbow
16167	V717	Ivory Internal Elbow
16168	V718	Ivory External Elbow
16169	5701	Coupling (10 Pack)
16170	V5703	Supporting Clip (10 Pack)
16171	V5715	Ivory Tee (10 Pack)
16172	V5748	Ivory One-Gang Device Box
16173	V5748-2	Ivory Two-Gang Device box
16174	V5751	Ivory Flush-Type Extension Adapter
16175	V5744	Ivory One-Gang Extra Deep Device Box
16176	R5752	Red Two-Gang Alarm Device Box



CABLES TO GO

Cables To Go
 3555 Kettering Blvd.
 Moraine, OH 45439
 Phone: 800.287.2843
 www.c2g.com

Follow Us

