



WIREMOLD® Steel Raceway Systems

Low Profile, Single & Dual Channel Steel Raceway

2400® Series Raceway is a single compartment raceway designed for communication or power applications and ideal for use in classrooms, offices, and hotel applications, or anywhere a small low profile raceway is needed.

2400D Series Divided Raceway is a low profile steel raceway for use where a limited number of power and low voltage cables are required in the same raceway.

2400 Series Raceway shown in a typical school library application.



FEATURES & BENEFITS

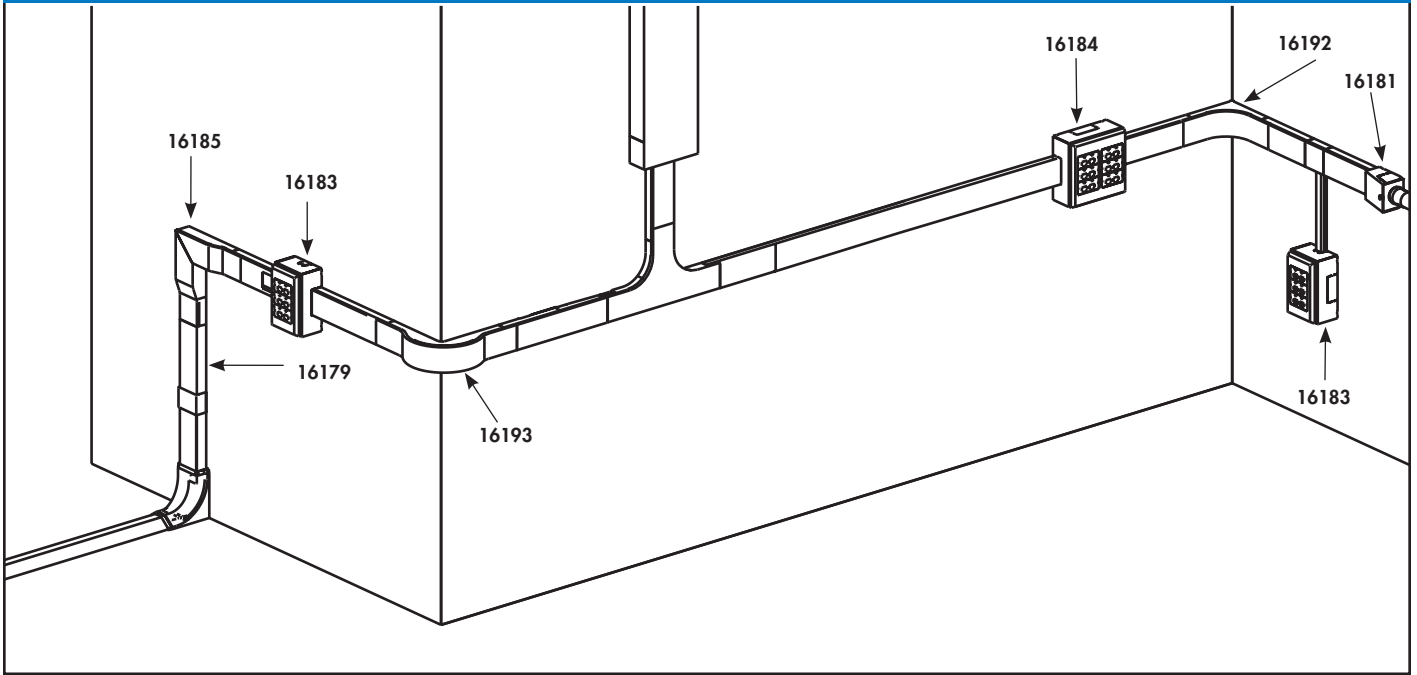
- **Steel raceway.** Provides superior strength for any dry location.
- **Single and dual-compartment attractive low profile raceway design.** Provides functionality and flexibility with aesthetics for single or dual service applications.
- **Downward facing activations.** Streamlines the raceway appearance and provides increased protection for both activations and cabling.
- **ScuffCoat™ finish.** Tough durable ScuffCoat finish makes a scratch-resistant surface that can be painted.
- **Complete line of fittings.** Provides complete wiring solution and allows for interconnection between raceway systems.
- **Removable cover.** Allows easy access to wiring for changes and additions.
- **One- and two-gang device boxes.** Now you can wire devices into the raceway system, making 2400 Series Raceway an excellent choice for communication wiring.
- **Over the raceway boxes.** Provides tremendous labor savings. Boxes mount over continuous run of raceway base eliminating the need to cut raceway when locating devices.
- **Bend radius control fittings.** Corner and tee fittings are UL verified to maintain full capacity 2" [51mm] bend radius control and exceed the recommendations of EIA/TIA 569A. These fittings provide cable protection in both lay-in and pull-through cable installations.
- **2475D Bridge Fitting.** Provides ability to bridge 2400 Series Raceways over existing installations of 2400, 700, and 500 Series Raceways.
- **In-line field-configurable receptacles.** Receptacles can be installed at any point along the raceway without a box.
- **In-line 106 frame data outlet.** A wide variety of data modules can be installed anywhere along the raceway run without a box.
- **Datacom connectivity options.** Accepts industry standard and proprietary devices from a wide range of manufacturers to provide a seamless and aesthetically pleasing interface for voice, data, audio, and video applications at the point of use.
- **UL and cUL Listed component raceways.** File E4376 Guide RJBT, Fittings: File E41751 Guide RJPR. Meets Article 386 of NEC and meets Section 12-600 of CEC.



2400 Series Raceway shown with our new 2444D-2N Divided Device Box in a typical classroom application.

Now compatible with A/V Devices!

2400 SERIES RACEWAY SYSTEM LAYOUT (COMMUNICATION APPLICATIONS)

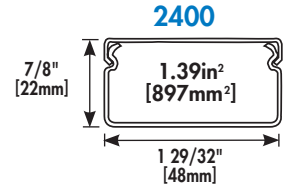


NOTE: Illustration is for product applications and may not represent proper circuit wiring.

2400 SERIES RACEWAY WIRE FILL CAPACITY CHARTS

2400 RACEWAY WIRE FILL CAPACITIES FOR POWER*

WIRE SIZE THHN/THWN	O.D.		NUMBER OF CONDUCTORS (40% FILL)	
	Inches	(mm)	WITHOUT DEVICES	WITH 2427 RECEPTACLE
14 AWG	0.111	2.8	57	12
12 AWG	0.130	3.3	41	9
10 AWG	0.164	4.2	26	—

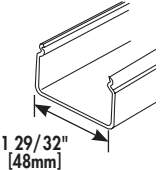
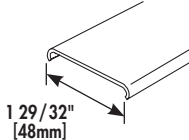
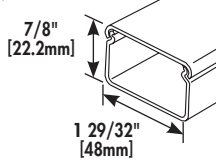


*For additional information, refer to Technical Section in the current version of the Wiremold Catalog.

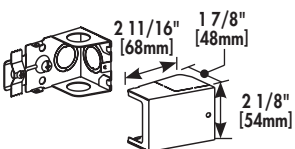
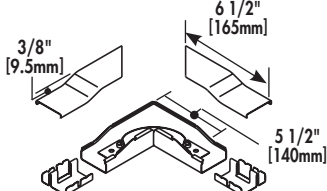
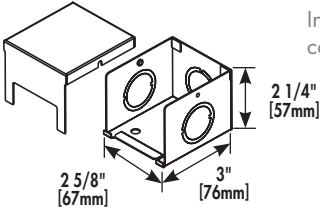
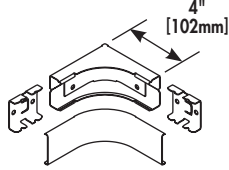
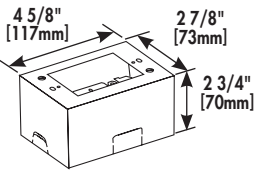
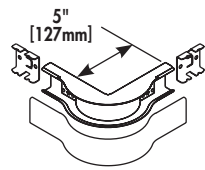
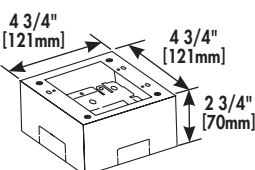
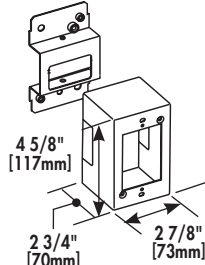
2400 RACEWAY WIRE FILL CAPACITIES FOR COMMUNICATIONS

TYPE	CABLE/WIRE SIZE	O.D.		40% FILL
		Inches	(mm)	
UNSHIELDED TWISTED PAIR	4 Pair, 24 AWG, Cat3	0.190	4.8	19
	4 Pair, 24 AWG, Cat5e	0.210	5.3	16
	4-Pair, 24 AWG, Cat6	0.250	6.3	11
	4-Pair, 24 AWG, Cat6a	0.354	8.9	5
	25-Pair, 24 AWG	0.410	10.4	4
COAXIAL	RG6/U	0.270	6.9	9
FIBER	ZipCord	0.118 x 0.236	3 x 6	20
	Round 4-Strand Fiber	0.187	4.8	20
	Round 6-Strand Fiber	0.256	6.5	10

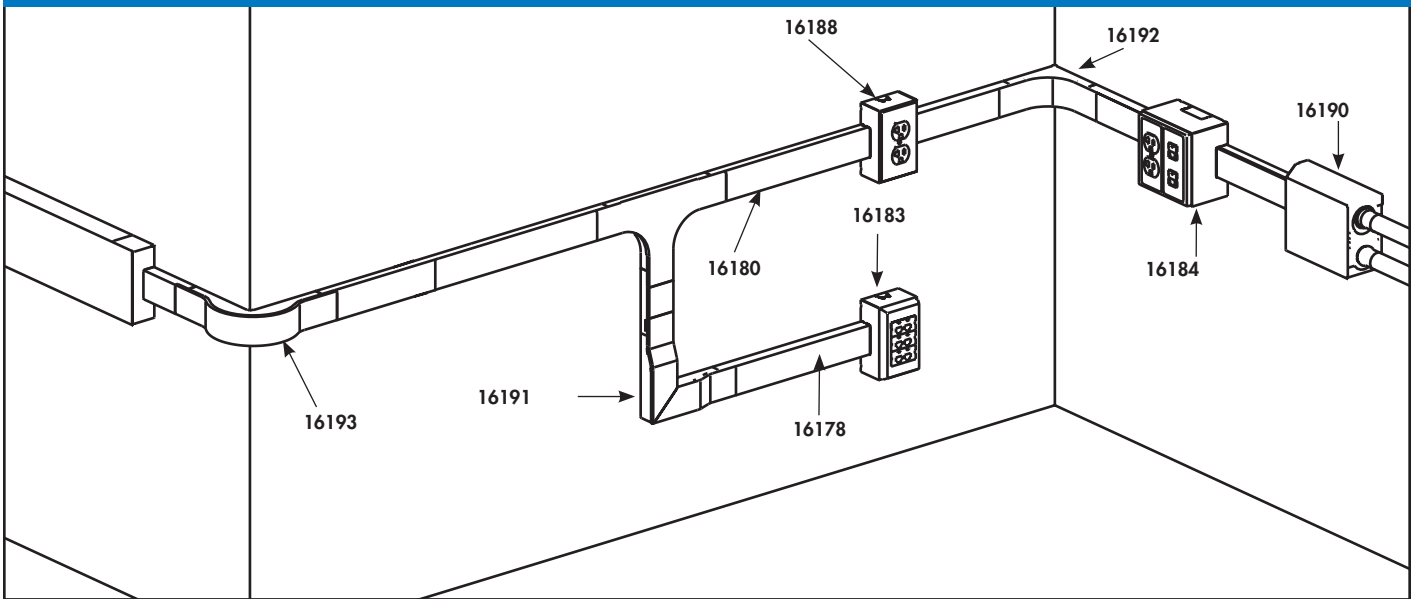
2400 SERIES RACEWAY BASE & COVER

Part No.	Description/Specifications	Part No.	Description/Specifications
16177	 <p>Raceway Base .040" [1.0mm] steel; packed twenty 5' [1.5m] lengths per carton, or ten 10' [3.0m] lengths per carton.</p>	16178	 <p>Raceway Cover .040" [1.0mm] steel; packed twenty 5' [1.5m] lengths per carton.</p>
16179	 <p>Raceway Base & Cover .040" [1.0mm] steel. Packed ten 5' [1.5m] lengths of base and cover per carton.</p>		

2400 SERIES RACEWAY FITTINGS

Part No.	Description/Specifications	Part No.	Description/Specifications
<p>16181</p> 	<p>Entrance End Fitting Feeds 2400 Series Raceway. Includes 1/2" and 3/4" trade size KOs on end and bottom. Additional 1/2" trade size KO on both sides.</p>	<p>16185</p> 	<p>Radiused Flat Elbow 90° flat corner that provides 2" [51 mm] cable bend radius control for fiber optic and UTP STP cable installations. Ideal for lay-in or pull-through installations. Couplings included.</p>
<p>16182</p> 	<p>Full Capacity Entrance End Fitting Feeds 2400 Series Raceway. Includes three 3/4" and 1" concentric trade size KOs.</p>	<p>16186</p> 	<p>Radiused Internal Elbow 90° internal corner. Provides a controlled 2" [51 mm] cable bend radius control for fiber optic and UTP/STP cable installations. Couplings included.</p>
<p>16183</p> 	<p>Extra Deep Device Box One-gang device box has extra depth to permit installation of cabling that requires greater bend radius and storage. Cover has one twistout for 2400 Series Raceway on two sides and one twistout for 700 Series Raceway on the top and bottom. Accepts industry standard faceplates for electrical and communication devices.</p>	<p>16187</p> 	<p>Radiused External Elbow 90° external elbow. Provides a controlled 2" [51 mm] cable bend radius control for fiber optic and UTP/STP cable installations. Couplings included.</p>
<p>16184</p> 	<p>Extra Deep Device Box Two-gang device box has extra depth to permit installation of cabling that requires greater bend radius and storage. Cover has four twistouts for 2400 Series Raceway. Base includes knockout to enable extension from existing single-gang flush wall box and 1/2" and 1" concentric trade size KOs. Accepts industry standard faceplates for electrical and communication devices.</p>	<p>16188</p> 	<p>Device Box One-gang, labor saving, over-the-raceway box for use with 2400 Series Raceway. Cover has two twistouts for 2400 Series Raceway. Accepts industry standard faceplates for electrical and communication devices.</p>

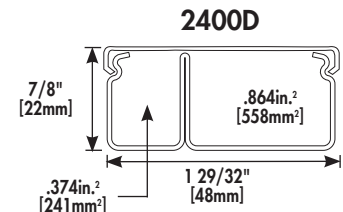
2400D SERIES DIVIDED RACEWAY SYSTEM LAYOUT FOR POWER & DATA



NOTE: Illustration is for product applications and may not represent proper circuit wiring.

2400D SERIES DIVIDED RACEWAY WIRE FILL CAPACITIES

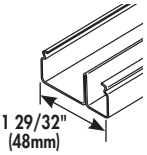
WIRE SIZE THHN/THWN	O.D.		NUMBER OF CONDUCTORS (40% FILL)	
	Inches	(mm)	1/3 COMP.	2/3 COMP.
14 AWG	0.111	2.8	11	26
12 AWG	0.130	3.3	9	19
10 AWG	0.164	4.2	6	11



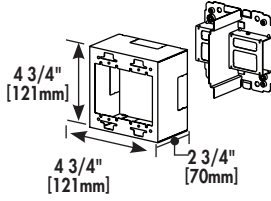
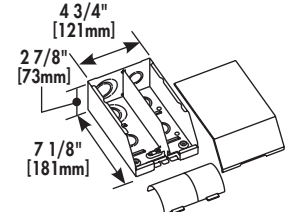
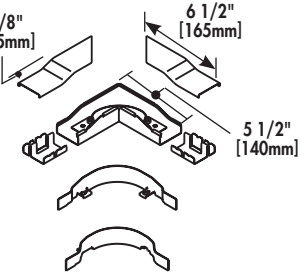
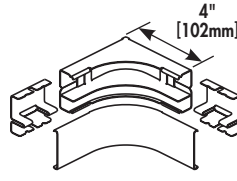
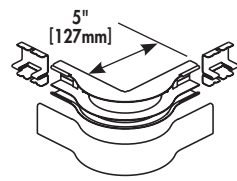
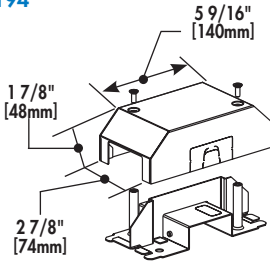
2400D SERIES DIVIDED RACEWAY WIRE FILL CAPACITIES FOR COMMUNICATIONS

TYPE	CABLE/WIRE SIZE	O.D.		1/3 COMPARTMENT	2/3 COMPARTMENT
		Inches	(mm)	40% FILL	40% FILL
UNSHIELDED TWISTED PAIR	4 Pair, 24 AWG, Cat3	0.190	4.8	5	12
	4 Pair, 24 AWG, Cat5e	0.210	5.3	4	9
	4-Pair, 24 AWG, Cat6	0.250	6.3	3	7
	4-Pair, 24 AWG, Cat6a	0.354	8.9	1	3
	25-Pair, 24 AWG	0.410	10.4	1	2
COAXIAL	RG6/U	0.270	6.9	2	6
FIBER	ZipCord	0.118 x 0.236	3 x 6	5	12
	Round 4-Strand Fiber	0.187	4.8	5	12
	Round 6-Strand Fiber	0.256	6.5	2	6

2400D SERIES DIVIDED RACEWAY BASE & COVER

Part No.	Description/Specifications
16180 	Raceway Base 040" [1.0mm] steel; divided into 1/3 and 2/3 compartments. Packed ten 10' [3.0m] lengths per carton.

2400 SERIES DIVIDED RACEWAY FITTINGS

Part No.	Description/Specifications
16189 	Divided Device Box Labor savings over-the-raceway box. A divided two-gang box for use with 2400D Series Raceway. Allows both power and low voltage at a single point-of-use. For use with commercially available faceplates (not supplied).
16190 	Full Capacity Entrance End Fitting Feeds 2400 & 2400D Series Raceway. Includes 1/2", 3/4", and 1" trade size KOs on back and end. Removable divider and bend radius control insert included.
16191 	Radiused Divided Flat Elbow 90° flat elbow with integral dividers to provide 2" [51mm] full capacity cable bend radius control for fiber optic and UTP/STP cable installations. Ideal for lay-in or pull-through installations. Couplings included.
16192 	Extra Deep Device Box 90° internal corner. Provides a 2" [51mm] full capacity cable bend radius control for fiber optic and UTP/STP cable installations. Couplings included.
16193 	Radiused Divided External Elbow 90° external elbow. Provides a 2" [51mm] full capacity cable bend radius control for fiber optic and UTP/STP cable installations. Couplings included.
16194 	Bridge Fitting For allowing 2400D Series Raceway to bridge over existing installations of 2400, 2400D, and 700 Series Raceways.

C2G & WIREMOLD PART NUMBER CONVERSION CHART

C2G Part Number	Wiremold Part Number	Item Description: 2400 Series Raceway
16177	V2400B-10	Ivory Raceway Base - 10ft (10 Pack)
16178	V2400C	Ivory Raceway Cover - 5ft (20 Pack)
16179	V2400BC	Ivory Raceway Base and Cover - 5ft (10 Pack)
16180	V2400BD	Ivory Divided Raceway Base and Cover - 10ft (10 Pack)
16181	V2410C	Ivory Entrance End Fitting
16182	V2410FC	Full Capacity Entrance End Fitting
16183	V2444	Ivory One-Gang Extra Deep Device Box
16184	V2444-2	Ivory Two-Gang Extra Deep Device Box
16185	V2411FO	Ivory Radiused Flat Elbow
16186	V2417FO	Ivory Radiused Internal Elbow
16187	V2418FO	Ivory Radiused External Elbow
16188	V2444D	Ivory One-Gang Device Box
16189	V2444D-2N	Ivory Two-Gang Divided Device Box
16190	V2410DFO	Ivory Divided Full Capacity Entrance End Fitting
16191	V2411DFO	Ivory Radiused Divided Flat Elbow
16192	V2417DFO	Ivory Divided Internal Elbow
16193	V2418DFO	Ivory Divided External Elbow
16194	V2475D	Ivory Divided Bridge Fitting



CABLES TO GO

Cables To Go
3555 Kettering Blvd.
Moraine, OH 45439
Phone: 800.287.2843
www.c2g.com

Follow Us

