



Cat5e Snagless Slim Patch Cables

- Supports voice/data/video distribution applications up to 350 MHz
- Meets all Cat6 TIA/EIA-568-C.2 standard for Patch Cord Performance*
- 28AWG cable is perfect for crowded spaces inside a rack unit or limited spaces
- Lifetime Warranty

*Note: This patch cable does not meet the recommend conductor size, 22-26AWG, requirement of ANSI/TIA-568-C.2. Attenuation is increased due to the smaller 28AWG conductors.



Specifications: Cat5e Snagless Slim Patch Cables

Electrical Specifications:

Conductor DC Resistance:	9.38Ω/100m (maximum)
Impedance:	100Ω
Capacitance:	5600pf/100m
Propagation Delay:	545ns/100m (maximum)
Delay Skew:	45ns/100m (maximum)

Physical Specifications:

Wiring Scheme:	T568B
Temperature Rating:	60°C
Voltage Rating:	30V
Approvals:	CE
Warranty:	Lifetime
Package Type:	Polybag

Conductor (4 pair):

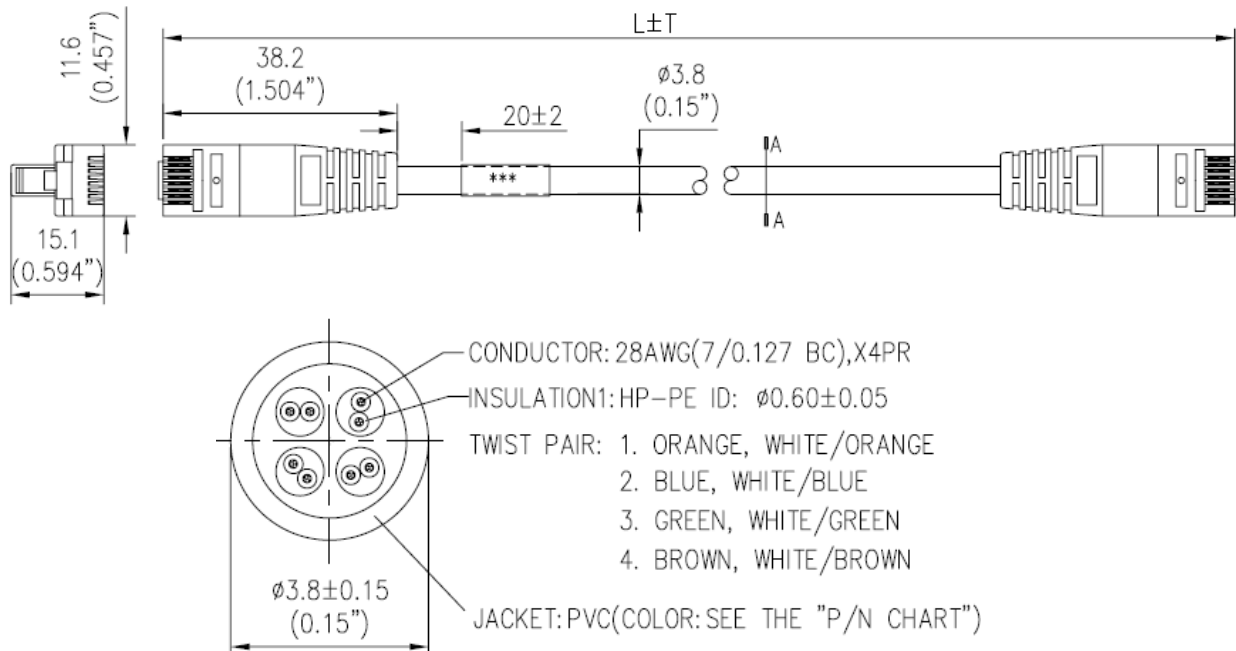
Conductor:	28AWG (7/0.127 BC)
Insulation:	HD-PE ID: $\varnothing 0.60 \pm 0.05$
Twist Pair:	Orange, White/Orange, Blue, White/Blue, Green, White/Green Brown, White/Brown

Connectors (Qty 2):

Connector Type:	8P8C (RJ45)
Gender:	Male
Contacts:	Gold Plated 50 μ
Hood:	Molded PVC, UL94V-0

Overall Cable

Jacket:	PVC
OD:	3.8 ± 0.15



Specifications: Cat5e Snagless Slim Patch Cables

Length	Blue	Gray	Black
0.5ft	01017	01035	01053
1ft	01018	01036	01054
1.5ft	01019	01037	01055
2ft	01020	01038	01056
2.5ft	01021	01039	01057
3ft	01022	01040	01058
4ft	01023	01041	01059
5ft	01024	01042	01060
6ft	01025	01043	01061
7ft	01026	01044	01062
8ft	01027	01045	01063
9ft	01028	01046	01064
10ft	01029	01047	01065
11ft	01030	01048	01066
12ft	01031	01049	01067
13ft	01032	01050	01068
14ft	01033	01051	01069
15ft	01034	01052	01070

