



Cisco® Compatible QSFP+ Copper Direct Attach Cables (DAC)—Passive

- Supports all current 10Gb and 40Gb Ethernet Standards
- Up to 10.3125 Gbps Transfer rate per SFP channel (40 Gbps aggregate)
- Constructed with premium 30AWG, 100Ohm cable
- Features QSFP+ and SFF-8436 standards based connectors with quick release pull-latches
- Lifetime Warranty

Specifications: Cisco® Compatible QSFP+ Copper Direct Attach Cables (DAC)—Passive

Electrical Specifications:

| | |
|---|---------------------------------|
| Data Rate Supported: | 10Gb and 40Gb standards |
| Supply Voltage: | Min—3.135V Max—3.465V |
| Power Supply Current: | 80mA (Max) |
| Total Power Consumption: | 0.5W (Max) |
| Differential Input Voltage Swing (V DIFF): | Min—100 mVp-p Max—1800 mVp-p |
| Differential Output Voltage Swing (V DIFF): | 600 mVp-p (Max) |
| Data Output Rise Time/Fall Time (Tr, Tf): | 120 ps (Max) |
| Differential Impedance: | 100±5 Ohms |

Physical Specifications:

| | |
|------------------------|---|
| Operating Temperature: | -20°C to 70°C; 35-60% RH (Non-Condensing) |
| Storage Temperature: | -40°C to 85°C; 25-70% RH (Non-Condensing) |
| Approvals: | CE |
| Warranty: | Lifetime |

Conductor (2 Pair):

| | |
|------------|---|
| Conductor: | 30AWG (1/0.280TC) |
| Shield: | AL Mylar Wrap Braid, 16/4/0.10TC 85% Coverage |
| Drain: | 30AWG |

Conductor (1):

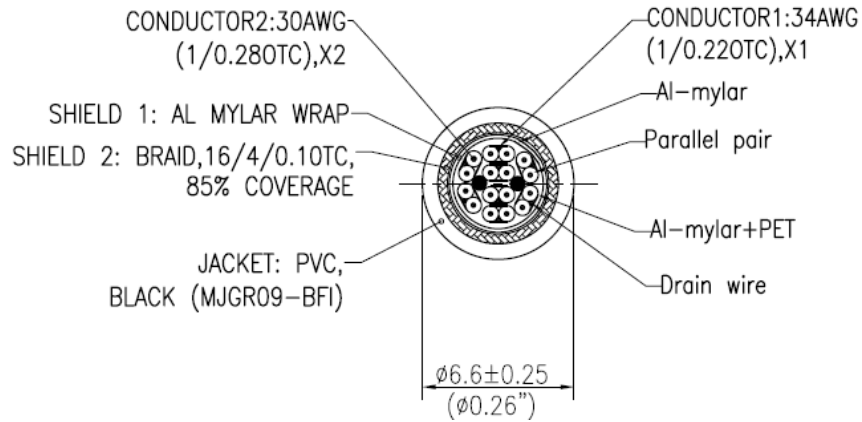
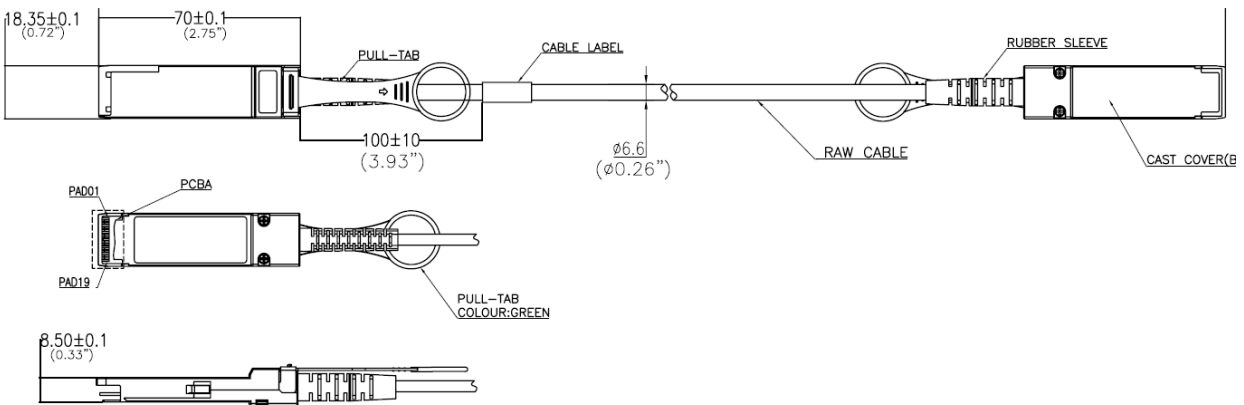
| | |
|------------|-------------------|
| Conductor: | 34AWG (1/0.220TC) |
|------------|-------------------|

Overall Cable

| | |
|---------|----------|
| Jacket: | PVC |
| OD: | 6.6±0.25 |



Specifications: Cisco® Compatible QSFP+ Copper Direct Attach Cables (DAC)—Passive



| Part Number | Description | Weight (lbs) |
|-------------|--|--------------|
| 00995 | 1m Cisco[R] Compatible QSFP+ Copper Direct Attach Cable, Passive - QSFP-H40GB-CU1M-C2G | 0.334 |
| 00996 | 3m Cisco[R] Compatible QSFP+ Copper Direct Attach Cable, Passive - QSFP-H40GB-CU3M-C2G | 0.790 |