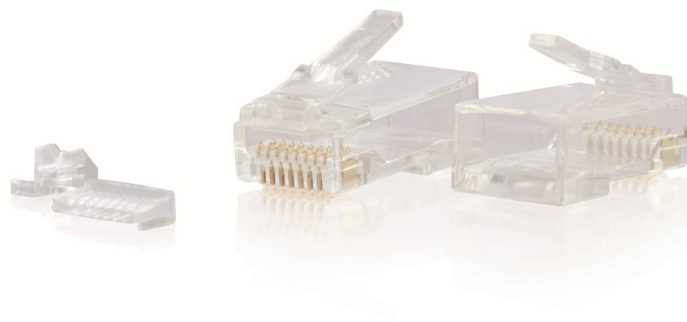


SPECIFICATION SHEET



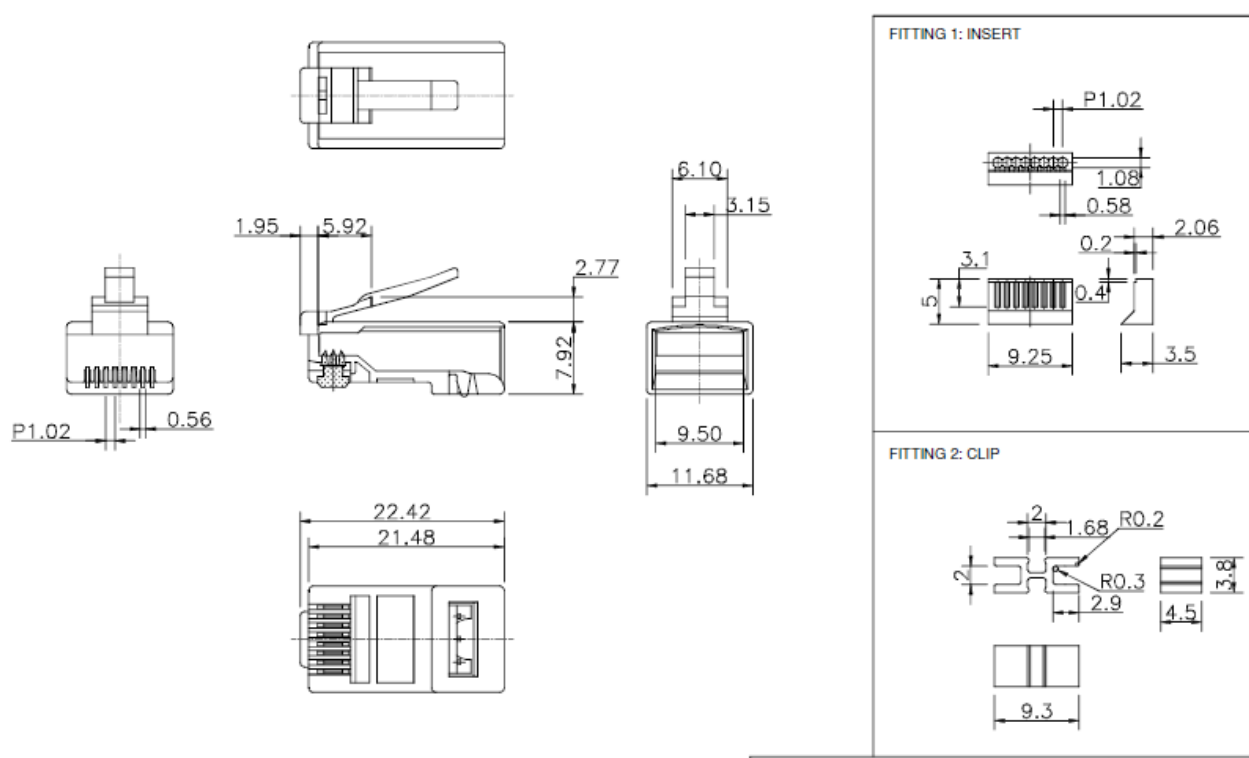
RJ45 Cat6 Modular Plugs

- Supports Cat6 performance
- Accepts 24 and 26AWG solid or stranded cable
- 3 piece design with load bar to maintain the integrity of twisted pairs
- TAA compliant

Specifications: RJ45 Cat6 Modular Plugs

Connector Specifications:

Category Speed Supported:	Cat 6
Cable AWG Supported:	24 or 26
Contacts:	50 micron gold-plated
Dimensions:	22.42 x 11.68 x 7.92mm
Rated:	94V-0



Part Number	Description	Weight (lbs)
00887	RJ45 Cat6 Modular Plug— 10 pack	
00888	RJ45 Cat6 Modular Plug— 25 pack	
00889	RJ45 Cat6 Modular Plug— 50 pack	
00890	RJ45 Cat6 Modular Plug— 100 pack	



CABLES TO GO

Cables To Go
 3555 Kettering Blvd.
 Moraine, OH 45439
 Phone: 800.287.2843
 www.c2g.com

Follow Us

