



## 4 x 2 HDMI™ Matrix Switch

Model: 40444



Operation Manual *ver 1.0*

## Operation Manual

# 4 x 2 HDMI™ Matrix Switch

4 inputs and 2 outputs for flexible audio/video distribution

Model: 40444

Thank you for purchasing the Matrix Switch. **We recommend that you read this manual thoroughly and retain for future reference.**



### Function:

---

Simultaneously route any 4 devices to your choice of two monitors/displays, or deliver one signal to both displays. Connect all your HDTV products such as DVD players, satellite receivers, cable set-top boxes, or gaming systems and watch any picture on either of two plasma, CRT, LCD, or projection televisions with complete independence.

The HDMI matrix switch supports all video resolutions up to full 1080p high-definition, and is compatible with HDCP and DDWG standards. The attractive device may be placed on a shelf or mounted in a 19" professional rack. Display selections may be made with the included discrete command remote control, front panel buttons, or via RS-232 for seamless integration in more advanced control systems.

### Package Contents

---

- 40444 HDMI Matrix Switch
- 5VDC Power Adapter
- Infrared Remote Control
- Mounting Hardware
- Operation Manual

## Table of Contents

Functions .....	ii
Package Contents.....	ii
Features.....	1
Connecting the Matrix Switch .....	1
Operating the Matrix Switch.....	
Operating the Matrix Switch with the remote control.....	2
Operating the Matrix Switch from the front panel.....	2
Operating the Matrix Switch via RS-232.....	3
Troubleshooting.....	5
Specifications.....	5
Replaceable Parts.....	6
Warranty/Important Safety Information.....	6

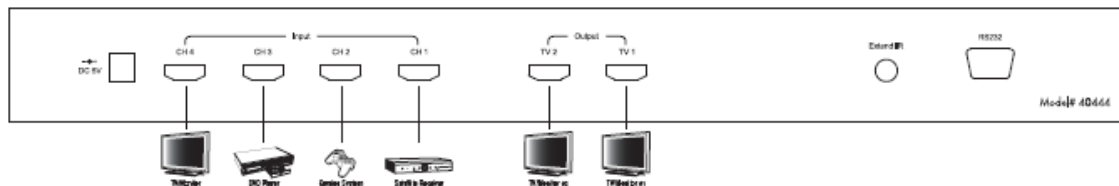
## Features:

- **Supports up to 1080p**  
Supports 480i, 480p, 720p, 1080i, 1080p resolutions
- **Slim Line Remote Control**  
Operate the switch from a distance or program commands into your existing remote control system
- **Blue LEDs**  
Blue LEDs to enhance appearance and match existing equipment in your system
- **RS-232 Control Capability**  
Seamlessly integrate this unit into an existing home automation system
- **Infrared Extension Jack**  
Extend the reach of IR signals for remote control

## Connecting the 40444 HDMI 4 X 2 Matrix Switch:

- For Optimal performance, use high-quality high-speed HDMI™ cables.
- The Switch's input and output jacks are clearly marked making it simple for easy cable connections
- To connect the switch to your digital equipment perform the following tasks:
  1. Power down all components that will be connected to the switch.
  2. Connect an HDMI cable from each of the HDMI sources to an input on the Matrix Switch
  3. Connect an HDMI cable from an output on the Matrix switch to each display
  4. Connect a DB9 cable for RS-232 option (if required)
  5. Connect a 3.5mm cable for remote control extender (if required)
  6. Power on the matrix switch and all connected equipment

## Diagram of connections:



### Operating the Matrix Switch from the Front Panel

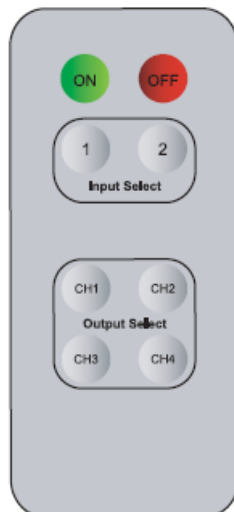
1. Power on the switch via remote control or RS-232 control (Note: There is no power switch on the front pane of the switch.)
2. The front panel includes two sets of input/output selectors for each TV. Press and release the selection button to scroll through the inputs until the appropriate display is achieved. For example to switch from input #1 to input #3, press the selection button two times.



### Operating the Matrix switch with the remote control

The remote control features 3 distinct areas of operations.

1. Power on the switch by pressing the green “ON” button on the remote control. (Note: There is a separate red “OFF” button use to power down the switch.
2. Choose the TV you wish to set by pressing “1” or “2” in the Receiver Selection area of the remote control. A green light will illuminate on the switch to identify the TV you have chosen.
3. In the Source area of the remote control, press one of the four “channel” buttons to select the input you wish to display on the current TV. For example, to view connected input #3, press “CH3” on the



## Operating the Matrix Switch via RS-232 control

### Transmission Format:

Baud Rate: 57600 BPS  
 Data Byte: 8 bits  
 Parity: None  
 Stop Bit: 1  
 Flow control: None

### Modem Cable Pinouts:

Switcher End			Controller End	
Pin	Definition		Pin	Definition
1	NC		1	NC
2	TxD	→	2	RxD
3	RxD	←	3	TxD
4	NC		4	NC
5	GND		5	GND
6	NC		6	NC
7	NC		7	NC
8	NC		8	NC
9	NC		9	NC

Command Code	Description
0x01	TV 1 Output Port On
0x02	TV 2 Output Port On
0x05	CH 1 Input Port On
0x06	CH 2 Input Port On
0x07	CH 3 Input Port On
0x08	CH 4 Input Port On
0x09	TV Output Power On/Off

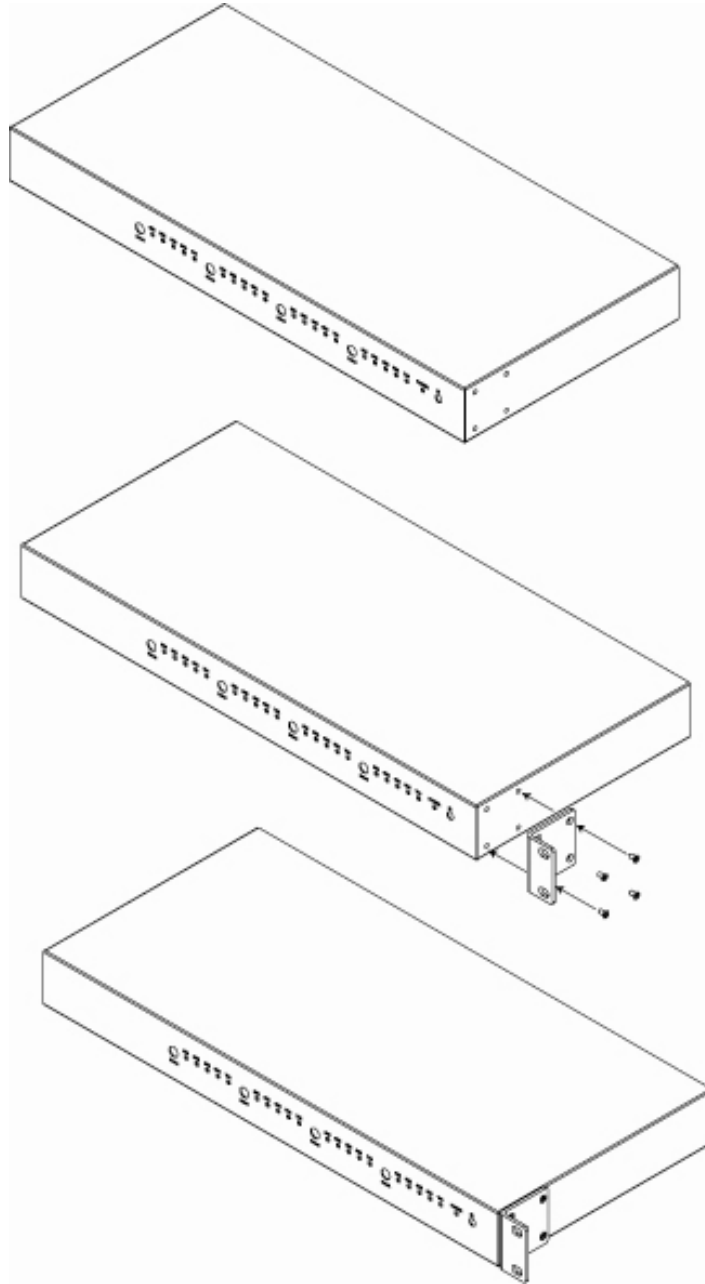
### Using Optional Infrared (IR) Extender Jack

The IR extender jack is for situations requiring the Matrix Switch to be mounted in a location where direct line-of-sight is not available. If you have purchased a standard IR extension module, connect it to the Extend IR jack of the unit and position the module in a manner that allows the furnished remote to be pointed at it without any obstructions between the remote and the IR extension module. The cable length will vary according to the manufacturer of the IR extension module.

Operation using the extended IR module accessory is the same as with the standard IR remote capability.

### Attaching Rack Mount Hardware

This switch may be installed in a standard equipment rack. Simply attach the included mounting hardware to the sides of the switch and affix the assembly to the rack.



Problem	Solution
<b>No Power</b>	Make sure power source is operational
<b>No Sound</b>	1. Make sure all connections are secure 2. Make sure all audio equipment is on proper settings
<b>No Picture</b>	1. Make sure all connections are secure 2. Check the front panel of the switch to see if the proper input by color code has been selected 3. Make sure that proper HDMI output is selected on equipment

### Troubleshooting:

### Specifications:

Interface	Inputs	Outputs
	HDMI TMDS (4)	HDMI TMDS (2)
<b>HDTV Resolutions</b>	480p, 720p, 1080i, 1080p	
<b>Dimensions (H-W-D)</b>	1.73" x 16.97" x 8" (44x431x203mm)	
<b>Remote Control</b>	Serial Interface RS-232 IR remote control	
<b>Replacement Parts</b>	IR Remote Control 98029 AC/DC Adapter 98028	
<b>Power</b>	External Power Supply 5VDC@3A	
<b>Weight</b>	5.0lbs. (2265g)	



## Replaceable Parts

---

In the event of a lost or damaged part, the following replaceable accessories are available. Please call 1-800-506-9606 for order information.

IR Remote Control	98029
AC/DC Adapter	98028

## Cables To Go™ One Year Warranty

At Cables To Go, we want you to be totally confident in your purchase. That is why we offer a one year warranty on this device. If you experience problems due to workmanship or material defect for the duration of this warranty, we will repair or replace this device. To request a Return Merchandise Authorization (RMA) number, contact customer service at 1-800-506-9606 or [www.cablestogo.com](http://www.cablestogo.com).

## Important Safety Information

**!** Do not plug the unit in any outlet that does not have enough current to allow the switch to function. Refer to the specifications in this manual for power level of the unit.

**!** Liquid:

If this unit or its corresponding power adapter has had liquid spilled on or in it, do not attempt to use the unit.

Do not attempt to use this product in an outdoor environment as elements such as rain, snow, hail, etc. can damage the product.

**!** In case of a storm, it is recommended that you unplug this device from the outlet.

**!** Avoid placing this product next to objects that produce heat such as portable heaters, space heaters, or heating ducts.

**!** THERE ARE NO USER SERVICEABLE PARTS

Do not attempt to open this product and expose the internal circuitry. If you feel that the product is defective, unplug the unit and refer to the warranty information section of this manual.