



## TruLink™ VGA Switcher/Extender w/Audio

Model: 39971 (2-port)



Model: 39972 (4-port)



Operation Manual  
ver. 1.0

# Operation Manual

## TruLink™ VGA Switcher/Extender w/Audio

Model: 39971 (2-port)  
39972 (4-port)

Thank you for purchasing the TruLink™ VGA Switcher/Extender w/Audio. **We recommend that you read this manual thoroughly and retain for future reference.**

39971



39972



### Function:

---

The TruLink™ VGA Switcher/Extender with Audio allows you to choose between multiple PCs to display it on one monitor or projector. Daisy-chain more than one switcher to expand the number of computers you can connect. With the built-in video signal enhancement, you can place the monitor up to 210 feet away while maintaining your video quality. No software is required and PC selection is easy. Switch between computers via push buttons or use the remote control for PC selection from up to 6 feet away.

### Package Contents

---

- VGA switch (1)
- Power supply (1)
- Remote control (1)
- Operation manual (1)

## Table of Contents

Functions .....	ii
Package Contents.....	ii
Features.....	1
Connecting the VGA Switcher/Extender.....	1-2
Operating the VGA Switcher/Extender.....	2
Operating the VGA Switcher/Extender with the remote control.....	2
Operating the VGA Switcher/Extender from the front panel.....	2
Troubleshooting.....	3
Specifications.....	3
Warranty/Important Safety Information.....	4

## Features:

- Display video output from up to two or four computers on a single monitor or projector
- PC selection via push buttons or IR remote control
- IR remote control allows you to switch outputs from up to 6 feet away
- Support Daisy-chain to expand the number of computers connection up to 3 layers.
- Enhance video signal enhancement allows monitor to be placed up to 210 feet away
- Supports video resolutions up to 2048x1536
- Suitable for VGA, SVGA, XGA, SXGA, UXGA, and Multi-sync monitors

## Connecting the VGA Switcher/Extender

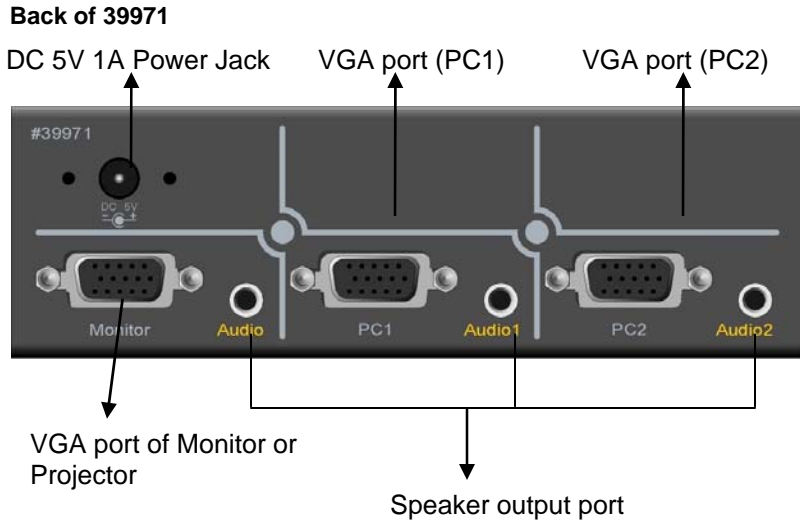
Examples in this manual will be with reference to product 39971.

Before you make any connections, you will need at least one VGA (HD15) male to male cable to connect from the switch to the monitor. You will also need up to four VGA/3.5mm audio cables to connect from your PCs to the switch.

1. Using a VGA cable connect your monitor or projector to the Monitor output on the switch. If you are using audio, connect your PC speakers to the related Audio output on the switch.
2. Connect your VGA cables from the PC inputs on the switch to VGA outputs on your PC. Also, connect your PC sound card to the Audio inputs using a 3.5mm audio cable.
3. Connect provided power supply to the switch and to an outlet.

### Front of 39971





## Operating the VGA Switcher/Extender

### Operating the VGA Switcher/Extender with the remote control

1. To operate the switch by remote first remove the isolation mylar from the back of the remote control.
2. Press 1 or 2 to select the input source of video and audio signal from computers.

Please remove the Isolation Mylar.



### Operating the VGA Switcher/Extender from the front panel



1. Press Push Button to select the input source of Video and Audio signal from computers connect

## Troubleshooting:

Problem	Solution
<b>No Picture</b>	<ol style="list-style-type: none"><li>1. Make sure all connections are tight.</li><li>2. Power down all equipment and power back on.</li></ol>
<b>No Sound</b>	<ol style="list-style-type: none"><li>1. Make sure audio connections are secure.</li><li>2. Check sound level out from your PC</li></ol>

## Specifications:

Number Of Computers Controlled		2 or 4 computer
Selection Method		Push Button or IR Remote Control
LED indicators		Red for PC Selected
		Green for PC ON-Line
PC connector ports	Video	2 or 4 x HDB-15 female
	Speaker	2 or 4 x Stereo speaker plugs
Console Ports	Video	1 x HDB-15 female
	Speaker	1 x Stereo speaker jack
DDC, DDC2 monitor		Yes (Max. Resolution: 2048x1536)@85Hz
Maximum Bandwidth		450 MHz
Power		DC 5V 1A
Dimensions (LxWxH)		14 x 8.5 x 4.5 (cm)
Unit Weight		400 g ( 39971) / 435 g (39972)

## Cables To Go™ One Year Warranty

At Cables To Go, we want you to be totally confident in your purchase. That is why we offer a one year warranty on this device. If you experience problems due to workmanship or material defect for the duration of this warranty, we will repair or replace this device. To request a Return Merchandise Authorization (RMA) number, contact customer service at 1-800-506-9606 or [www.cablestogo.com](http://www.cablestogo.com).

## Important Safety Information

**!** Do not plug the unit in any outlet that does not have enough current to allow the switch to function. Refer to the specifications in this manual for power level of the unit.

**!** Liquid:

If this unit or its corresponding power adapter has had liquid spilled on or in it, do not attempt to use the unit.

Do not attempt to use this product in an outdoor environment as elements such as rain, snow, hail, etc. can damage the product.

**!** In case of a storm, it is recommended that you unplug this device from the outlet.

**!** Avoid placing this product next to objects that produce heat such as portable heaters, space heaters, or heating ducts.

**!** THERE ARE NO USER SERVICEABLE PARTS

Do not attempt to open this product and expose the internal circuitry. If you feel that the product is defective, unplug the unit and refer to the warranty information section of this manual.



### **Disclaimer**

Information in this document is subject to change without notice. The manufacturer does not make any representations or warranties (implied or otherwise) regarding the accuracy and completeness of this document and shall in no event be liable for any loss of profit or any other commercial damage, including but not limited to special, incidental, consequential, or other damages.

No part of this document may be reproduced or transmitted in any form by any means, electronic or mechanical, including photocopying, recording or information recording and retrieval systems without the express written permission of the manufacturer.

All brand names and product names used in this document are trademarks, or registered trademarks of their respective holders.

### **FCC Statement**

This device generates and uses radio frequency and may cause interference to radio and television reception if not installed and used properly. This has been tested and found to comply with the limits of a Class B computing device in accordance with the specifications in Part 15 of the FCC Rules. These specifications are designed to provide reasonable protection against such interference in a residential installation. However, there is no guarantee that interference will not occur in a particular installation. If this device does cause harmful interference to radio or television reception, which can be determined by plugging the device in and out, the user can try to correct the interference by one or more of the following measures:

- Reorient or relocate the receiving antenna.
- Increase the separation between the device and receiver.
- Connect the computer into an outlet on a circuit different from that to which the receiver is connected.
- Consult the dealer or an experienced radio/TV technician for help.

