



**TruLink™**

**VGA over UTP Extender- Remote Unit**  
**USER MANUAL**



**Model #39961**

# Introduction

The TruLink™ VGA over UTP Extender Remote Unit, when used with the Base Unit (part #39959 or #39960), is a robust solution that allows you to extend your VGA signal up to 300 meters (1000 feet) over a Cat5E Unshielded Twisted Pair (UTP) cable and distribute the signal to up to four display devices. This solution is ideal for applications where your VGA monitor needs to be placed further than the average 100 foot VGA cable limitation and you want to split the signal to multiple displays. Driving a VGA signal over Cat5E allows you to take advantage of your UTP cable infrastructure already installed for a cost-effective and reliable installation.

The TruLink VGA over UTP solution is ideal for applications when you need to place your computer in remote location. This is common in digital signage applications typical in retail stores, houses of worship, classrooms, and board rooms where you need video presentation in one room but want the computer to be out of sight and in a safe and secure environment. With the TruLink VGA over UTP Extender, you can place your displays across the room, on another floor, or in another building while your computer remains in a convenient location.

- Extend your analog video signal up to 300 meters (1000 feet)
- Distribute your video signal to up to four monitors, projectors, or other display devices
- Cat5E UTP cabling enables easy and cost effective in-wall installation
- Ideal for digital signage applications in retail stores, houses of worship, classrooms, and board rooms
- Output Connector: HD15 Female
- Input Connector: RJ45 connector joins the Base Unit and the Remote
- Power Supply: DC 12V 600mA
- VGA signal gain and equalization length can be adjusted as necessary to improve picture quality
- **Base Unit required- sold separately**

## Package Contents

- TruLink VGA over UTP Extender- Remote Unit
- DC 12V 600mA Power Adapter
- User Manual

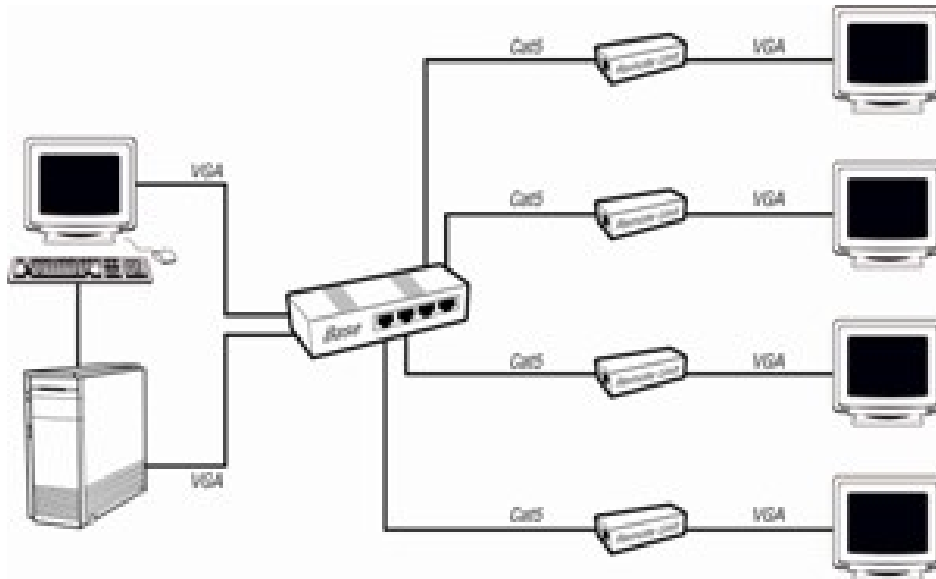
## System Requirements

- Base Unit- Part #39959 or #39960 (sold separately)
- Remote Unit- Part #39961 (included)
- Cat5E UTP Cable
- HD15 connection on computer
- HD15 connection on each monitor, projector, or other display device
- HD 15 male to male cables for the computer and each display device connected

# Installation

1. Turn off the PC and monitor(s).
2. Connect the HD-15 female input connector on the VGA over UTP Extender Base Unit (sold separately) with the HD-15 male to male cable to the PC.
3. At each remote location, connect the HD-15 female output connector on the VGA over UTP Extender Remote Unit with HD-15 male cable from your monitor(s).
4. If you have local monitor, connect the HD-15 male cable from that monitor to the female output connector on the Base Unit.
5. Connect the Base and Remote units together with a CAT5E cable.
6. Connect a power adapter to both the Base and Remote unit.
7. Turn on the monitor(s) and PC.

# Application Diagram



## REAR PORTS

1. VGA Out (HD-15 Female Connector)

## FRONT PORTS

1. Power jack
2. Power LED
3. CAT5 (RJ-45 Connector)

## Specifications

Function	39961
VGA Out Connector	HD-15 Female x 1
RJ-45 Connector	1
Max. Resolution	2048x1536 60Hz
Cable Distance (Max.)	300 meters/1000 feet
Power Adapter (Min.)	DC 12V 600mA
Housing	Metal
Weight (lbs)	.30
Dimensions (LxWxH) inches	3.75x1.5x1.25

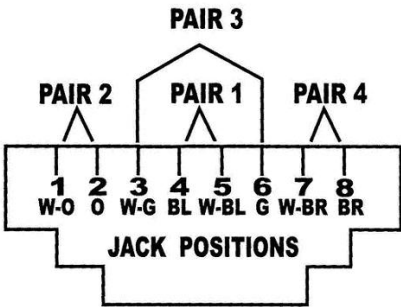
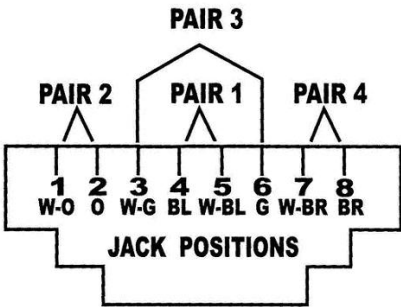
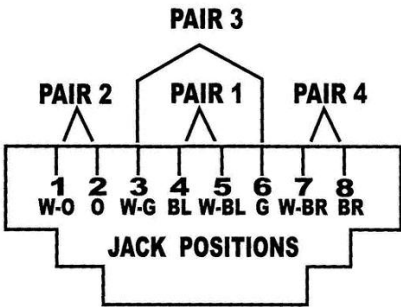
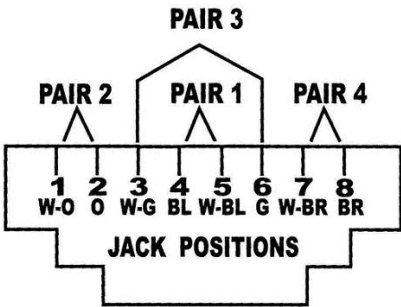
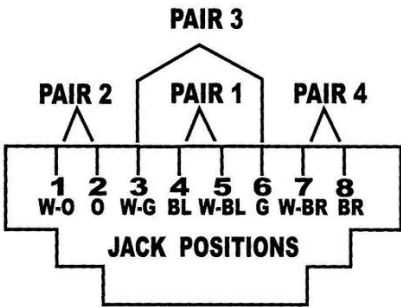
## Distances and Resolutions for CAT5/5E and CAT6

### cables

CAT5/5E	50M	2048x1536
	100M	1280x1024
	180M	1024x768
	200M	800x600
	300M	640x480
CAT6*	30M	1920x1440
	50M	1280x1024
	100M	800x600

\* The optimizations provided by the extender product to compensate for skew in Cat5/5e cables does not apply equally to Cat6. This is the reason for the reduced performance on Cat6 and why Cat5/5e is recommended.

## Wiring Information & Coding

	Conductor Identification	RJ45 Pin Assignment	Color Code for Conductor
	Pair 1	5	White-Blue
		4	Blue
	Pair 2	1	White-Orange
		2	Orange
	Pair 3	3	White-Green
		6	Green
	Pair 4	7	White-Brown
		8	Brown



1501 Webster Street

Dayton, Ohio 45404

[www.cablestogo.com](http://www.cablestogo.com)

