



TruLink™

1 Port VGA over UTP Extender- Base Unit

USER MANUAL



Model #39959

Introduction

The TruLink™ VGA over UTP Extender Base Unit, when used with the Remote Unit (part #39961), is a robust solution that allows you to extend your VGA signal up to 300 meters (1000 feet) over a Cat5E Unshielded Twisted Pair (UTP) cable. This solution is ideal for applications where your VGA monitor needs to be placed further than the average 100 foot VGA cable limitation. Driving a VGA signal over Cat5E allows you to take advantage of your UTP cable infrastructure already installed for a cost-effective and reliable installation.

The TruLink VGA over UTP solution is ideal for applications when you need to place your computer in remote location. This is common in digital signage applications typical in retail stores, houses of worship, classrooms, and board rooms where you need video presentation in one room but want the computer to be out of sight and in a safe and secure environment. With the TruLink VGA over UTP Extender, you can place your display across the room, on another floor, or in another building while your computer remains in a convenient location.

- Extend your analog video signal up to 300 meters (1000 feet)
- Cat5E UTP cabling enables easy and cost effective in-wall installation
- Ideal for digital signage applications in retail stores, houses of worship, classrooms, and board rooms
- Equalization length and VGA signal gain on the Remote Unit is adjustable to enhance picture
- Input/Output Connectors: HD15 Female
- RJ45 connectors join the Base Unit and the Remote
- Power Supply: DC 12V 600mA
- **Remote Unit required- sold separately (part #39961)**

Package Contents

- TruLink VGA over UTP Extender- Base Unit
- DC 12V 600mA Power Adapter
- 1.2 meter VGA Cable
- User Manual

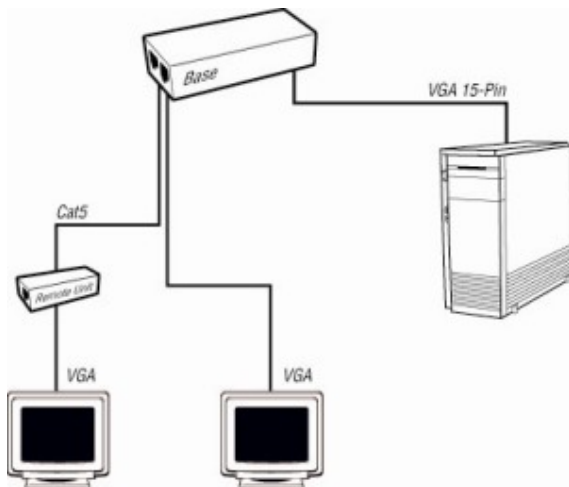
System Requirements

- Base Unit (included)
- Remote Unit- Part #39961 (sold separately)
- Cat5E UTP Cable
- HD15 connection on computer
- HD15 connection on monitor, projector, or other display device
- HD 15 male to male cables for display device connected

Installation

1. Turn off the PC and monitor.
2. Connect the HD-15 female input connector on the VGA over UTP Extender Base Unit with the HD-15 male to male cable to the PC.
3. At the remote location, connect the HD-15 female output connector on the VGA over UTP Extender Remote Unit (sold separately) with HD-15 male cable from your monitor.
4. If you have local monitor, connect the HD-15 male cable from that monitor to the female output connector on the Base Unit.
5. Connect the Base and Remote units together with a CAT5E cable.
6. Connect a power adapter to both the Base and Remote unit.
7. Turn on the monitor(s) and PC.

Application Diagram



REAR PORTS

1. VGA In (HD-15 Female Connector)
2. VGA Out (HD-15 Female Connector)

FRONT PORTS

1. Power jack
2. Power LED
3. CAT.5 (RJ-45 Connector)

Specifications

Function	39959
VGA In Connector	HD-15 Female x 1
VGA Out Connector	HD-15 Female x 1
RJ-45 Connector	1
Max. Resolution	2048x1536 60Hz
Cable Distance (Max.)	300 meters/1000 feet
Power Adapter (Min.)	DC 12V 600mA
Housing	Metal
Weight (lbs)	.55
Dimensions (LxWxH) inches	4.5x3x1.5

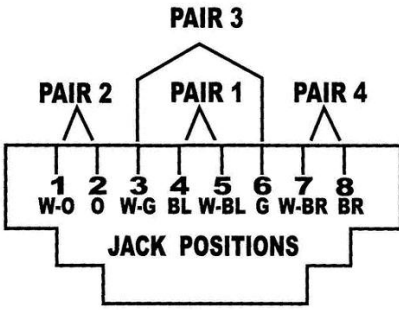
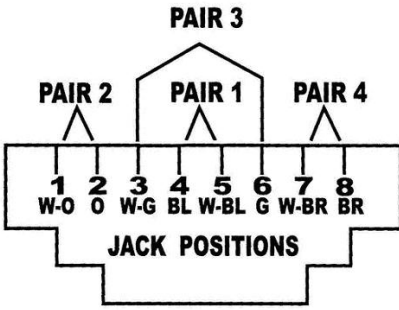
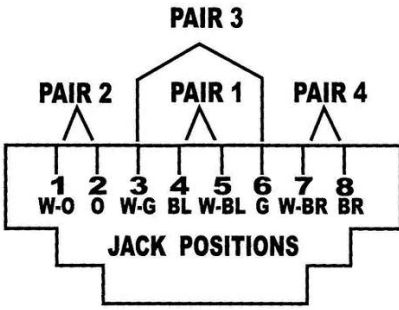
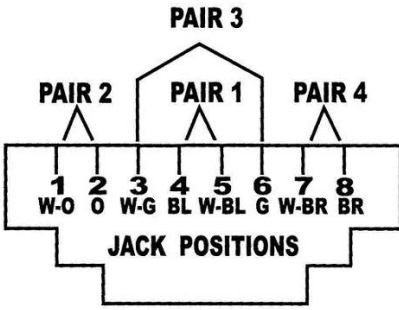
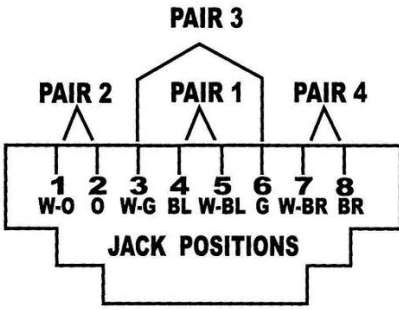
Distances and Resolutions for CAT5/5E/CAT6

cables

CAT5/5E	50M	2048x1536
	100M	1280x1024
	180M	1024x768
	200M	800x600
	300M	640x480
CAT6*	30M	1920x1440
	50M	1280x1024
	100M	800x600

*The optimizations provided by the extender product to compensate for skew in Cat5/5e cables does not apply equally to Cat6. This is the reason for the reduced performance on Cat6 and why Cat5/5e is recommended.

Wiring Information & Coding

	Conductor Identification	RJ45 Pin Assignment	Color Code for Conductor
	Pair 1	5	White-Blue
		4	Blue
	Pair 2	1	White-Orange
		2	Orange
	Pair 3	3	White-Green
		6	Green
	Pair 4	7	White-Brown
		8	Brown



1501 Webster Street

Dayton, Ohio 45404

www.cablestogo.com

