

Patch Panel Module

Description:

The Patch Panel Module provides network interface for local area network applications such as ISDN or DSL services, and supports Category 5e performance. This module has four/eight 4-pair 110 punch-down connectors, and each of them connects to an individual RJ-45 jack. This module supports the bridged distribution of any combination of up to four/eight telephone lines and/or digital service lines such as DSL or ISDN to eight locations. The 10/100Base-T Ethernet Hub can be linked using RJ-45 jack for high-speed network application. This installation instruction is applied to 4-port and 8-port Patch Panel Modules.

Installation: (see Fig. 1)

To install the module, simply insert tabs to the cap located on the rail of the enclosure. Press the fastener to lock the module at the desired position.

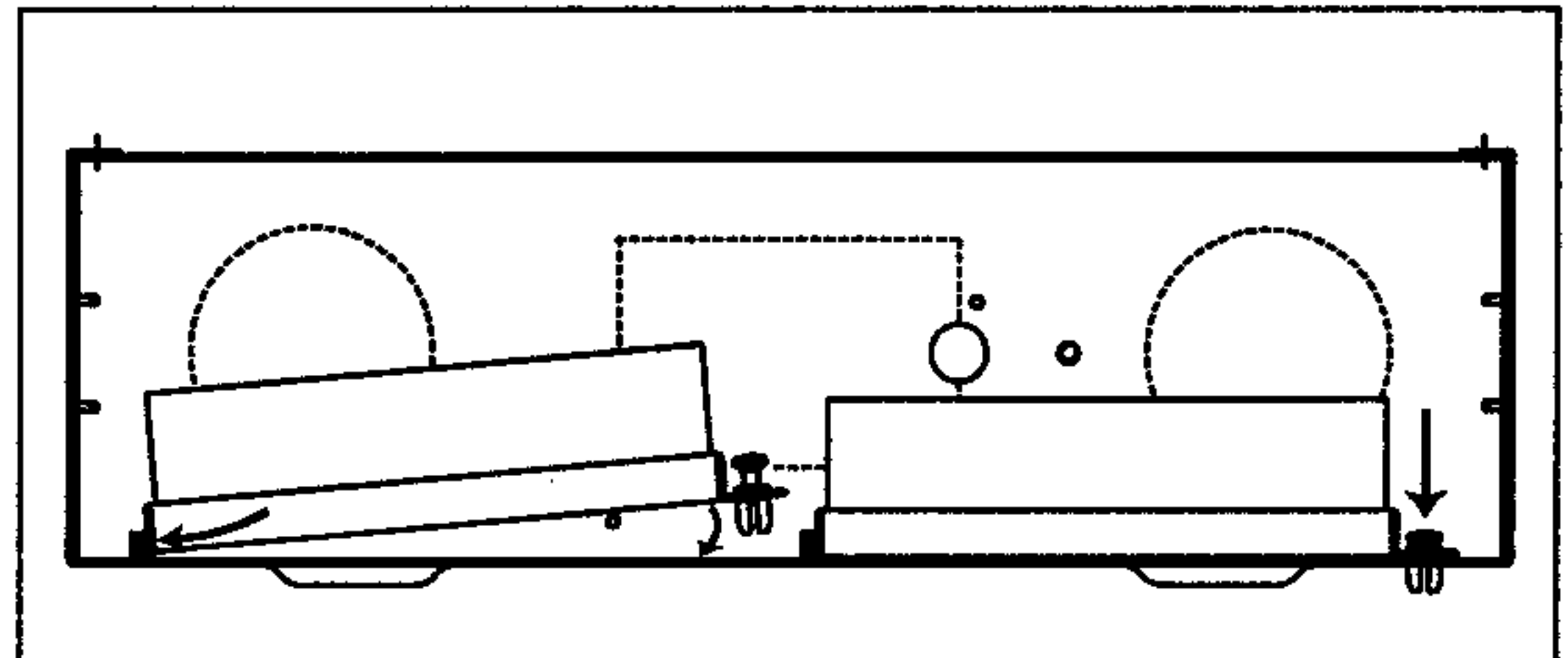


Fig.1

Operation: (see Fig. 2)

Terminate the cables on the 4-pair 110 connectors of this data distribution module. Each Category 5e cable should be fully terminated on the contact blades. This module supports TIA T568A wiring standard and is capable of connecting 6 Category 5e cables. Identify which port you want to activate and connect one end of a patch cord to the corresponding jack and the other end to the Ethernet Hub.

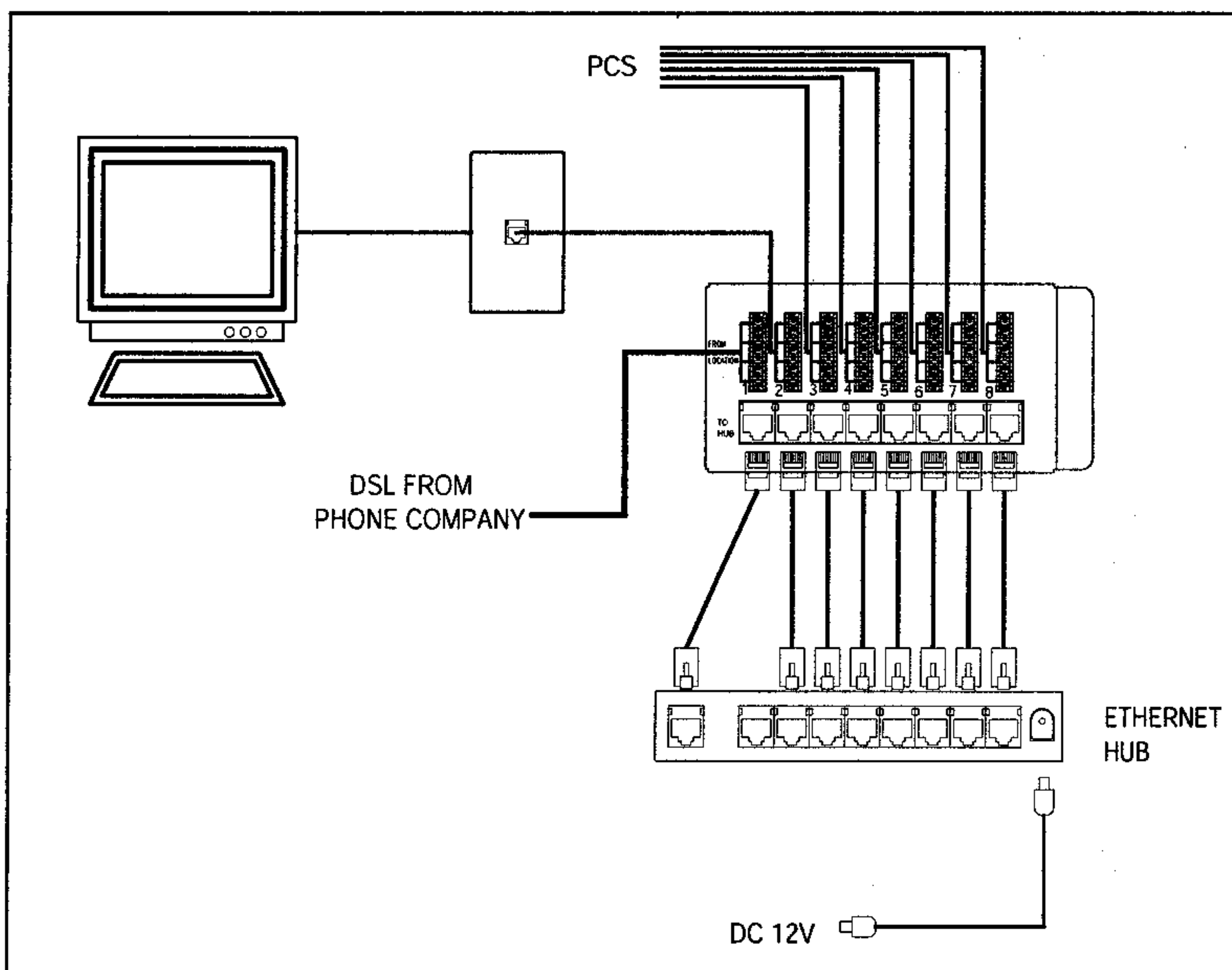
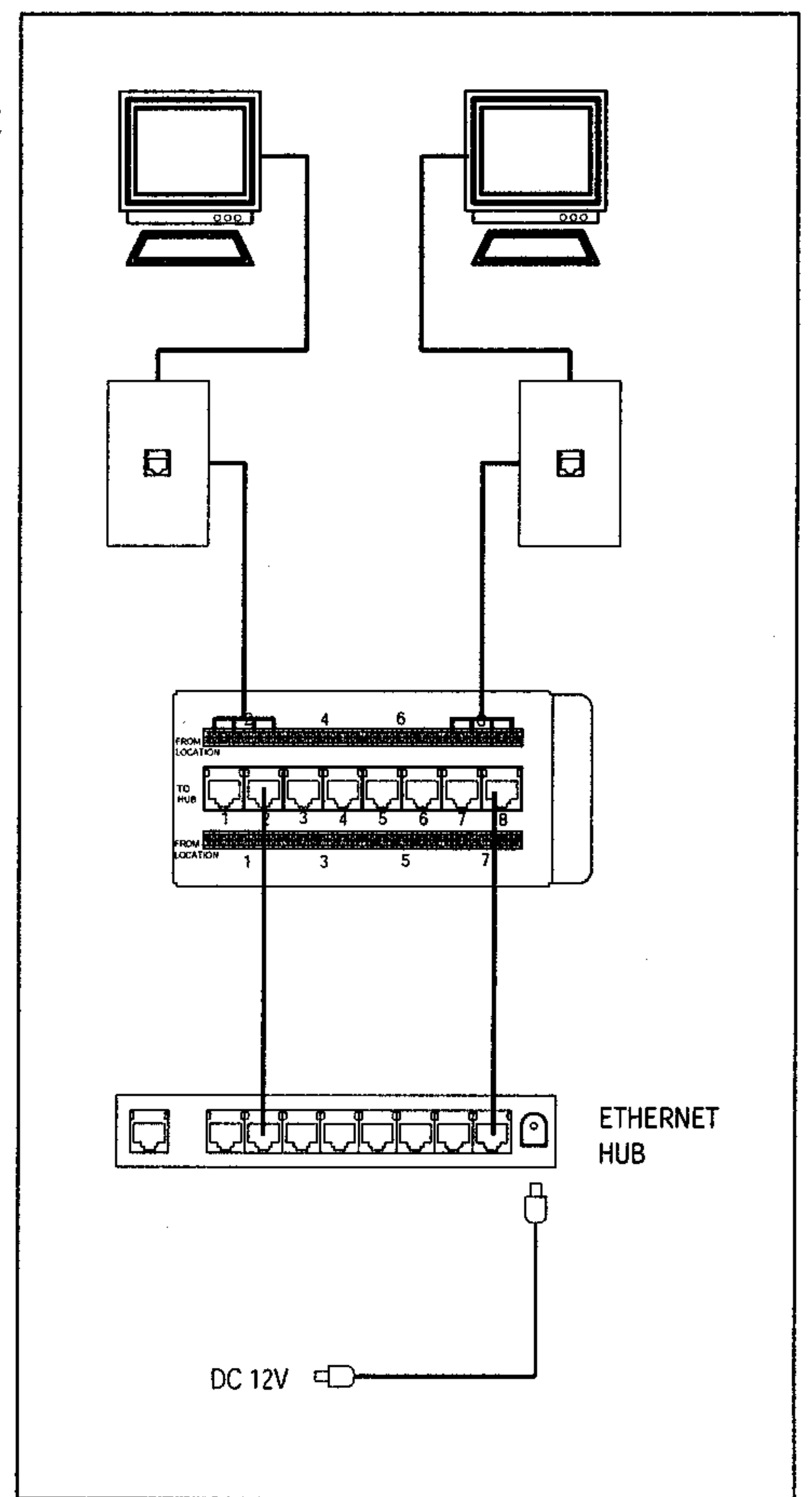


Fig.2



Wire installation:

For 110 connector, follow the wire color-code and use the 110 punch-down tool only to push the wire between the contact blades (see Fig. 3). For RJ45 jack, follow the TIA T568A standard for wiring instruction (see Fig. 4).

Wiring a 110 connector

1. Strip 2" of cable jacket.
2. Untwist about 0.5" wire and keep jack close to 110 connector.
3. According to the color code, only use a 110 punch down tool to push the wire between the contact blades. Or wire may be damaged when using other tools.

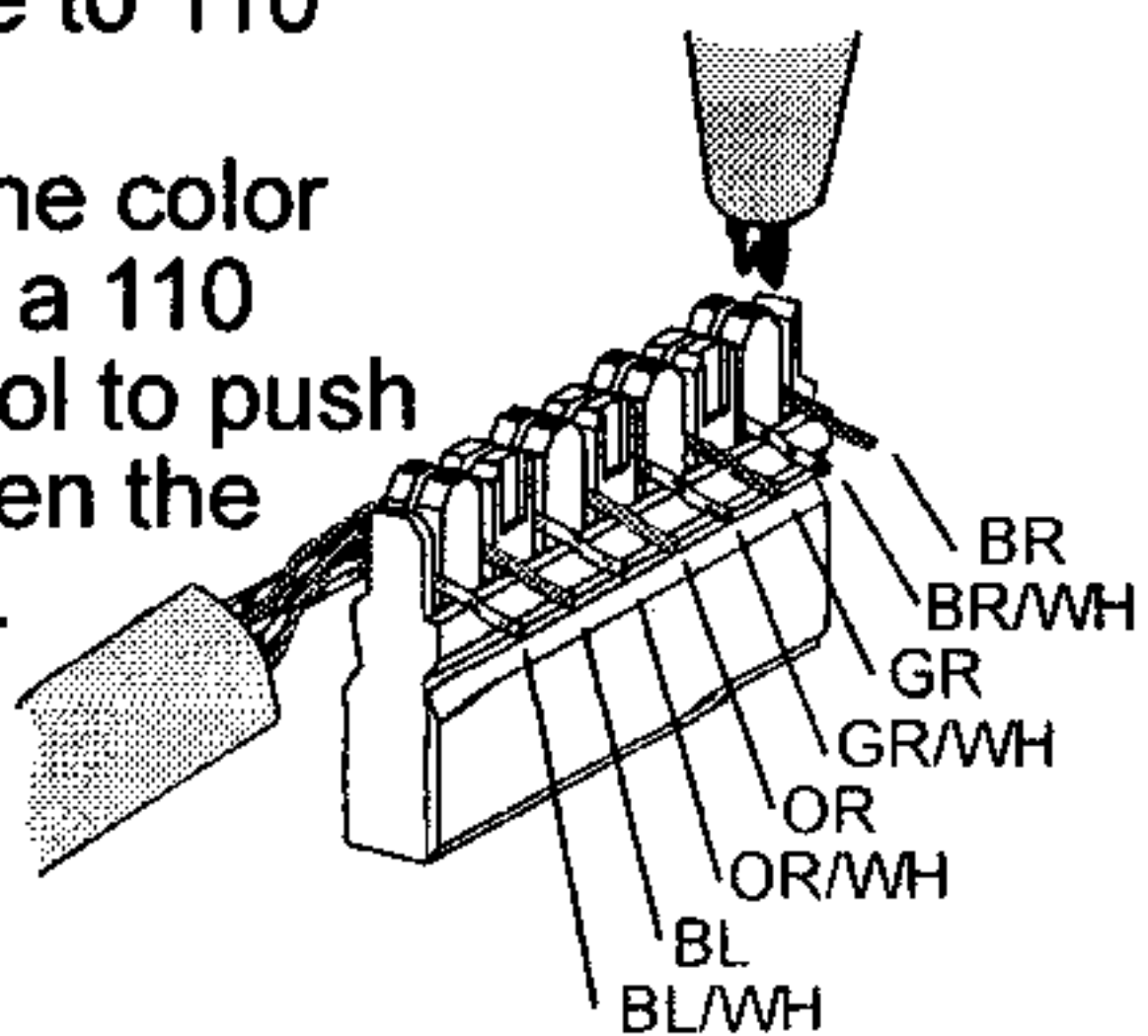


Fig 3

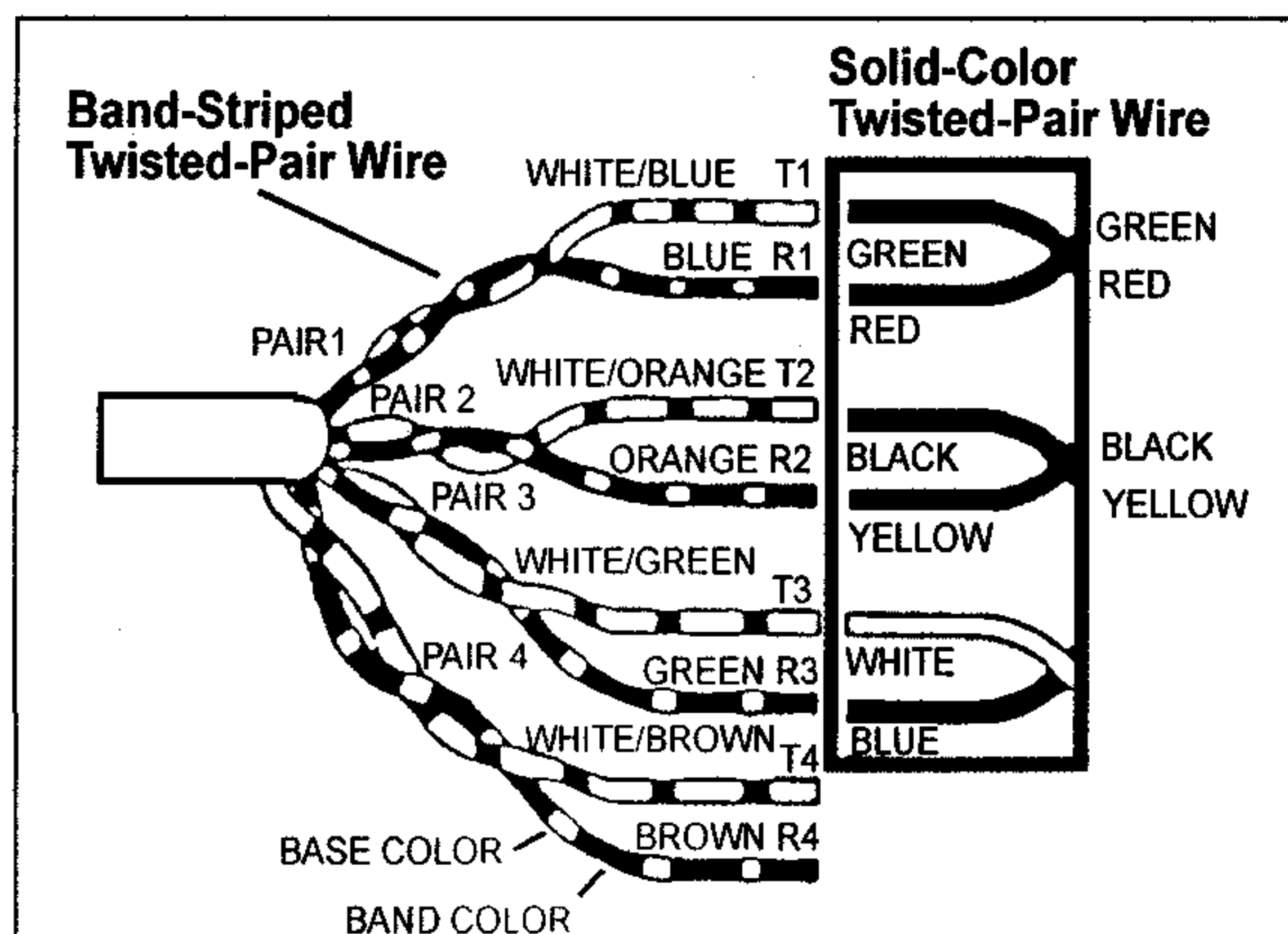


Fig 4

RJ-45 Jacks

Phone and data lines are wired according to the TIA T568A standard

