

# 8-Port Telecom Distribution Module with DSL Phone Filter

## Description:

The Telecom Distribution Module with built-in DSL Phone Filter minimizes voice band interference and provides telephone distribution throughout the home or small office. The 110 IDC connectors support the bridged distribution of any combination of four or fewer analog telephone lines to up to eight locations.

## Installation: (see Fig. 1)

To install the module, simply insert tabs to the cap located on the rail of the enclosure. Press the fastener to lock the module at the desired position.

## Operation: (see Fig. 2)

### Connect DSL Modem

The Line #1 is designed to accept digital subscriber line. And a DSL phone filter is added between the 110 IDC connectors and the DSL jack to isolate the POTS instruments from the high DSL modem frequencies. It is used to improve the data transmission throughput and minimize the background noise during a telephone conversation. Route the incoming DSL line to "LINE IN #1" (Blue color) and use a RJ11 jack to connect to DSL modem.

### Connect the Incoming Phone Line

The Telecom Distribution Module has a 110 IDC connector labeled "FROM SOURCE" used to support four incoming phone lines from telephone service provider. The other eight 110 IDC connectors are used to distribute telephone lines to eight locations. The connectors are lined in parallel such that the incoming telephone lines will be bridged to all other connectors on this module. Punch down twisted pairs depending on which line is desired to activate at each location. Note - Line#1 = Blue, Line#2 = Orange, Line#3 = Green, Line#4 = Brown.

Example: each 110 IDC represents one area; if you want to activate line #1 at Location #1, simply punch down the twisted pair (Blue/White Blue) to the first IDC labeled "1". If you want to use a 2-line phone (Line#1 & Line#2) at Location #1, punch down twisted pairs (Blue/White Blue & Orange/White Orange) to the first IDC to support 2-line phone. Note - Normally there is only one twisted pair of CAT5e cable connects to each IDC connector.

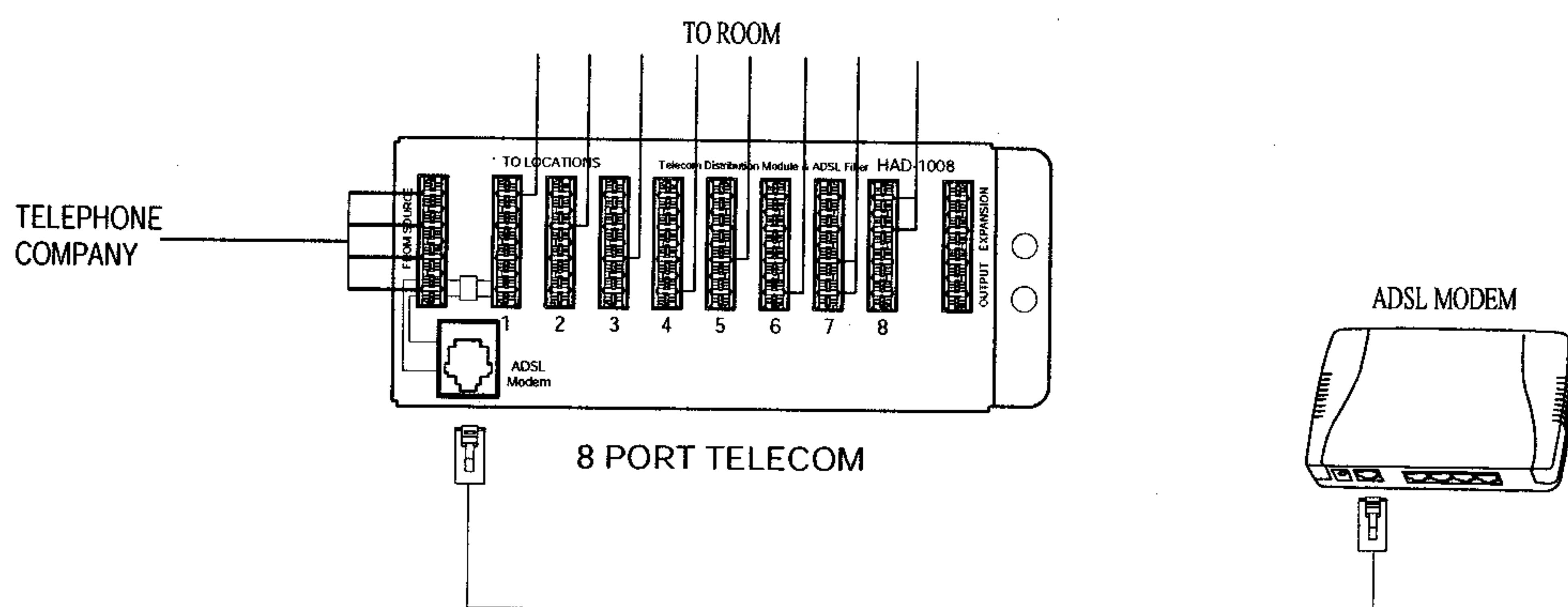


Fig.2

## Wire installation:

For 110 connector, follow the wire color-code and use the 110 punch-down tool only to push the wire between the contact blades (see Fig. 3). For RJ45 jack, follow the TIA T568A standard for wiring instruction (see Fig. 4).

### Wiring a 110 connector

1. Strip 2" of cable jacket.
2. Untwist about 0.5" wire and keep jack close to 110 connector.
3. According to the color code, only use a 110 punch down tool to push the wire between the contact blades. Or wire may be damaged when using other tools.

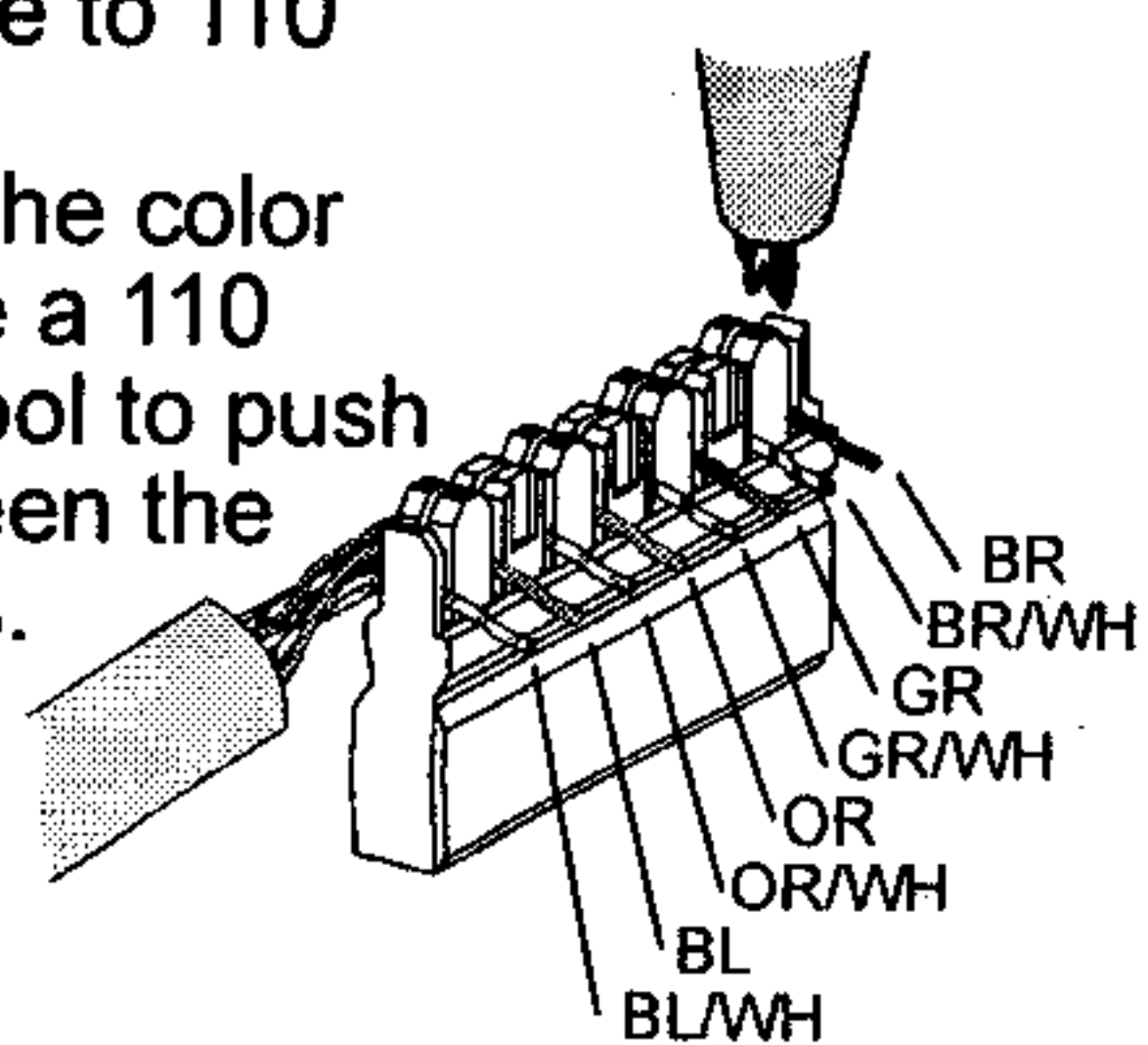


Fig.3

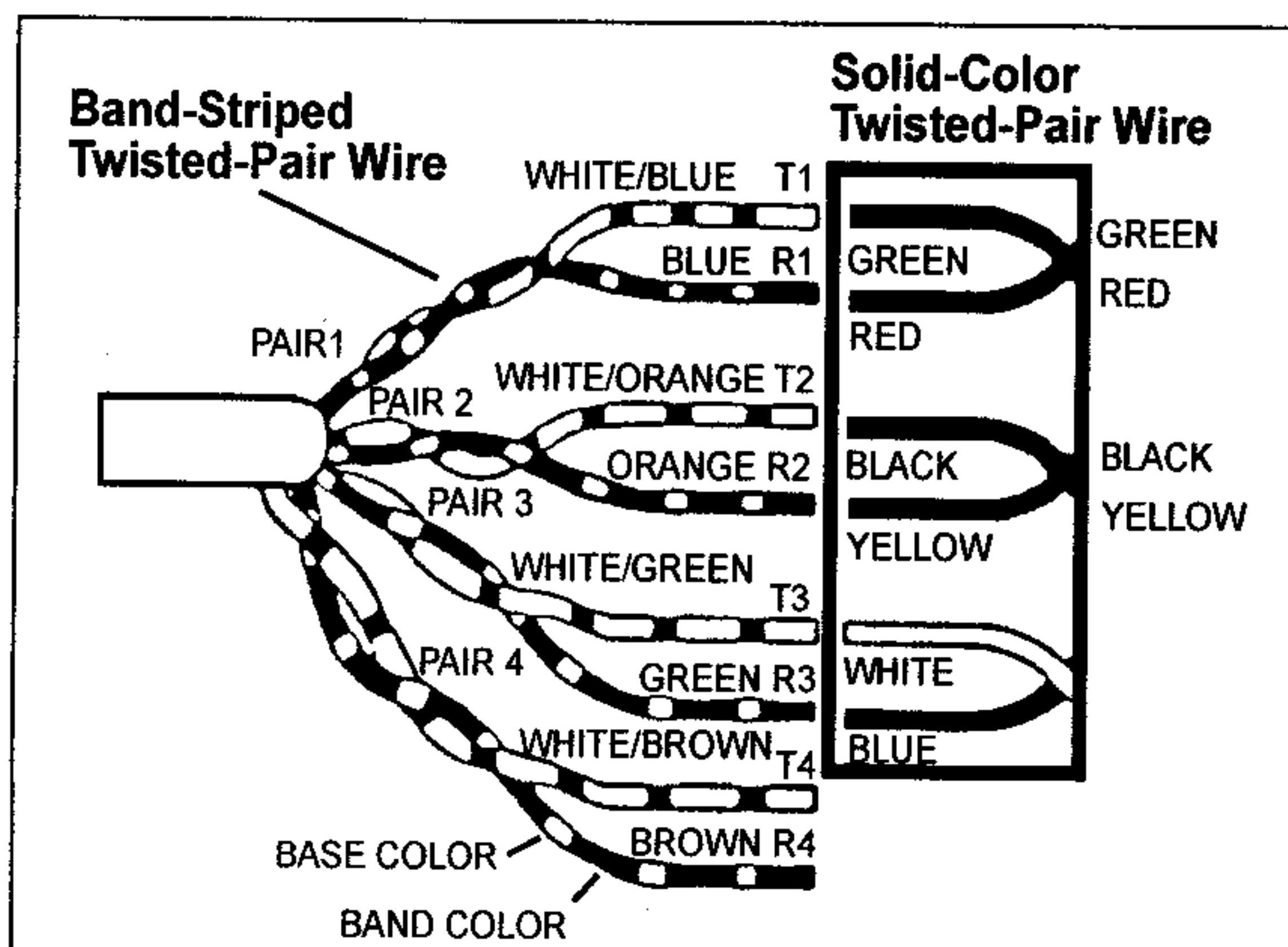


Fig.4

### RJ-45 Jacks

Phone and data lines are wired according to the TIA T568A standard

