

12-Port Telecom Distribution Module

Description:

The Telecom Distribution Module is an expansion component used to add additional telephone distribution capability throughout the home or office. This module supports the bridged distribution of any combination of four or fewer analog telephone lines to up to twelve locations.

Installation: (see Fig. 1)

To install the module, simply insert tabs to the cap located on the rail of the enclosure. Press the fastener to lock the module at the desired position.

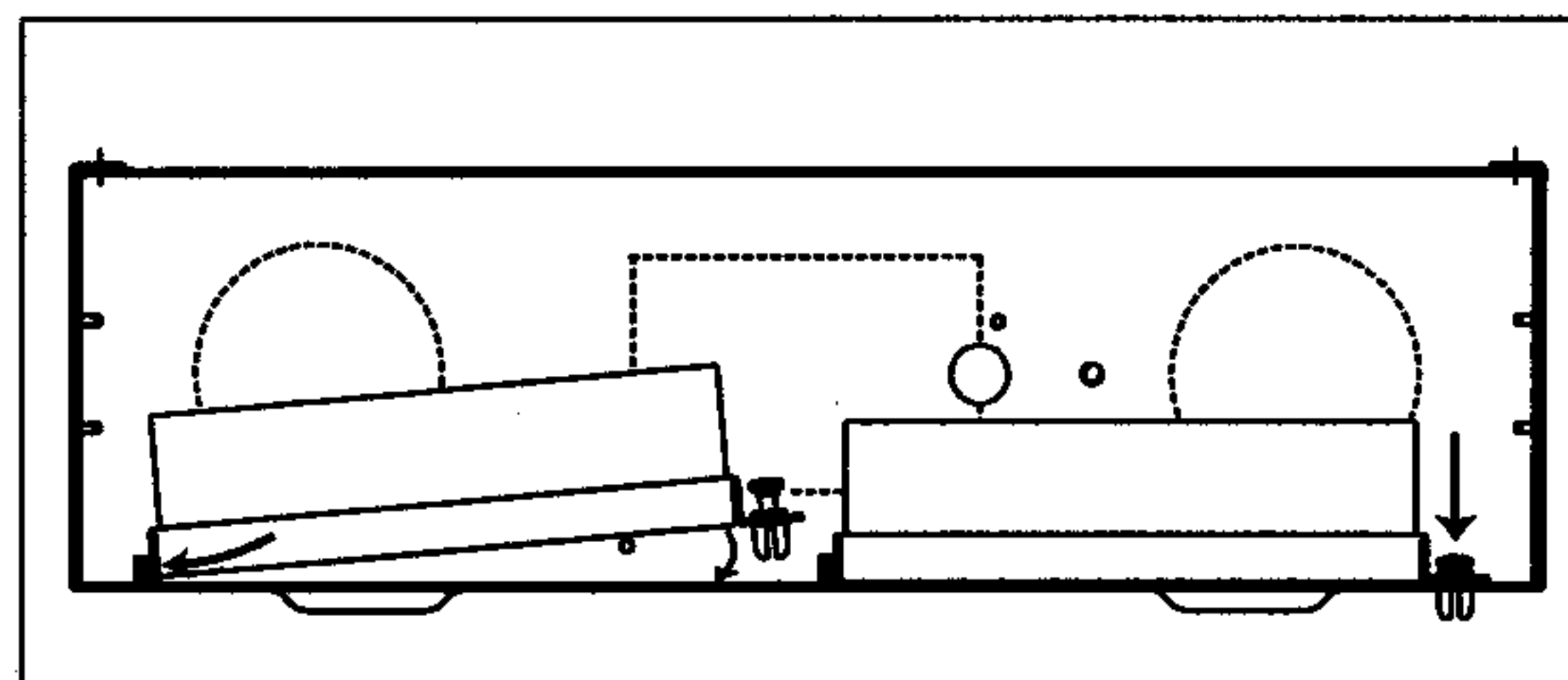


Fig.1

Operation: (see Fig. 2)

Connect the incoming phone line

Connect the incoming phone line from telephone company to 110 IDC connector labeled "FROM SOURCE". The connectors are wired in parallel such that the incoming telephone lines will be bridged to all other connectors on this module. Identify twisted pairs coming from each location and route to IDC connectors. Punch down twisted pairs depending on which line is desired to activate at each location. Note - Line#1 = Blue pair, Line#2 = Orange pair, Line#3 = Green pair, Line#4 = Brown pair.

Example: each 110 IDC connector represents one area; if you want to activate line #1 at Location #1, simply punch down the twisted pair (Blue/White Blue) to the first 110 IDC connector. If you want to use a 2-line phone (Line#1 & Line#2) at Location #1, punch down twisted pairs (Blue/White Blue & Orange/White Orange) to the first 110 IDC connector to support 2-line phone. Note - Normally there is only one twisted pair connected to one IDC connector.

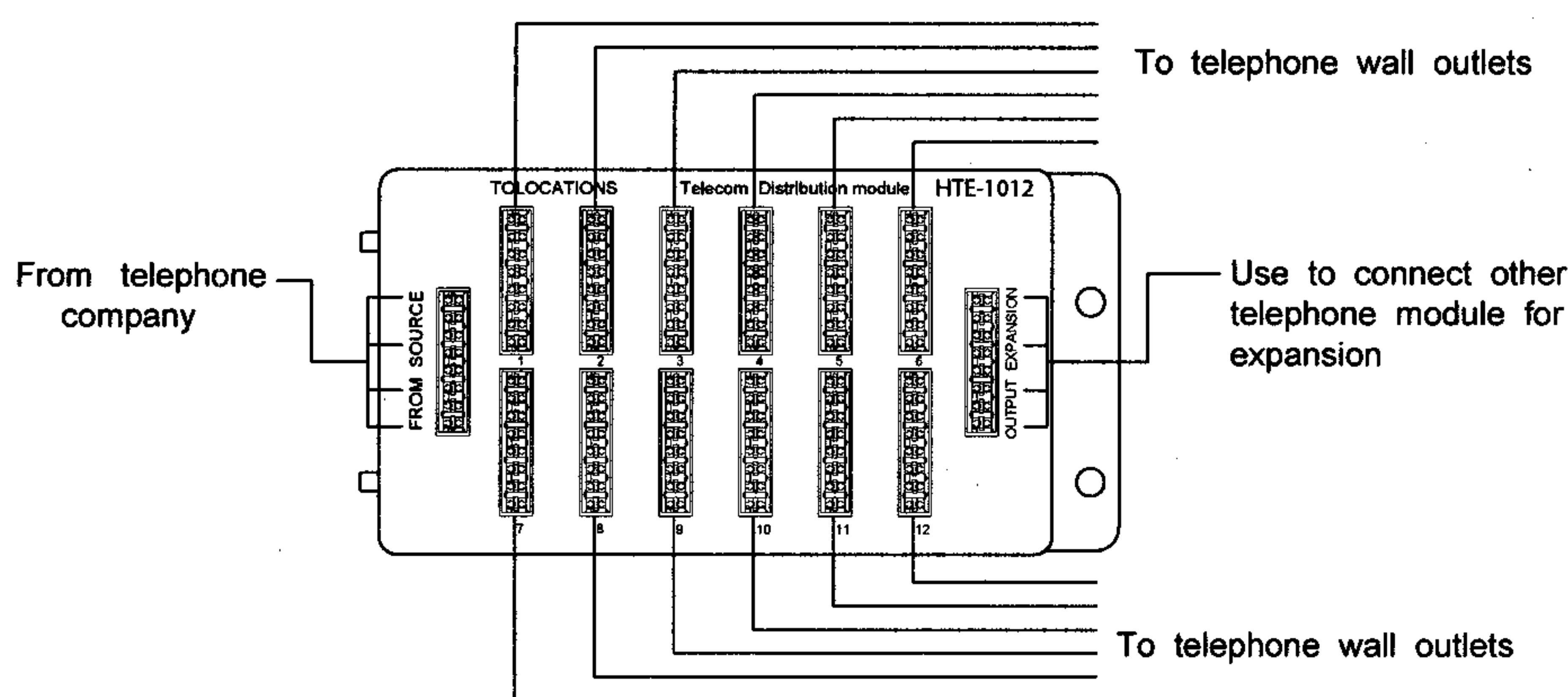


Fig.2

Wire installation:

For 110 connector, follow the wire color-code and use the 110 punch-down tool only to push the wire between the contact blades (see Fig. 3). For RJ45 jack, follow the TIA T568A standard for wiring instruction (see Fig. 4).

Wiring a 110 connector

1. Strip 2" of cable jacket.
2. Untwist about 0.5" wire and keep jack close to 110 connector.
3. According to the color code, only use a 110 punch down tool to push the wire between the contact blades. Or wire may be damaged when using other tools.

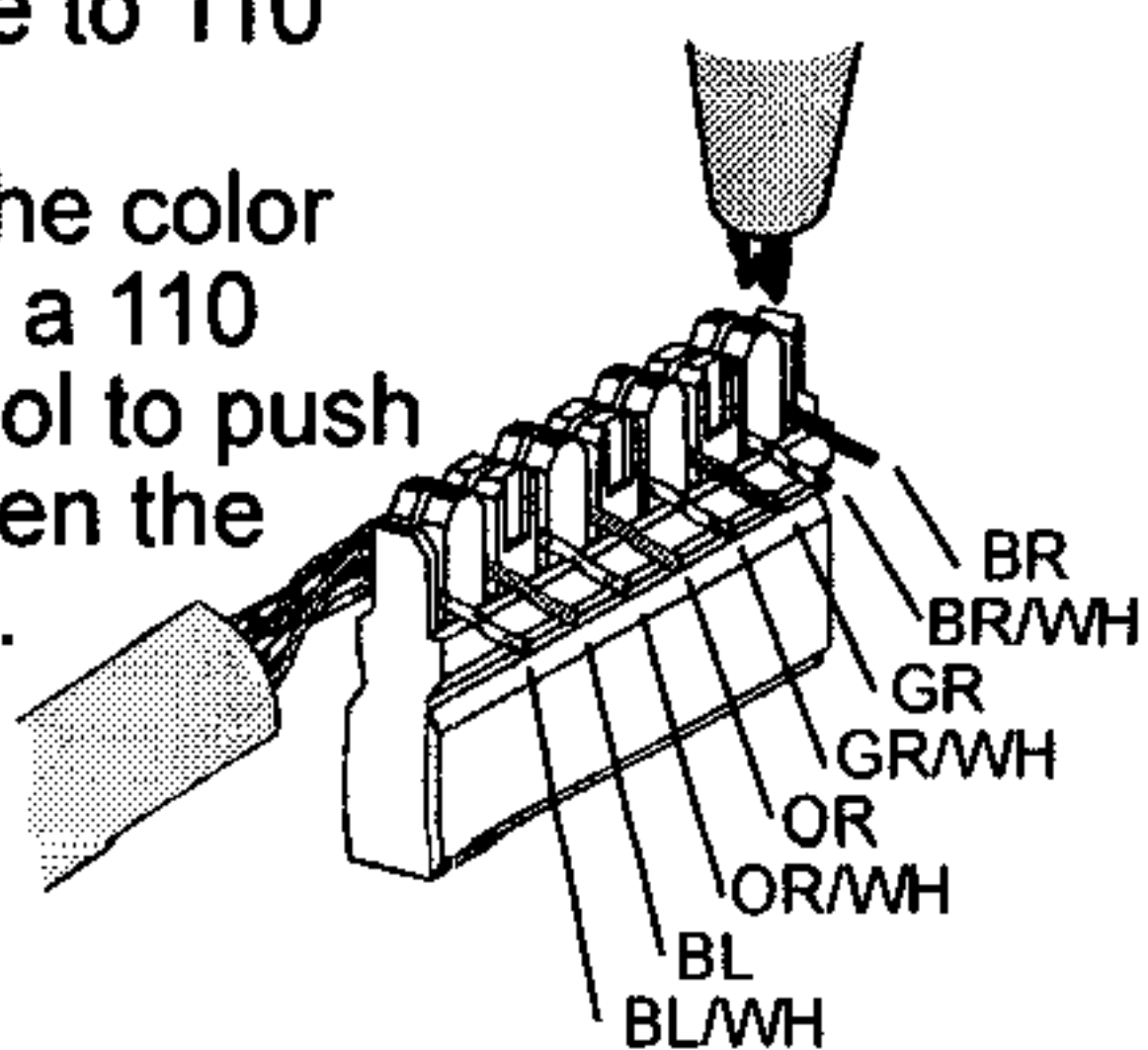


Fig.3

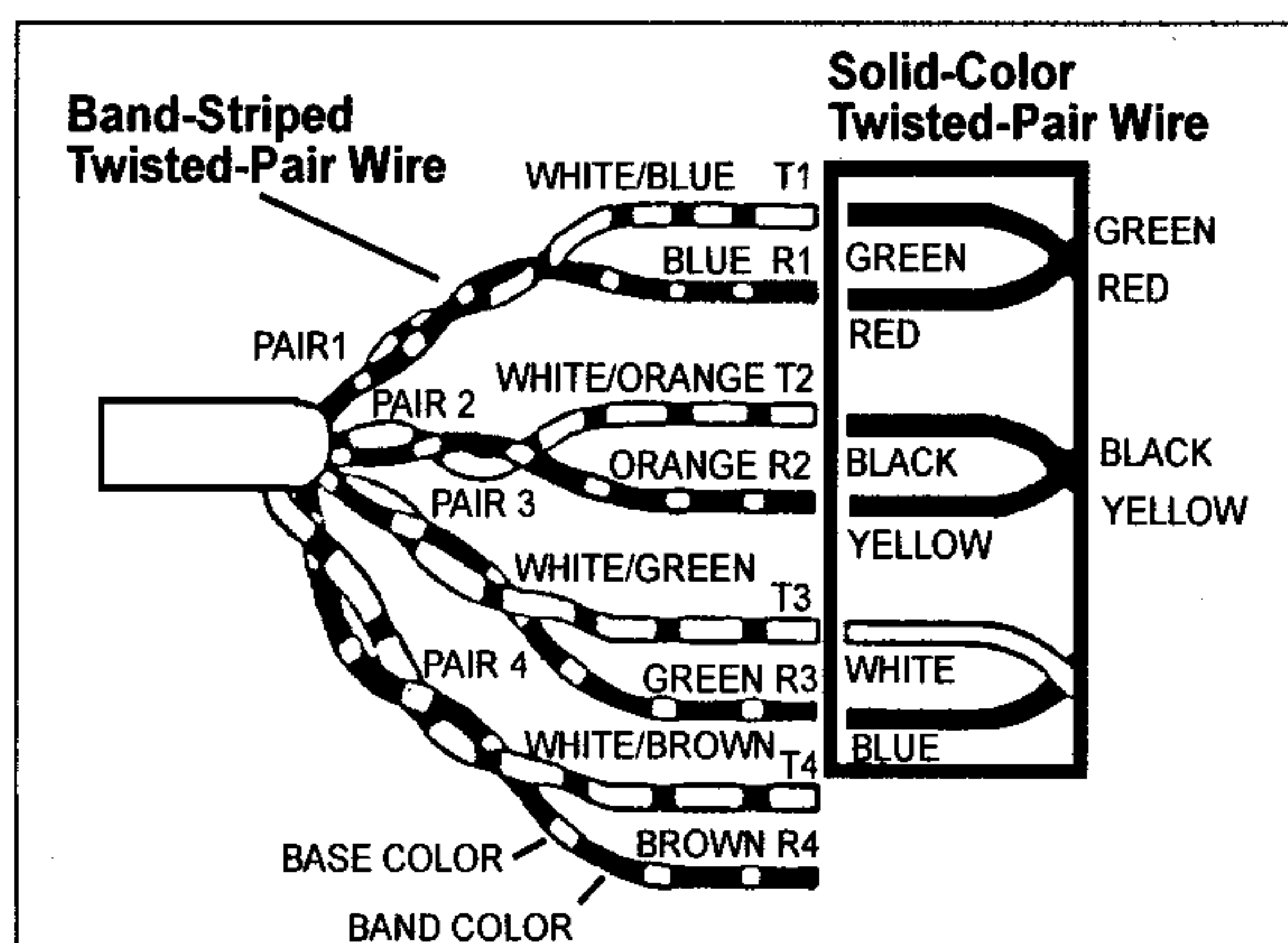


Fig.4

RJ-45 Jacks

Phone and data lines are wired according to the TIA T568A standard

