

H700 Series Enclosure

Mounting the bracket: (see Fig. 1)

Using mounting holes provided in the back of the unit for surface mounting.

Note - Be sure to leave enough space both on the top and bottom of the unit for wire routing and the "UP" arrow should face to the top.

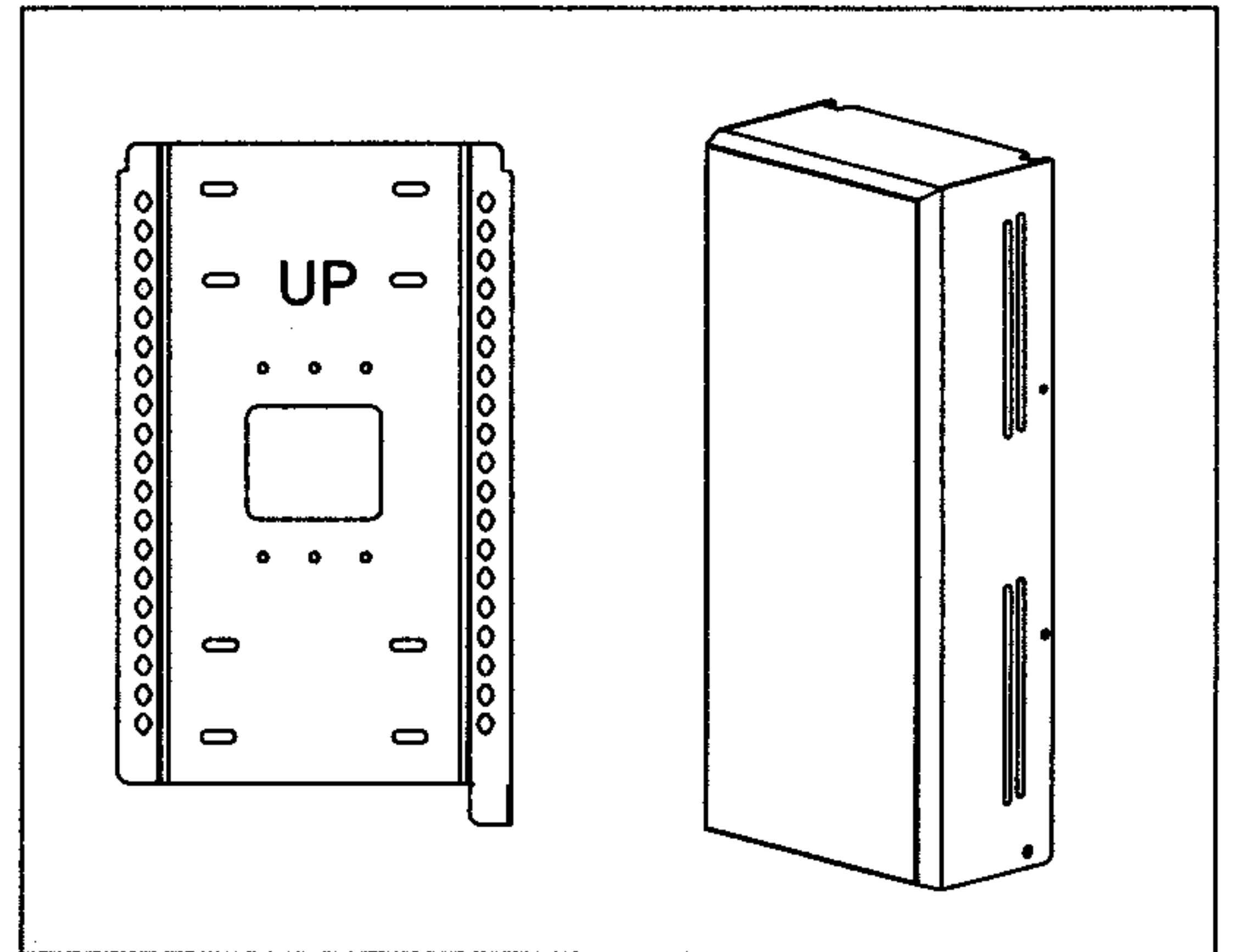


Fig. 1

Installing the cover: (see Fig. 2)

1. Push the cover to attach to the back panel.
2. Slide it down to hook on the back panel.
3. Screw it to secure the cover.

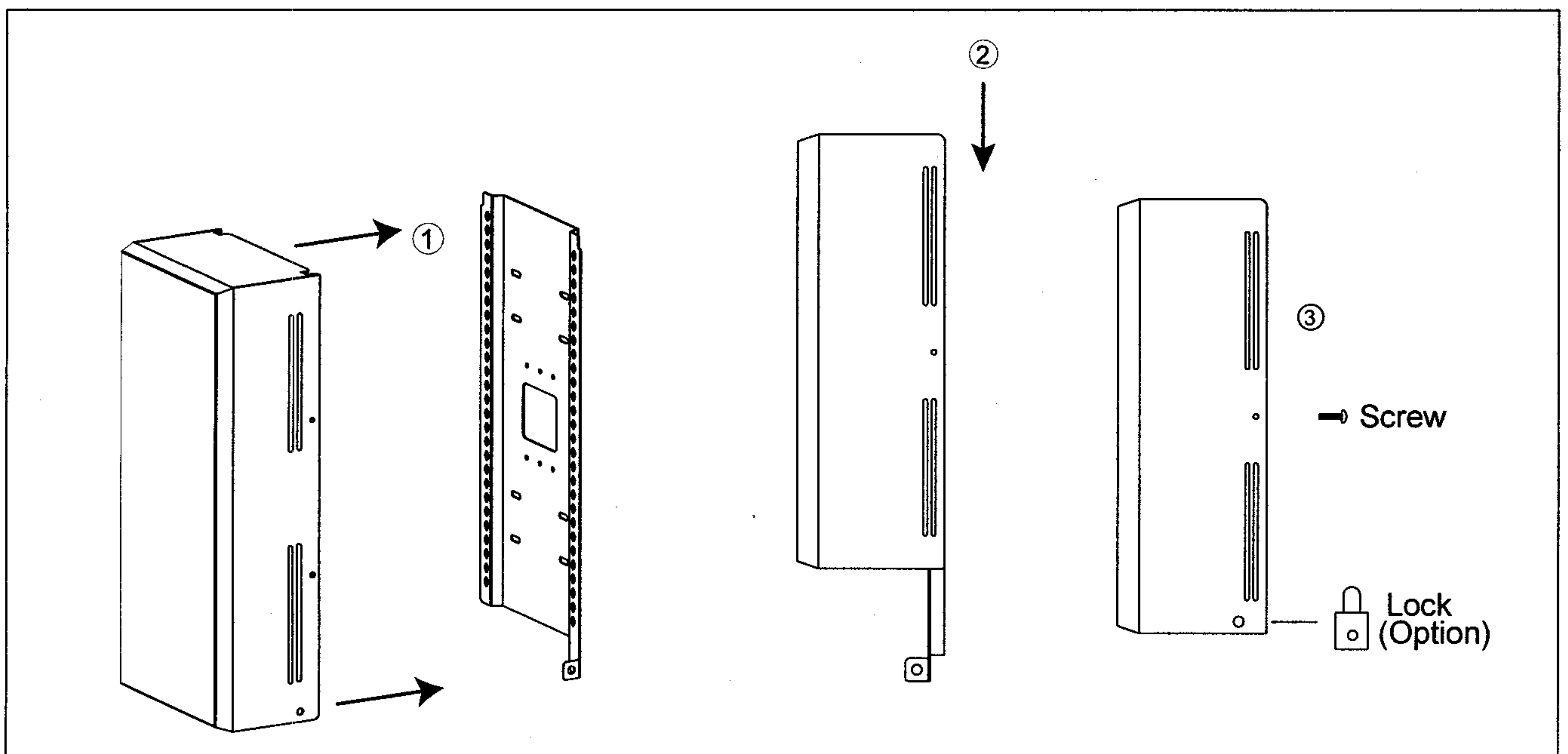


Fig. 2

Removing the cover:

1. Unscrew the cover.
2. Simply push it up to unhook the cover, and pull it off.

Module Installation: (see Fig. 3)

There are many kinds of modules available to build up the HWS. To install the module, simply insert tabs to the cap located on the rail of the enclosure. Press the fastener to lock the module at the desired position.

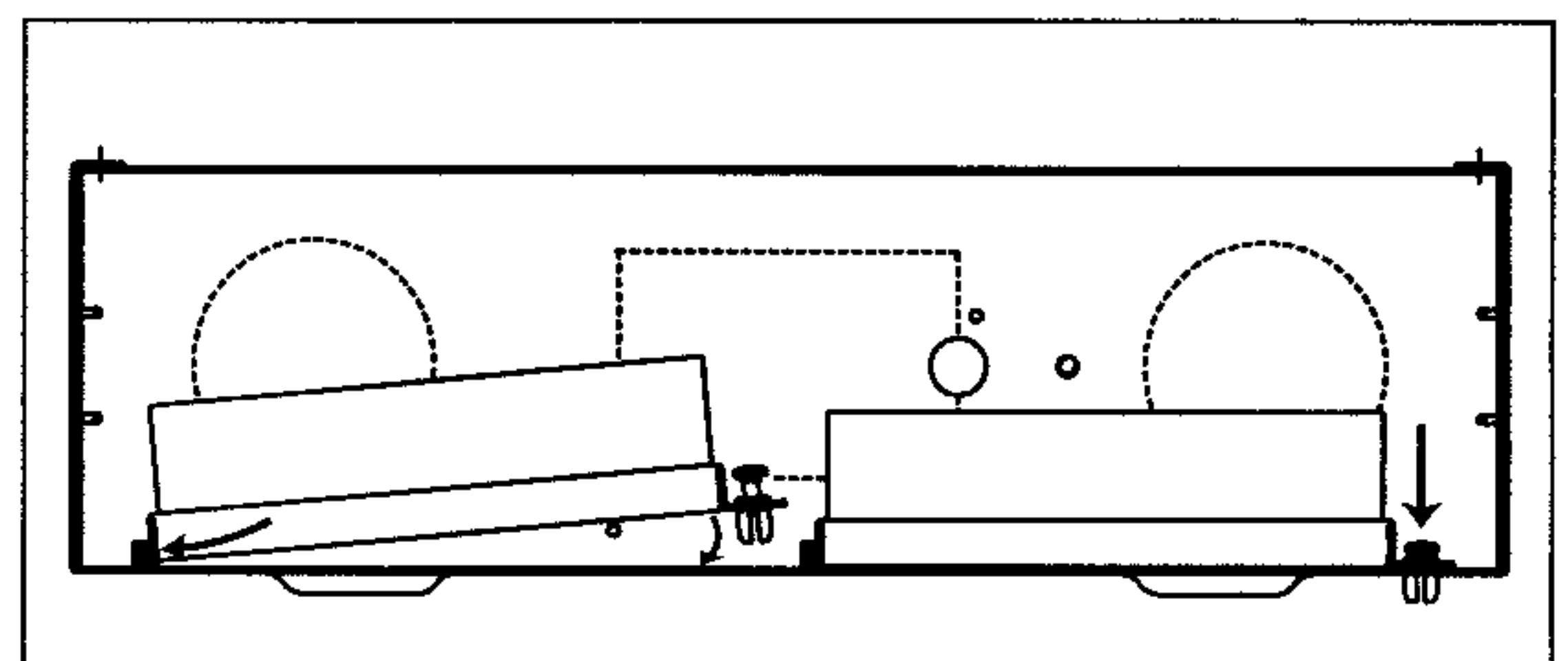


Fig. 3