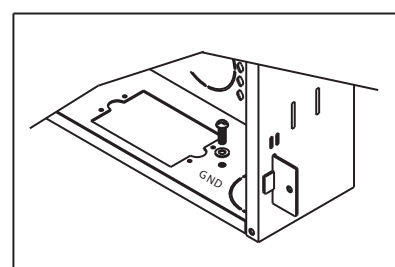
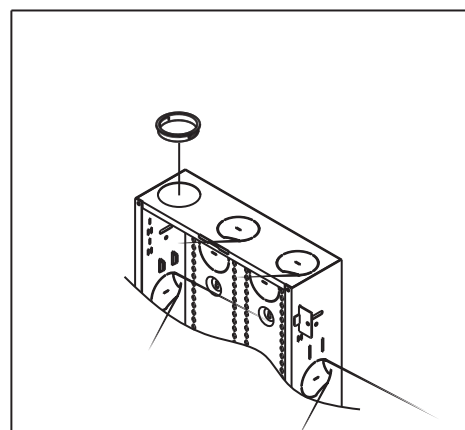
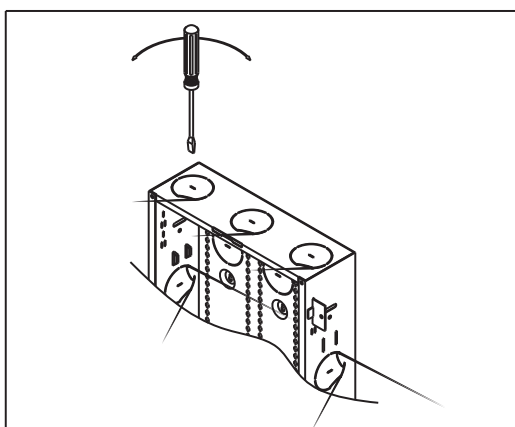
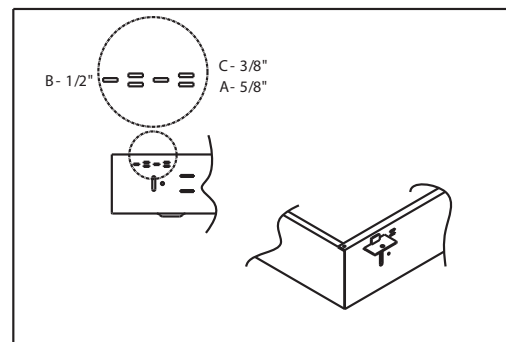
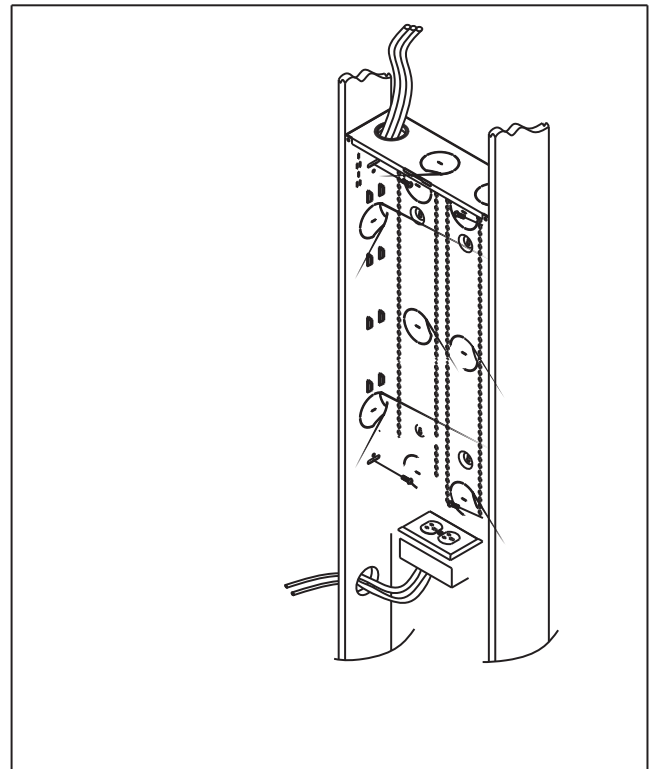


Mounting the enclosure: (see Fig. 1)

1. Using the mounting tabs or side slots to mount the enclosure between the studs, or using mounting holes provided in the back of the unit for surface mounting. Note - Be sure to leave enough space both on the top and bottom of the unit for wire routing and the "UP" arrow should face to the top.
2. When using the side slots, position the enclosure with the front to protrude beyond the wallboard surface, which will match the finished wall. Mark the center of the mounting slots, this allows for further adjustment to match the finished wall. Drill pilot holes and install the enclosure with wood screws. When using the mounting tabs, select the proper holes (A-5/8", B-1/2" or C-3/8") for wallboard. When using the mounting holes, attach the unit to the wall with screw anchors recommended to support the weight of the enclosure and variety of modules.

Remove the knockouts for wiring: (see Fig. 2)

Remove the knockouts which can be found on the top, bottom, sides and back of the enclosure as needed for wiring. Insert a screwdriver into the slot and bend to break the knockout. Insert the plastic grommets in the opening to protect cables from being damaged.



Installing the cover: (see Fig. 4)

Hook the cover on the enclosure then screw it via mounting holes on the cover.

Wire ties: (see Fig. 5)

Using the provided wire ties to group and attach the wires at the side grids of the enclosure.

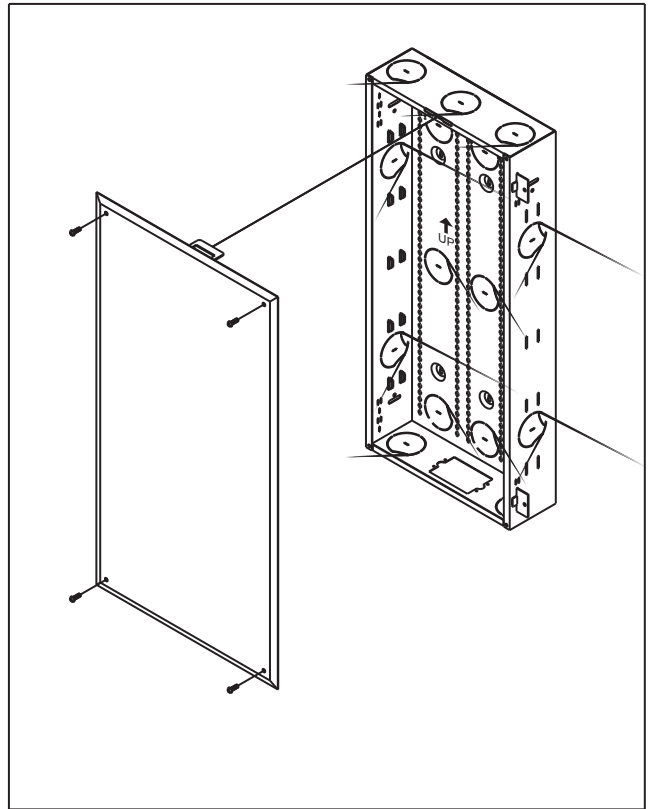


Fig. 4

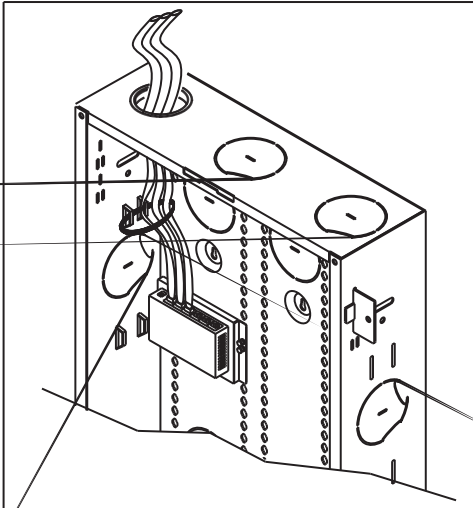


Fig. 5

Module Installation: (see Fig. 6)

There are many kinds of modules available to build up the HWS. To install the module, simply insert tabs to the cap located on the rail of the enclosure. Press the fastener to lock the module at the desired position. For easily wire routing, 1.5" interval and 2" interval is recommended for data/voice modules and video modules respectively.

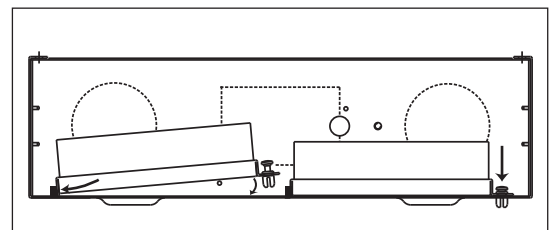
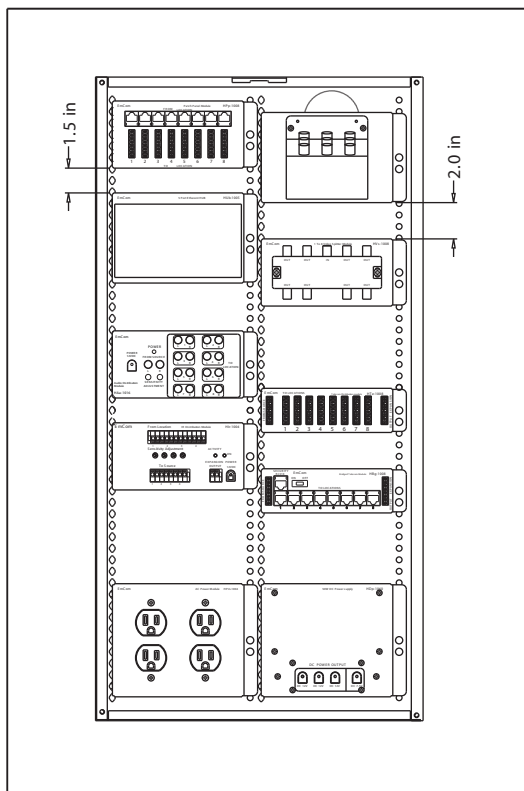


Fig. 6