



USER GUIDE

1-PORT 60 GHZ WIRELESSHD KIT

Model: 29670

TABLE OF CONTENTS

Introduction.....	2
Features.....	3
Package Contents.....	4
Device Overview.....	5
Device Installation.....	8
Troubleshooting.....	11
Technical Specifications.....	12
FCC Statement.....	15
Cables To Go Warranty.....	16
Important Safety Information.....	17

INTRODUCTION

Thank you for purchasing the TruLink™ 1-Port 60 GHz WirelessHD Kit. The TruLink™ 1-Port 60 GHz WirelessHD Kit enables high definition wireless transmission between your television and your HDMI components. Enjoy full HD 1080p signal from your computer, Blu-ray player, set-top box, gaming console or other HDMI device to your HDMI enabled television. The 60 GHz transmission capability means greater flexibility in your home theater setup by allowing you to place the components up to 33 feet apart or possibly more depending on the environment*.

The TruLink 1-Port 60 GHz WirelessHD Kit is ideal for situations where in-wall cabling is either not feasible (such as in plaster, brick or exterior walls) or not desired (such as in apartments or other rental properties). By offering true uncompressed A/V transmission, the TruLink WirelessHD kit is a quick, convenient and reliable cable replacement. This plug-and-play solution requires no software, no drivers and no setup – simply connect the receiver with the HDMI component and instantly transmit content to your television. **We recommend that you read this manual thoroughly and retain for future reference.**

**Although performance characteristics may exceed stated distance limitations depending on the environment they are in, the following best practices are recommended to ensure optimal results.*

The transmitter and receiver should:


- *Face each other within the same room.*
- *Be located within 33 feet each other.*
- *Be placed at the same level, i.e. the transmitter should not be placed higher than the receiver.*
- *Be located in open spaces, i.e. not in a cabinet or enclosed shelf.*

FEATURES

CONVENIENT

- ❖ Supports wireless transmission up to 33ft/10M in-room (longer distances may be supported depending on the environment)*
- ❖ Plug-and-play solution means no drivers, software, or setup required
- ❖ Auto Power function will automatically turn off the attached component when the transmitter is turned off
- ❖ Transmitter and receiver each have on/off switch to conserve power when not in use
- ❖ Transmitter and receiver are wall-mountable*

RELIABLE

- ❖ WirelessHD 1.0 certified
- ❖ Meets Digital Transmission Content Protection (DTCP) protocol
- ❖ Compatible with other WiHD enabled consumer electronics bearing the  logo
- ❖ HDMI 1.3 compatible
- ❖ FCC and CE approvals

HIGH PERFORMANCE

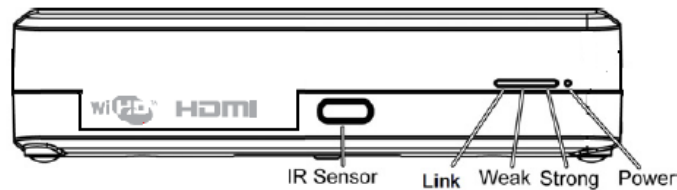
- ❖ 36 antenna array provides a strong wireless signal
- ❖ Data transfer rates of up to 4 Gbps
- ❖ Supports true uncompressed 1080p@60Hz resolutions
- ❖ Supports 7.1 channel surround sound

PACKAGE CONTENTS

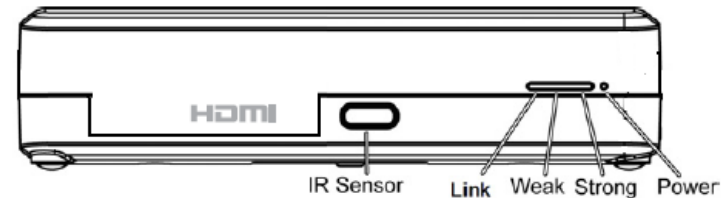
- ❖ (1) 60GHz WirelessHD Transmitting Unit
- ❖ (1) 60GHz WirelessHD Receiving Unit
- ❖ (2) HDMI Cables
- ❖ (2) Power Adapters
- ❖ Remote Control
- ❖ Mounting Bracket
- ❖ User Guide

DEVICE OVERVIEW

TRANSMITTER UNIT



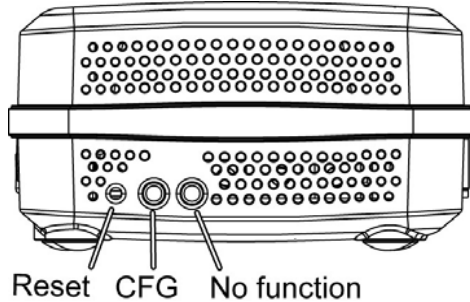
RECEIVER UNIT



LED Indicators			
LED	Color	Behavior	Indication
Power	Green	On	The LED will illuminate when the power is connected and the power switch is turned on.
		Off	The LED will be dark when the power switch is turned off.
		Blinking	Unit in sleep mode.
Link	Blue	On	The LED will illuminate to indicate which RX is being selected.
		Off	If the pairing LED is off, user has to reset both devices.
		Blinking	Waiting for link.
Weak	Green	On	Indicates the signal is weak, the Strong LED will be off
		Off	No link or no signal
Strong	Green	On	Indicates the signal is strong, the weak LED will be on
		Off	Signal weak, the weak LED will be on

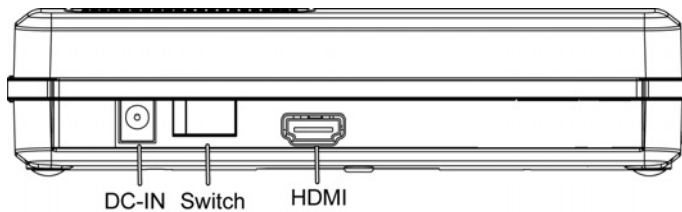
DEVICE OVERVIEW

TRANSMITTER AND RECEIVER SIDE PANEL VIEW



Buttons	
Reset	Press the “RESET” button to reset the system, the system will run through a full reset which takes approximately 5 seconds.
CFG (Configure)	This button is only for manufacturer usage.

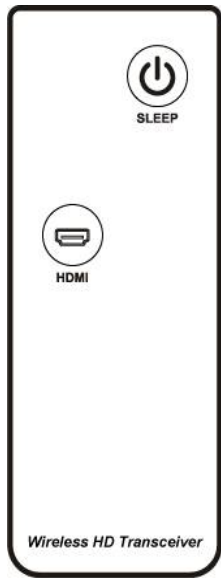
TRANSMITTER AND RECEIVER REAR PANEL VIEW



Configuration	
DC-IN	Connect the power adapter to the power DC-IN port.
Switch	Switch the button to turn on or off the power supply.
HDMI	Connect HDMI cable one end to this HDMI port and the other to the DVD player or computer HDMI port or DTV HDMI port.

DEVICE OVERVIEW

REMOTE CONTROL



Remove the plastic film before using the remote control

Remote Controller

Sleep

The devices will be ready while this button clicking.

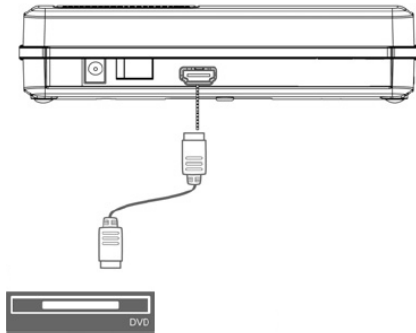
HDMI

Switch HDMI port, it is only for multi-HDMI port model.

DEVICE INSTALLATION

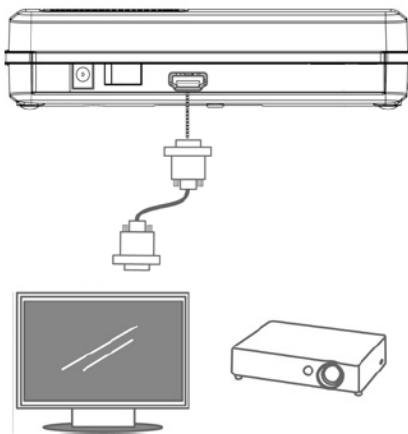
Step 1

Connect the 60GHz WirelessHD Transmitter with an HDMI cable to an input source, such as a computer or a DVD player.



Step 2

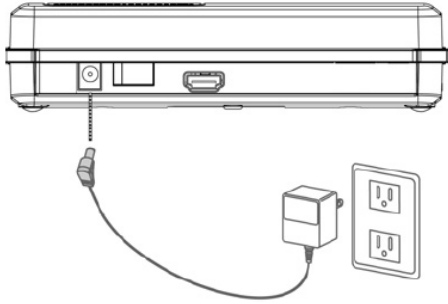
Connect the 60GHz WirelessHD Receiver with an HDMI cable to a display device, such as a monitor or projector.



DEVICE INSTALLATION

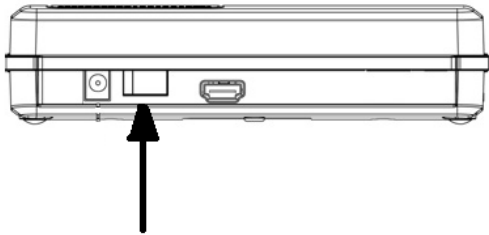
Step 3

Connect both power adapters of the Transmitting and Receiving units to outlets.



Step 4

Turn on the power of both the Transmitter and Receiver units.

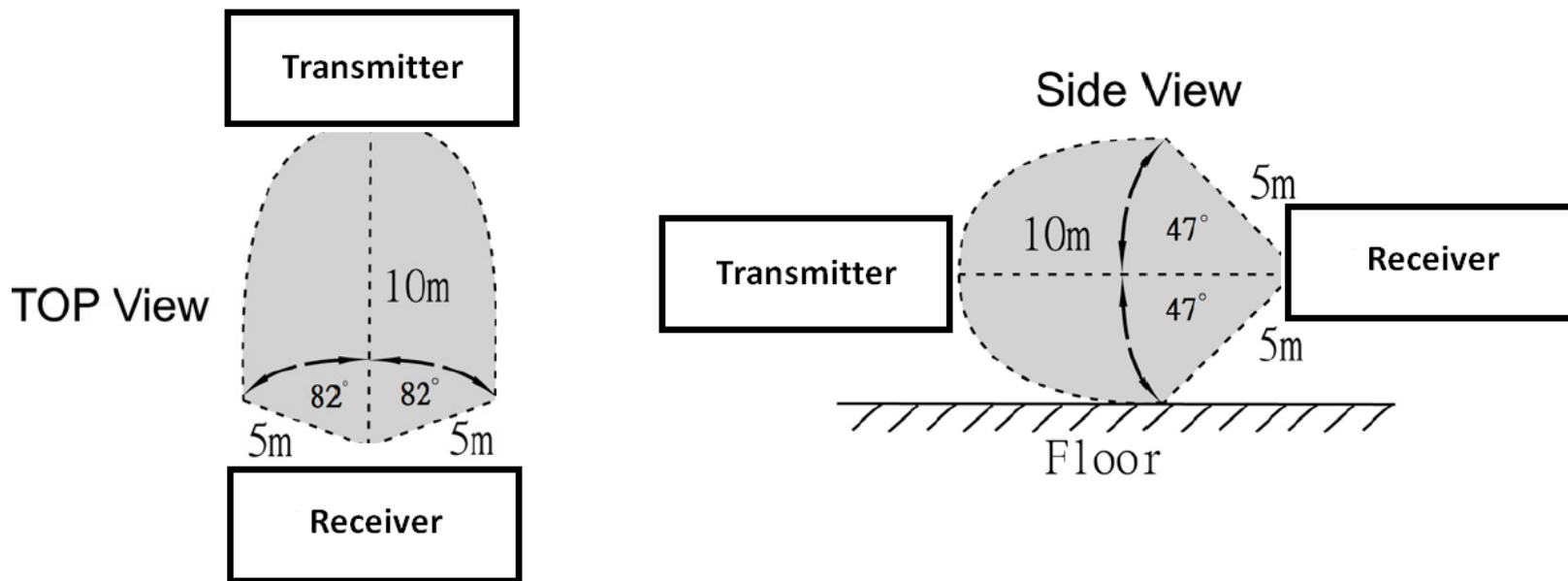


DEVICE INSTALLATION

Step 5

After you have finished the above set up steps, the units will be ready to transmit media. You can power on your source and display device and begin use.

Please note the below diagram for recommended product placement in a room set-up:



TROUBLESHOOTING

The following are some things you can try if you are not getting any or getting poor picture and sound.

- ❖ Try moving the units closer together making sure they are level with and facing each other
- ❖ Check all audio and video equipment and make sure correct inputs are selected and all connections are secure
- ❖ Try lowering the video resolution on your source device to isolate possible bandwidth issue
- ❖ Make sure you are only using the power adapters that came with the units as changing out may have different specifications not suitable for operating the units.
- ❖ Make sure the power switch on the units is in the “on” position

TECHNICAL SPECIFICATIONS

Standards	WirelessHD, HDMI(V1.3 with Deep color)
Frequency	60 GHz
Input/ Output Interface	HDMI interface
Antenna Type	36 Antenna Array (Integrate Ceramic)
Range	10 meters inroom usage,
AV Port	Transmitter : 1 Port (CEC pass through) Receiver : 1 Port (CEC pass through)
Physical Specifications	Weight: 367g±10g Dimension: L=187mm / W=85mm / H=44.8mm
Adapter Power	AC 90-230V @ 60Hz input, DC 12V 1.5A
LED Indicators	Transmitter: Four LEDs display, power, link indicator, signal Strength indication Receiver : Four LEDs display, power, link indicator, signal Strength indication
Operating Environment (Total System)	Operating Temperature: 0 ~ 40 ambient temperature Storage Temperature: -30 ~ 70 Operating Humidity: 10% to 90% (Non-condensing) Storage Humidity: 5% to 90% (Non-condensing)

TECHNICAL SPECIFICATIONS

VIDEO FORMAT

Auto detect 17 modes

TV mode	Deep Color	Vertical Refresh Rate		
Resolution		23.94 / 24 Hz	50 Hz	59.94 / 60 Hz
640X480I	•	X	X	•
640X480P	•	X	X	•
720X480P	•	X	X	•
720X576I	•	X	•	X
720X576P	•	X	•	X
1280X720P	•	X	•	•
1920X1080I	•	X	•	•
1920X1080P	Only support 12bit at 23.94 / 24 Hz and YUV4:2:2 12bit 60Hz	•	•	•
VESA mode	Vertical Refresh Rate			
Resolution	60 Hz			
640 X 480	•			
800 X 600	•			
1024 X 768	•			
1280 X 1024	•			

TECHNICAL SPECIFICATIONS

AUDIO FORMAT

Smple rate (256 Fs)	32 kHz	44.1 kHz	48 kHz	88.2 kHz	96 kHz	176.4 kHz	192 kHz
LPCM 2ch	•	•	•	•	•	•	•
LPCM 8ch	•	•	•	•	•	X	X
AC3 (Dolby) 2ch~6ch	X	X	•	X	X	X	X
DTS 2ch~6ch	X	X	•	X	X	X	X

FCC STATEMENT

FCC RF Exposure Statement

This equipment complies with FCC radiation exposure limits set forth for an uncontrolled environment. This equipment should be installed and operated with minimum distance 20 cm between the radiator and your body. This transmitter must not be co-located or operating in conjunction with any other antenna.

FCC Part 15 Class B Statement

This device complies with Part 15 of the FCC Rules. Operation is subject to the following two conditions: (1) this device may not cause harmful interference, and (2) this device must accept any interference received, including interference that may cause undesired operation.

This equipment has been tested and found to comply with the limits for a Class B digital device, pursuant to Part 15 of the FCC Rules. These limits are designed to provide reasonable protection against harmful interference in a residential installation. This equipment generates uses and can radiate radio frequency energy and, if not installed and used in accordance with the instructions, may cause harmful interference to radio communications. However, there is no guarantee that interference will not occur in a particular installation. If this equipment does cause harmful interference to radio or television reception, which can be determined by turning the equipment off and on, the user is encouraged to try to correct the interference by one or more of the following measures:

- Reorient or relocate the receiving antenna.
- Increase the separation between the equipment and receiver.
- Connect the equipment into an outlet on a circuit different from that to which the receiver is needed.
- Consult the dealer or an experienced radio/TV technician for help.

CABLES TO GO™ WARRANTY STATEMENT

At Cables To Go, we want you to be totally confident in your purchase. That is why we offer a one year warranty on this device. If you experience problems due to workmanship or material defect for the duration of this warranty, we will repair or replace this device. To request a Return Merchandise Authorization (RMA) number, contact customer service at 1-800-293-4970 or www.cablestogo.com.



Cables To Go
3555 Kettering Blvd.
Moraine, OH 45439
1-800-826-7904
www.cablestogo.com

IMPORTANT SAFETY INFORMATION

! Do not plug the unit in any outlet that does not have enough current to allow the device to function. Refer to the specifications in this manual for power level of the unit.

! Liquid:

If this unit or its corresponding power adapter has had liquid spilled on or in it, do not attempt to use the unit. Do not attempt to use this product in an outdoor environment as elements such as rain, snow, hail, etc. can damage the product.

! In case of a storm, it is recommended that you unplug this device from the outlet.

! Avoid placing this product next to objects that produce heat such as portable heaters, space heaters, or heating ducts.

! THERE ARE NO USER SERVICEABLE PARTS

Do not attempt to open this product and expose the internal circuitry. If you feel that the product is defective, unplug the unit and refer to the warranty information section of this manual.

For more information on this product or to check for updated drivers, manuals or frequently asked questions please visit our website.

www.cablestogo.com



VER. 1.0.3.22.10