



**USER GUIDE**  
WIRELESS AUDIO DEVICE ADAPTER

Model: 29595

# TABLE OF CONTENTS

Introduction.....	2
Features.....	3
System Requirements.....	4
Package Contents.....	5
Device Overview.....	6
Software/Device Installation.....	7
Frequently Asked Questions.....	12
Technical Specifications.....	13
Cables To Go One Year Warranty.....	14
Important Safety Information.....	15
Appendix	
Association with other devices.....	16
Cable Association Procedure.....	17
PIN Association Procedure.....	19
PIN Change Procedure.....	21

# INTRODUCTION

Thank you for purchasing the TruLink™ Wireless Audio Device Adapter. When paired with a Certified Wireless USB Host Adapter, enables wireless streaming of audio from your computer to a sound system, projector or television. Ultra-Wide Band technology enables secure, in-room wireless connectivity at distances up to 30 feet between the computer and the audio device. Wireless audio provides an effective solution at home, in a classroom, or in a conference room. **We recommend that you read this manual thoroughly and retain for future reference.**

Note: Use of this product requires an existing Wireless USB Host Adapter (#29594, #29596, or #29578)

# FEATURES

- ❖ In-room wireless connectivity up to 30 feet
- ❖ Audio conversion from USB to 3.5mm stereo
- ❖ Up to six computers can share one wireless audio device, or one computer can stream audio to as many as six audio devices\*
- ❖ Ultra-Wide Band operates in the frequency range of 3.1GHz to 4.8GHz (WiMedia™ Band Group 1)
- ❖ Certified Wireless USB 1.0™ compliant
- ❖ WiMedia 1.0 MAC & 1.1 PHY compliant

\* Requires the purchase of additional USB Host Adapters or Audio Device Adapters

# SYSTEM REQUIREMENTS

- ❖ Microsoft® Windows® XP 32-bit with Service Pack 3 or higher
- ❖ or Microsoft® Vista® 32-bit/64-bit
- ❖ Certified Wireless USB host adapter for your computer (Not included)

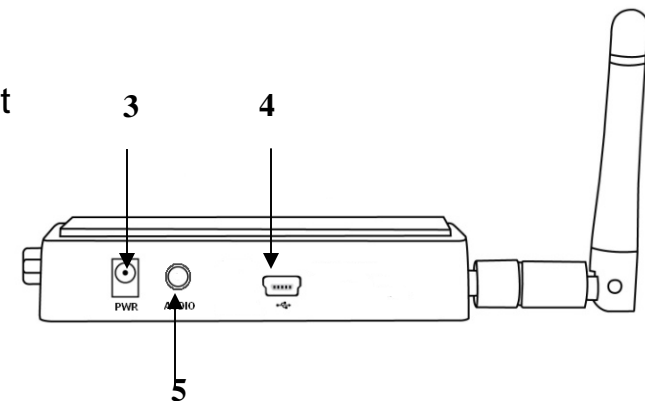
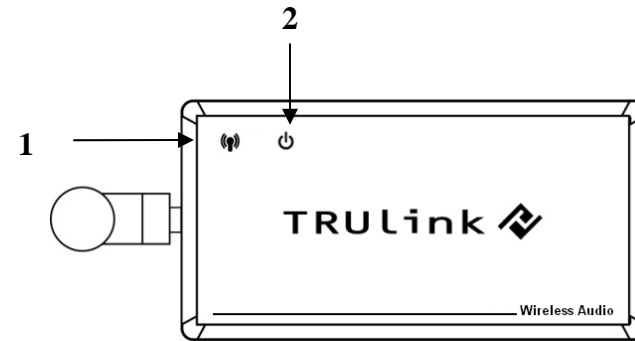
# PACKAGE CONTENTS

- ❖ Wireless Audio Device Adapter for your audio device
- ❖ One (1) Dipole Antenna
- ❖ 3ft USB A Male/Mini-B Male Cable
- ❖ One (1) Power Adapter (cord approx. 4ft)
- ❖ Quick Start Guide
- ❖ Driver CD w/Electronic User Guide

# DEVICE OVERVIEW

## WIRELESS AUDIO DEVICE ADAPTER

1. Activity Indicator
  - LED is solid when display cable is connected.
  - LED is blinking when data is being transferred.
2. PWR: Power Indicator
  - LED is solid when power is applied.
3. PWR plug
  - Power adapter socket
4. USB connector
  - In wireless mode, this connector is used for cable association
  - In wired mode, this connector is used for wired operation
5. 3.5mm Stereo Audio Input
  - Connect your speakers or AV receiver to this input to output audio



# SOFTWARE/DEVICE INSTALLATION

## STEP 1 (IF NECESSARY)-DRIVER INSTALLATION FOR THE WIRELESS USB HOST ADAPTER (SOLD SEPARATELY)

1. Install your Wireless USB host adapter if you have not already done so. Please refer to your Wireless USB host adapter instructional guide or you may try to contact the manufacturer for the proper driver installation process.
2. Your Wireless USB host software utility may create an icon in your icon tray. Double-click the icon on the icon tray at the bottom of your desktop to open the utility. Below is an example of the Wireless USB Manager utility icon.



**Figure: Wireless USB Manager**

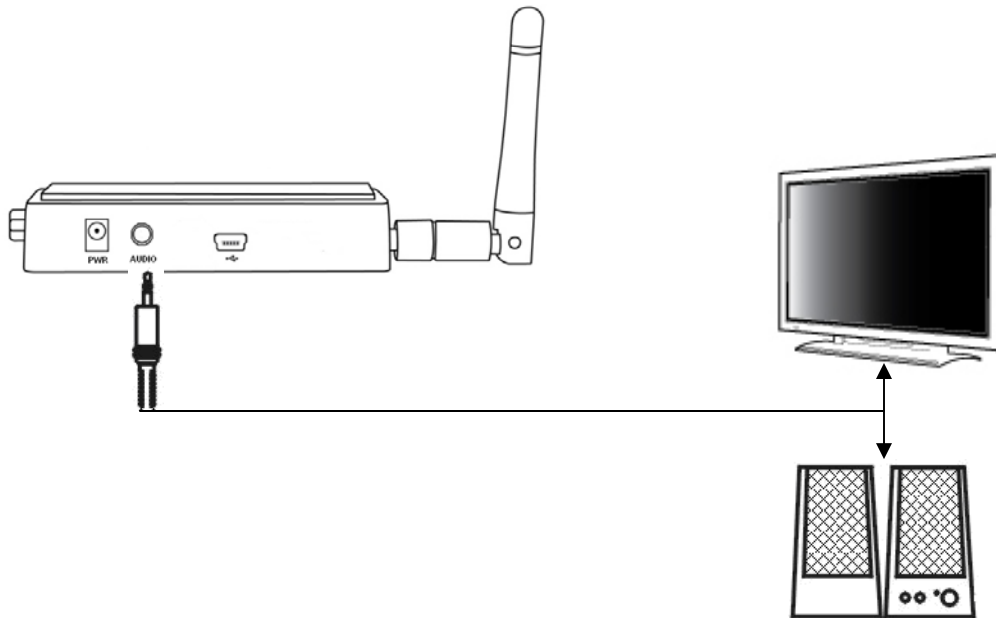
The Wireless USB software utility will open and instruct you on what to do next.



## SOFTWARE/DEVICE INSTALLATION

### STEP 2-CONNECT THE WIRELESS AUDIO DEVICE ADAPTER

1. Connect the Wireless Audio Device Adapter 3.5mm Stereo Audio Input to your PC audio speakers, sound system, projector or television using the appropriate cable or adapter types.



## **SOFTWARE/DEVICE INSTALLATION**

### **STEP 3 – DEVICE INSTALLATION FOR THE TRULINK WIRELESS AUDIO DEVICE ADAPTER**

The TruLink Wireless Audio Device Adapter supports two association methods: Cable Association and PIN Association. Only one of these methods is necessary to complete installation. The instructions below describe steps for both methods. Please note that PIN Association is only recommended if using with a TruLink Wireless USB Host Adapter (part number: 29578) to ensure compatibility.

#### **Do the following before installation:**

- ❖ Make sure the antenna is connected to the Wireless Audio Device Adapter.
- ❖ Plug the supplied power adapter into your Wireless Audio Device Adapter.
- ❖ Be certain your Wireless USB host adapter is connected to the PC and necessary software has been loaded.

#### **CABLE ASSOCIATION**

1. Using the supplied USB cable, connect the USB mini-b connector to the Wireless Audio Device Adapter USB mini-B port, and the USB A connector on the cable to an available USB port on your PC.
2. A cable association window pop-up will ask you if you would like to accept the association. Accept the association and unplug the USB cable.
3. Windows will automatically install the appropriate Wireless Audio Device Adapter drivers and you will get another successful install message pop up verifying successful installation. The installation is now finished and your Wireless Audio is ready for use.

## **SOFTWARE/DEVICE INSTALLATION**

### **PIN ASSOCIATION**

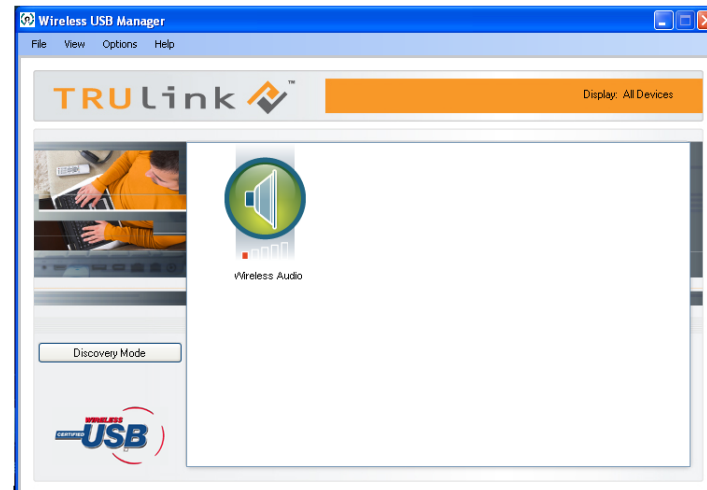
For PIN Association, it is strongly recommended that you use a TruLink Wireless USB Host Adapter, as some other Wireless USB host adapters may not support the PIN feature. To PIN associate with the TruLink Wireless USB Host Adapter, please do the following:

1. Make sure the Wireless Audio Device Adapter Wireless/Wired switch is on Wireless.
2. Open the Wireless USB Manager, and click the Discovery button. The host adapter will look for the Wireless Audio Device Adapter.
3. Once the Wireless Audio Device Adapter is located, you will get the PIN Association dialog box that prompts you to enter the PIN of the device. The default PIN of the TruLink Wireless Audio Device Adapter is "1234". This number may be changed and the procedure is described in the Appendix section of this guide. Enter the PIN and then click the Accept Association button.
4. The necessary Wireless Audio Device Adapter drivers will install automatically. The Audio Activity Indicator will turn on, and you are now ready to use the adapter

## SOFTWARE/DEVICE INSTALLATION

### VERIFY CONNECTION

To verify connection from Cable or PIN Association, you can open the Wireless USB host manager utility and you should have an icon displayed representing the TruLink Wireless Audio Device Adapter.



**Figure: Wireless Audio Adapter Connected**

# FREQUENTLY ASKED QUESTIONS

- 1. My Wireless USB Host Adapter is plugged into my computer and my Wireless Audio Adapter is powered but I do not hear anything out of my speakers. What's wrong?**

Check the Wireless USB Manager to see if there is an icon for your Wireless Audio Adapter. If there is no icon, try unplugging and then plugging in your Wireless USB Host Adapter to reload the Wireless Audio Adapter.

If you see an icon that is grayed out in the Wireless USB Manager, try resetting the Wireless Audio Adapter by unplugging its power and plugging it back in. You should see the icon in the Wireless USB Manager appear in color when it is connected.

Still not connected?

If you are using an audio source such as an A/V receiver, make sure the receiver is on the right input channel.

# TECHNICAL SPECIFICATIONS

Audio Output	2 CH DAC output
Dynamic Range	95db, THD+N -85db ~ 91db
Sample Rate	8KHz, 16KHz, 44.1KHz, to 48KHz with 16-bit resolution
Operating System Support	Microsoft XP 32-bit; Microsoft Vista 32-bit/64-bit
Operating Range	Up to 30 feet (10 meters)
PHY Data Rate	53.3Mbps, 80Mbps, 106.6Mbps, 160Mbps, 200Mbps, 320Mbps, 400Mbps, 480Mbps
Frequency	3.1GHz to 4.8GHz (WiMedia Band Group 1)
Number of Channel	7 Channels (3 FFI + 4 TFI)
RF Modulation Type	QPSK/DCM
Interface	USB 2.0 mini-B female for wired association; 3.5mm stereo audio input
Security	Highly secured wireless connection (AES 128-bit)
USB Specification	Certified Wireless USB 1.0
Association Mode	Cable Association and Pin Association
Antenna Type	Omni directional
Power Adapter	5V, 2A; 100-240VAC

# CABLES TO GO™ WARRANTY STATEMENT

At Cables To Go, we want you to be totally confident in your purchase. That is why we offer a one year warranty on this device. If you experience problems due to workmanship or material defect for the duration of this warranty, we will repair or replace this device. To request a Return Merchandise Authorization (RMA) number, contact customer service at 1-800-293-4970 or [www.cablestogo.com](http://www.cablestogo.com).



Cables To Go  
3555 Kettering Blvd.  
Moraine, OH 45439  
1-800-826-7904  
[www.cablestogo.com](http://www.cablestogo.com)

# IMPORTANT SAFETY INFORMATION

**!** Do not plug the unit in any outlet that does not have enough current to allow the device to function. Refer to the specifications in this manual for power level of the unit.

**! Liquid:**

If this unit or its corresponding power adapter has had liquid spilled on or in it, do not attempt to use the unit. Do not attempt to use this product in an outdoor environment as elements such as rain, snow, hail, etc. can damage the product.

**!** In case of a storm, it is recommended that you unplug this device from the outlet.

**!** Avoid placing this product next to objects that produce heat such as portable heaters, space heaters, or heating ducts.

**! THERE ARE NO USER SERVICEABLE PARTS**

Do not attempt to open this product and expose the internal circuitry. If you feel that the product is defective, unplug the unit and refer to the warranty information section of this manual.

©2009.Cables To Go is a trademark of Cables To Go. Microsoft and XP/Vista are either registered trademarks or trademarks of Microsoft Corporation in the United States and/or other countries. This product is not endorsed or manufactured by Microsoft Corporation.



# APPENDIX

## CABLE ASSOCIATION WITH OTHER DEVICES

### ASSOCIATION CONCEPT

In order to establish a secure wireless connection, both your Wireless USB host adapter and the Wireless Audio Device Adapter must exchange information about each other. This is done via cable or PIN association.

### ASSOCIATION PROCESS

If you purchase additional Certified Wireless USB Host Adapters, such as the TruLink Wireless USB Host Adapter, you will need to associate them with your Wireless Audio Device Adapter. Refer to your Wireless USB device documentation for more information on its settings for association or try contacting the product's manufacturer for assistance if needed.

## **APPENDIX**

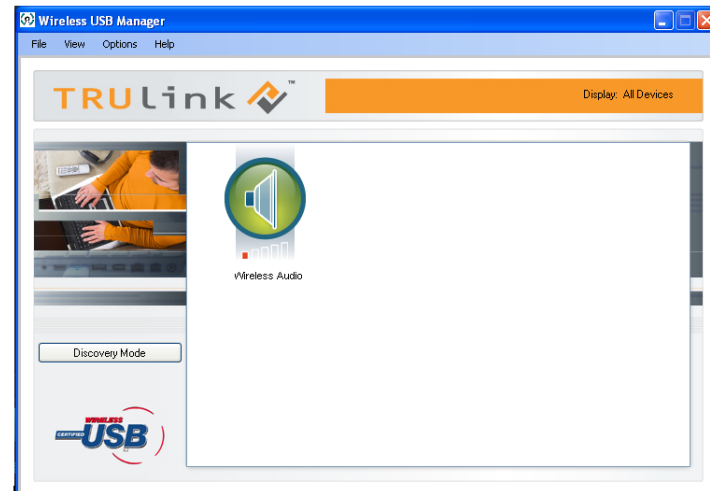
### **CABLE ASSOCIATION PROCEDURE**

Cable association steps: Examples/Figures shown used with the association of the TruLink Wireless Audio Device Adapter when used with the TruLink Wireless USB Host Adapter. This process will vary by manufacturer of your Wireless USB host adapter.

1. Make sure that the Wireless USB host adapter utility is running. Check your Windows tray for the Wireless USB Manager icon (Figure: Wireless USB Manager p.10).
2. Plug in the power adapter for your TruLink Wireless Audio Device Adapter.
3. Connect the USB cable between an available USB port on your computer and your Wireless Audio Device Adapter.
4. Complete cable association by pressing the “Accept Association” button when prompted. Remove the USB cable from the Wireless Audio Device Adapter and computer.

## APPENDIX

Associated Certified Wireless USB Devices will appear as icons in the Wireless USB Manager. When the Certified Wireless USB Devices are connected, the icon will appear in color (Figure: Wireless Audio Adapter Connected).



**Figure: Wireless Audio Adapter Connected**

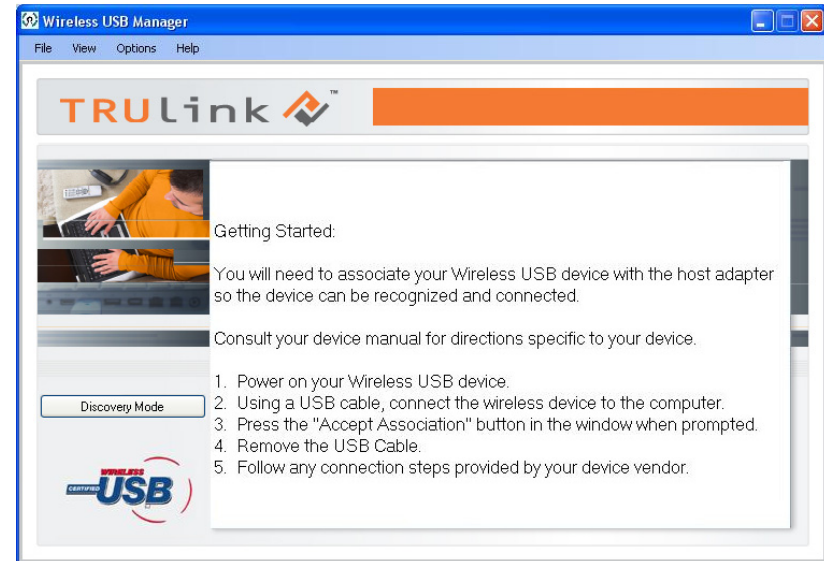
Note: You may rename or delete the Wireless USB Device by right-clicking the device icon in the Wireless USB Manager and select “rename” or “delete”.

## APPENDIX

### PIN ASSOCIATION PROCEDURE

PIN association steps: Examples/Figures shown used with the association of the TruLink Wireless Audio Device Adapter when used with the TruLink Wireless USB Host Adapter.

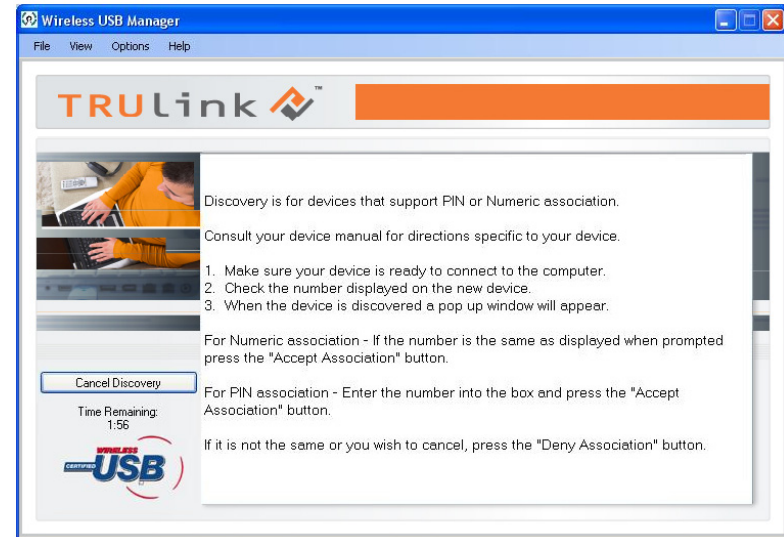
1. Make sure your Wireless Audio Device Adapter is powered on and your Wireless USB host adapter is connected to your computer. Click the “Discovery Mode” button (Figure: Discovery Mode Screen).



**Figure: Discovery Mode Screen**

## APPENDIX

2. The Wireless USB host will search for the Wireless Audio Device Adapter within its range. Note that this operation can take up to 20 seconds (Figure: Discovery Mode in Process).



**Figure: Discovery Mode in Process**

3. Once the Wireless USB host adapter and the Wireless Audio Device Adapter have exchanged security information, a PIN Association dialog will appear.

## **APPENDIX**

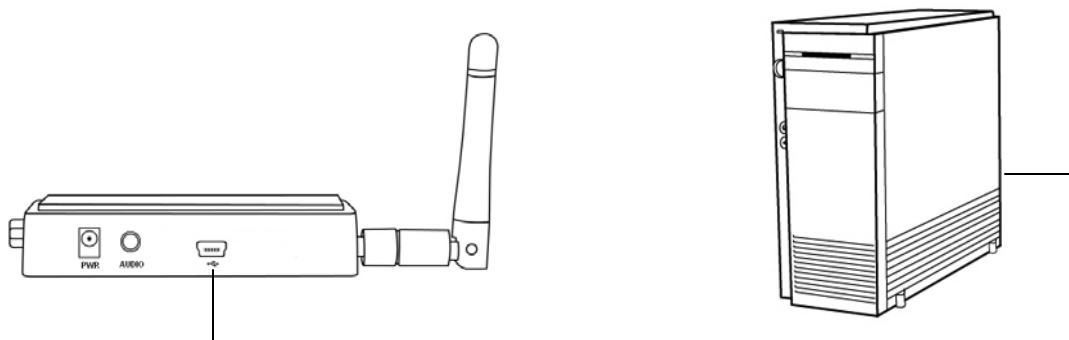
4. Enter the PIN of the Wireless Audio Adapter (4-digit PIN) and click Accept Association. The Wireless Audio Adapter and Wireless USB Host Adapter are now associated and ready for operation.

### **PIN CHANGE PROCEDURE**

The default PIN setting for the Wireless Audio Device Adapter is “1234”. This section gives you the instructions to change the PIN to another 4-Digit value.

**IMPORTANT:** The application used to change the PIN is not supported in Vista 64bit.

1. Make sure your Wireless USB host adapter is not connected to your computer.
2. Connect the USB cable between your Wireless Audio Adapter and any available USB port on your computer.



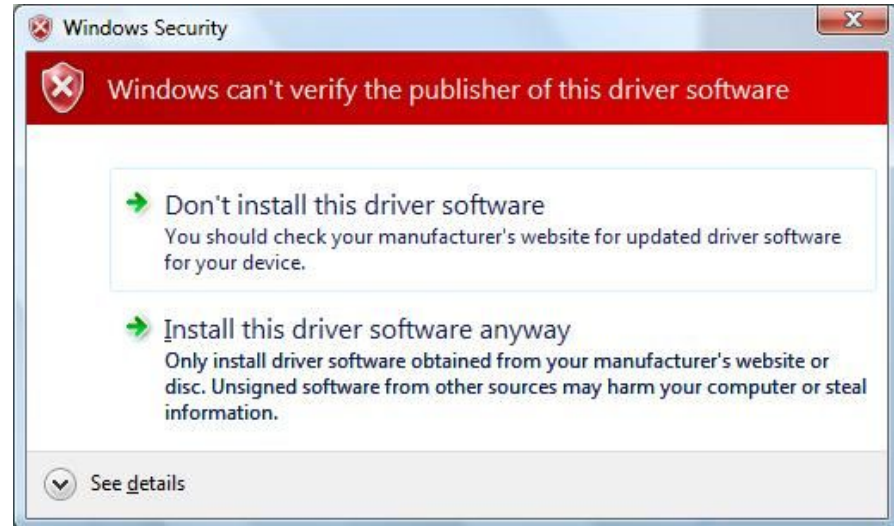
## **APPENDIX**

3. Open/Launch the application “Pin Update” (C:\Program Files\Wireless USB Manager\Utility\PINUpdate; “C” representing your local drive location, and this may vary based on your settings), and the following dialog will appear:



## APPENDIX

4. Click Install this driver software anyway.



5. To change pin, click "Change PIN"





## APPENDIX

6. Enter a 4-Digit PIN (0-9) and click OK.



7. If your PIN is valid, a window displaying your new PIN will appear. Press OK. Your PIN has been successfully changed. **IMPORTANT:** please exit the Trulink PIN Utility application (Exit button as shown on figure in step 5) before unplugging the USB cable between your Wireless AUDIO Adapter and your PC.



For more information on this product or to check for updated drivers, manuals or frequently asked questions please visit our website.

[www.cablestogo.com](http://www.cablestogo.com)



VER. 1.0.6.19.09